



238 Pillow Street  
Butler, PA 16001  
724-283-4681  
724-283-5939 (fax)  
www.bwieagle.com

# PRODUCT INFORMATION BULLETIN

## OPTIMA 2 Dual Channel Critical Speed Switch MODEL 11-7100HS-2000

### DESCRIPTION

The model 11-7100HS-2000 is one in a series of critical speed switches that monitor speed and detect motion in all types of machinery and apparatus. The 11-7100HS-2000 monitors speed ranges of 200 - 2000 RPMs. Models are available to meet any application requirement for underspeed, overspeed or zero speed detection. The OPTIMA 2 utilizes a non-contacting proximity sensor that may be remotely located up to two miles from the control unit. Its rugged NEMA enclosure, with up-front display, is well-suited to meet the environmental challenges of any industry. Ideal for conveyors, crushers, fans, motors and other rotating apparatus.

### INSTALLATION

Disconnect AC power before proceeding with installation

1. Make the following connections:
  - A. Connect power cable to 120 VAC.
  - B. Connect control cables to appropriate terminals in the motor control circuit. (See TYPICAL BELT STARTER)
  - C. Connect the EAGLE PROX SENSORS to the connectors on the OPTIMA control unit.
- 2.. Install sensors at roller or shaft. See sensor installation sheet.

### SETUP AND TESTING

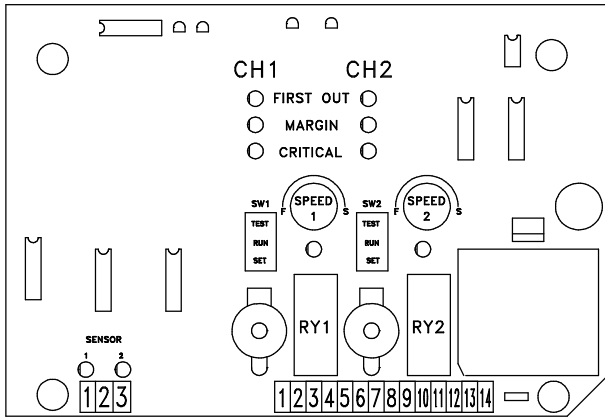
Final calibration should be performed with the belt loaded and running at normal speed.

1. Turn SPEED 1 control CCW until it stops. (Approximately 7 o'clock)
2. Hold TEST/SET switch (SW1) in the SET position to energize relay (RY1).
3. Turn SPEED 1 control CW SLOWLY, until CRITICAL LED (LED 3) stays on continuously.
4. Continue turning SPEED 1 control until MARGIN LED (LED 4) begins to blink.\*\*
5. After the RELAY STATUS LED (LED 1) is illuminated, return the TEST/SET switch (SW1) to the RUN (center) position.
6. A momentary TEST position is provided to simulate the loss of sensor signal which releases the control relay.
7. Repeat steps 1 through 6 for calibration of Channel 2.

\*\*\* Using the above calibration, the control relay will drop out at a machinery slow down of approximately 15%. For a 20% margin, adjust the SPEED control so that the MARGIN LED just comes on steady. For a 10% margin, adjust the SPEED control CCW so that the MARGIN LED has just gone out. If a margin greater than 20% is desired, consult BWI Eagle, Inc. For ALL speed adjustments, the CRITICAL SPEED LED must stay on continuously.



### CONTROLS AND INDICATORS



### TERMINAL STRIP WIRING

The OPTIMA unit is shipped with the control cables installed on the normally open contacts. The control cables should be installed directly in the series circuit driving the motor control relay. (See TYPICAL BELT STARTER) The additional contacts supplied on the printed circuit card can be used, but the First-Out capability is only installed on the one set of normally open contacts per channel.

CHANNEL 1		CHANNEL 2		120 VAC	
1	N/C	7	N/C	13	120 VAC
2	C (1 <sup>ST</sup> OUT)	8	C (1 <sup>ST</sup> OUT)	14	120VAC
3	N/O (1 <sup>ST</sup> OUT)	9	N/O (1 <sup>ST</sup> OUT)		
4	N/O	10	N/O		
5	C	11	C		
6	N/C	12	N/C		

# OPTIMA 2

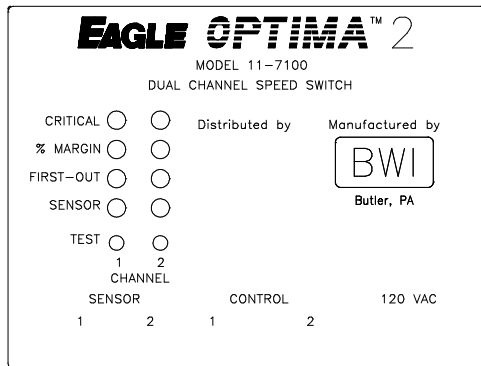
## Dual Channel Critical Speed Switch

### MODEL 11-7100HS-2000

### FIRST OUT OPERATION

The EAGLE OPTIMA "First Out" capability enables the user to visually see (by an LED indicator) if the slip switch relay contacts were the first to open. Once the belt is running and the control relay in the OPTIMA unit has energized, the First-Out indication (if activated) will extinguish. If the belt begins to slip and the OPTIMA unit shuts the drive down, the First-Out LED will illuminate. This LED will stay lit until the belt is restarted and the control relay in the Optima has energized. If R1, R2, or R3 (See TYPICAL BELT STARTER) would open, this would shut the drive down and also the slip switch contacts would open. But, the First-Out LED would not be illuminated. This would allow the user to see that the slip switch relay contacts were not the first to open and cause the shutdown.

### FRONT COVER INDICATORS



**CRITICAL SPEED LED** - Must be illuminated continuously to allow control relay to energize.

**MARGIN LED** - Indicates the percentage of slip the user has calibrated the unit for: (Out = 10%, Blinking = 15%, Solid = 20%)

**FIRST-OUT LED** - When illuminated, indicates that the OPTIMA unit has caused the shutdown.

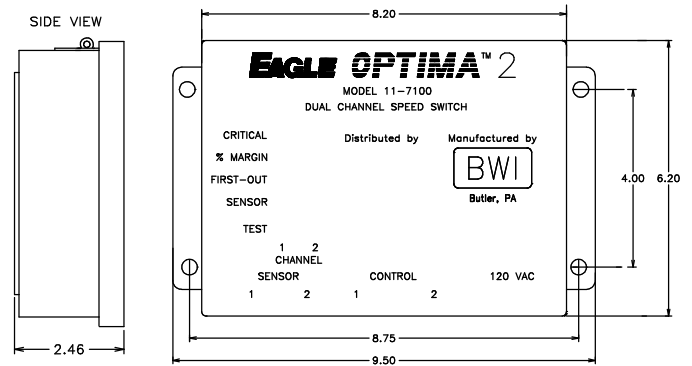
**SENSOR LED** - Pulses at the rate of speed being received by the sensor.

**TEST SWITCH** - When pushed, simulates a loss of sensor signal which will drop out the control relay.

### SPECIFICATIONS

AC Input	120 VAC 15 W
Fuse Protected	2 amp
Speed Range - Channel 1	200 - 2000 RPM
Channel 2	200 - 2000 RPM
Relay Contacts	DPDT 8 amp @ 120 VAC per channel
First-Out Current Range	17mA - 8 amps
Safety Delay	1 Second
Response Time	.25 Second or Less
Enclosure	NEMA 12 Standard

### DIMENSIONS



### REPLACEMENT AND OPTIONAL PARTS

DESCRIPTION	PART NO.
P.C. Board	11-7102HS-2000
Variable Reluctance Sensor, General Mount	10-7003
Relay	99-REL-0001
Strain Relief (Power Input)	99-CON-0011
Strain Relief (Control)	99-CON-0012

### TYPICAL BELT STARTER

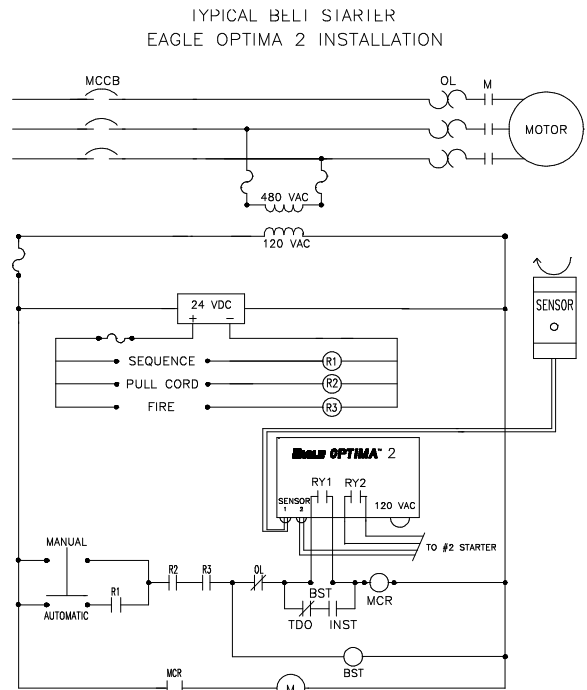


FIGURE 1