



238 Pillow Street
Butler, PA 16001
724-283-4681
724-283-5939 (fax)
www.bwieagle.com

PRODUCT INFORMATION BULLETIN

ONE-WAY Directional Counter 50 - 250 Pulse On Delay MODEL 22-5500

DESCRIPTION

The EAGLE ONE-WAY™ Directional Counter consists of a modular control unit and remote sensor. This unit is capable of detecting the direction of a rotating drum, shaft or conveyor roller. Typical applications would include conveyor belt tensioners, slope belts (roll-back detection), paper roll measuring, etc.

INSTALLATION

DISCONNECT AC power before proceeding with installation.

1. Mount the socket in the existing control panel or suitable protective enclosure.
2. Install EAGLE DIRECTIONAL PROX SENSOR at roller or shaft. See sensor installation section.
3. Make the following connections on the socket:

TERMINAL	CONNECTION
1	Sensor Input #1 - (White Wire)
2	Sensor Input #2 - (Green Wire)
3	Sensor Power (+) Red
4	Sensor Power (-) Black
5 - 6	120 VAC Power Input
7 - 8	Reset Input (120 VAC) (Momentary)
9	No Connection
*10	Relay - N/C
*11	Relay - Common
*12	Relay - N/O

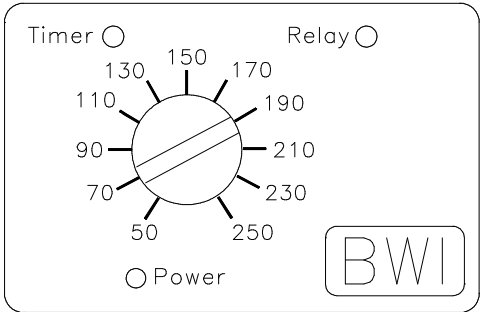
* Note - When power is applied to the unit, the relay will energize. The relay will de-energize when the count input is exceeded or power is removed.

SPECIFICATIONS

AC Input	120 VAC 8 W
Fuse Protected	1 Amp
Counter Range	50 - 250 Pulses (adjustable)
Relay Contacts	SPDT 5 amp @ 120 VAC
Watchdog Timer	9 Seconds
Reset	Momentary 120 VAC Input (N/O)
Enclosure	ABS Plastic



CONTROLS AND INDICATORS



POWER LED - Indicates that 120 VAC is applied to the unit.

TIMER LED - When pulsing, indicates that the timing/counting cycle is active.

RELAY LED - When illuminated, indicates the control relay is energized.

POTENTIOMETER - Adjust for desired delay (50 - 250 pulses)

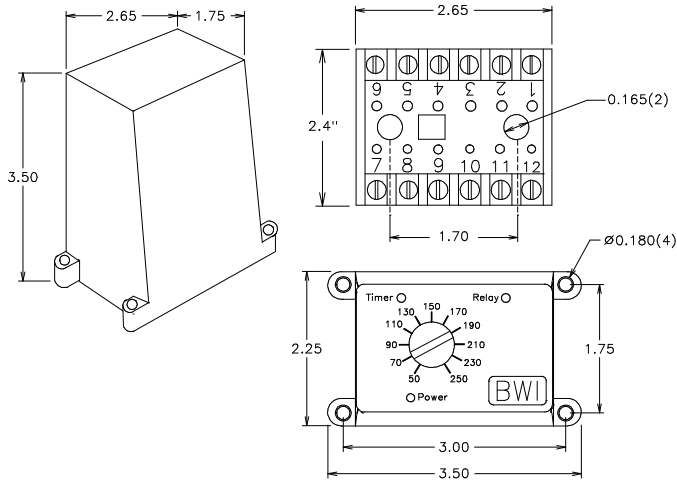
REPLACEMENT AND OPTIONAL PARTS

DESCRIPTION	PART #
Counter Module	22-5502
Mounting Socket	22-5503
Threaded PVC Directional Prox Sensor	10-7539

ONE-WAY
Directional Counter
50 - 250 Pulse On Delay
MODEL 22-5500

DIRECTIONAL SENSOR
Inductive Proximity Type
MODEL 10-7539

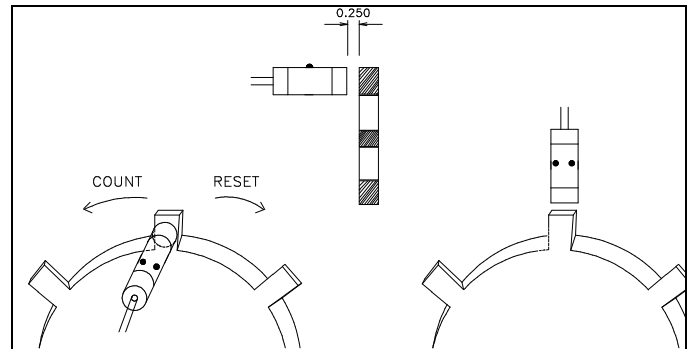
DIMENSIONS



INSTALLATION

1. Affix a metal target on the drum, shaft or roller to be monitored. Target can be an existing bolt head etc., provided the surface area of the target is a minimum of 1/2 inch. (Recommended size = .75 in. to 1.0 in.)
2. Adjust the sensor so the target(s) pass through the center area of the sensor face. (See Figure 1). When the sensor is properly aligned, the LED's on the sensor will illuminate while the target is in front of the sensor.
3. To change the direction of counting, reverse the sensor wires on Terminals 1 and 2 of the control module socket.
 Note: When sensor is installed on a belt tensioner system the **count** direction is described as "pay-in". The count will reset in the "pay-out" direction.

FIGURE 1



DOCUMENT DATE: 11-Aug-04



238 Pillow Street
 Butler, PA 16001
 (724) 283-4681
 Fax (724) 283-5939
www.bwieagle.com