



238 Pillow Street  
 Butler, PA 16001  
 724-283-4681  
 724-283-5939 (fax)  
 www.bwieagle.com

# PRODUCT INFORMATION BULLETIN

## TAC-SWITCH Critical Speed Switch MODEL 22-8800ALS SERIES

### BOTE APPROVAL

1207-90

### DESCRIPTION

The EAGLE TAC SWITCH 22-8800ALS Models are a series of low speed switches that monitor speed and detect motion to as slow as 1 RPM in all types of machinery and apparatus. Complete with ramp-up timer, The EAGLE TAC SWITCH utilizes a non-contacting proximity sensor that may be remotely located up to two miles from the control area. Enclosed in durable ABS plastic, the socket mounted control unit conveniently mounts inside an existing electrical panel or O.E.M control box. Ideal for conveyors, crushers, fans, motors and other rotating machinery applications.

### INSTALLATION

Disconnect AC power before proceeding with installation

1. Mount the TAC-SWITCH socket inside an existing control panel or other suitable protective enclosure
2. Make the following connections on the socket:

TERMINAL	CONNECTION
1	Sensor - Common (-)
2	Sensor - Positive (+)
3 - 4	No Connection
5 - 6	120 VAC
7	Relay - N/C (1)
8	Relay - Common (1)
9	Relay - N/O (1)
10	Relay - N/C (2)
11	Relay - Common (2)
12	Relay - N/O (2)

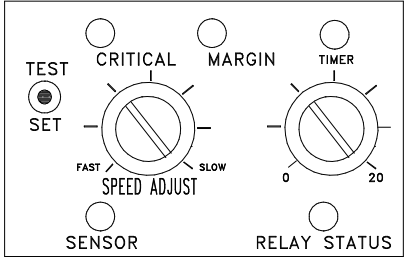
3. Install EAGLE PROXIMITY SENSOR at roller or shaft. See sensor installation section.

Note: When 120VAC is applied to the unit, the timer function will energize the control relay. After the time has elapsed, the relay will de-energize unless the belt is running at the set speed. To reset the timer, the 120VAC must be removed.



Model 22-8000 Shown

### CONTROLS AND INDICATORS



### SET UP AND TESTING

Final calibration should be performed with the belt loaded and running at normal speed.

1. Turn SPEED control CCW until it stops (approximately 7 o'clock)
2. Hold switch in set position to energize relay.
3. Turn SPEED control CW slowly until CRITICAL SPEED LED stays on continuously.
4. Continue turning SPEED control until MARGIN LED stays on continuously.
5. Turn SPEED control CCW until MARGIN LED begins to blink at the same rate as SENSOR PULSE LED. The CRITICAL SPEED LED must stay on continuously.
6. After RELAY STATUS LED is illuminated, return switch to RUN position (center)
7. A momentary TEST position is provided to simulate the loss of sensor signal which releases the control relay
8. Set timer for desired ramp-up period.

# TAC-SWITCH

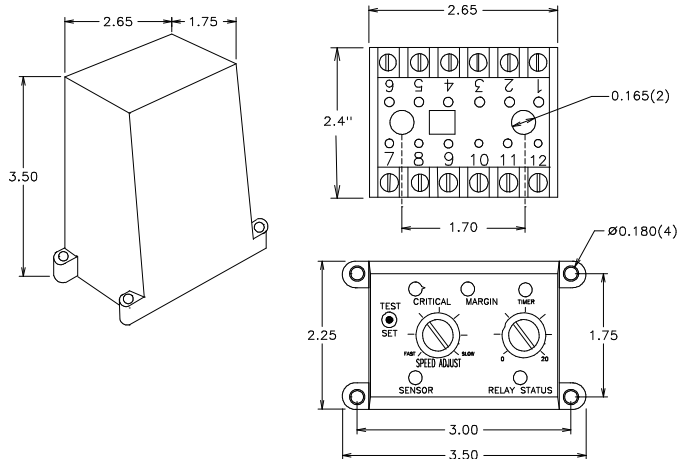
Critical Speed Switch

**MODEL 22-8800ALS SERIES**

## SPECIFICATIONS

AC Input	120VAC 8W
Fuse Protected	1 amp
Speed Ranges	
ALS-1	1 - 30 RPM
ALS-6	6 - 60 RPM
ALS-15	15 - 100 RPM
ALS-25	25 - 200 RPM
Relay Contacts	DPDT 5 amp @ 120VAC
Safety Delay	1 Second
Response Time	1 Second or Less
Enclosure	ABS Plastic

## DIMENSIONS



## REPLACEMENT AND OPTIONAL PARTS

Control Module	22-8802ALS-1,6,15, OR 25
Mounting Socket	22-8003
Threaded PVC Proximity Sensor	10-7139
I.S. Threaded PVC Proximity Sensor	10-7039
I.S. Zener Barrier	10-7072

## TYPICAL BELT STARTER

TYPICAL BELT STARTER  
22-8800 INSTALLATION

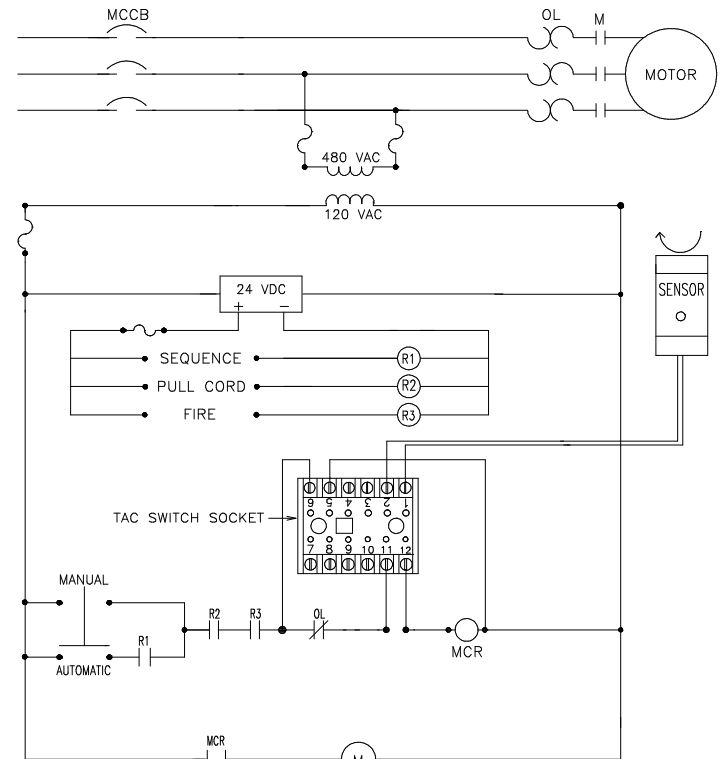


FIGURE 1

DOCUMENT DATE: 17-Apr-02



238 Pillow Street  
Butler, PA 16001  
(724) 283-4681  
Fax (724) 283-5939  
[www.bwieagle.com](http://www.bwieagle.com)