



238 Pillow Street  
Butler, PA 16001  
724-283-4681  
724-283-5939 (fax)  
www.bwieagle.com

# PRODUCT INFORMATION BULLETIN

## AIR-EAGLE® XLT PLUS High Power 900MHz RF Transmitter MULTI CONTACT INPUT MODEL 46-1400-12VDC

### DESCRIPTION

The model 46-1400-12VDC, AIR-EAGLE XLT PLUS TX is a four contact input R.F. transmitter designed to transmit unique signals to the model 46-2000 AIR-EAGLE XLT PLUS RECEIVER which can be located up to 1 mile (\*) away. This model comes equipped with a terminal strip for ease of interfacing with any external **dry contact input** devices such as tilt switches, flow switches, speed switches etc. The AIR-EAGLE XLT PLUS has a transmit output power of 1 watt for dramatic improvement of signal strength through and around buildings and other obstacles.  
(\*) – Longer distances can be obtained with external antennas

### PC BOARD SET-UP INFORMATION

Make the following connections on the PC Board Terminal Strip:

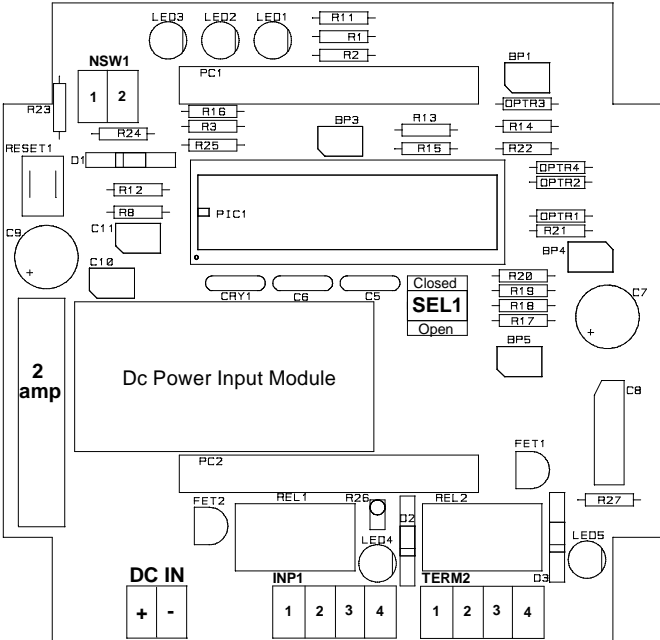
DC INPUT TERMINAL STRIP (DC IN)	
Terminal 1	Positive (+) 12VDC INPUT
Terminal 2	Negative (-) 12VDC INPUT

INPUT 1 TERMINAL STRIP (INP1)	
Terminal 1	CH1 Dry Contact Input (+)
Terminal 2	CH1 Dry Contact Input (Common)
Terminal 3	CH2 Dry Contact Input (Common)
Terminal 4	CH2 Dry Contact Input (+)

I/O TERMINAL STRIP (TERM2)	
Terminal 1	CH3 Dry Contact Input (+)
Terminal 2	CH3 Dry Contact Input (Common)
Terminal 3	CH4 Dry Contact Input (+)
Terminal 4	CH4 Dry Contact Input (Common)

NETWORK SWITCH TERMINAL STRIP (NSW1)	
Terminal 1	Not Used On This Model
Terminal 2	Not Used On This Model

NETWORK SWITCH CONFIGURATION OPTIONS (SEL1)			
SEL 1 (SW1 & 2):	Network Address	SW1	SW2
USED TO SET NETWORK FREQUENCY	#1	OPEN	OPEN
	#2	CLOSED	OPEN
	#3	OPEN	CLOSED
	#4	CLOSED	CLOSED



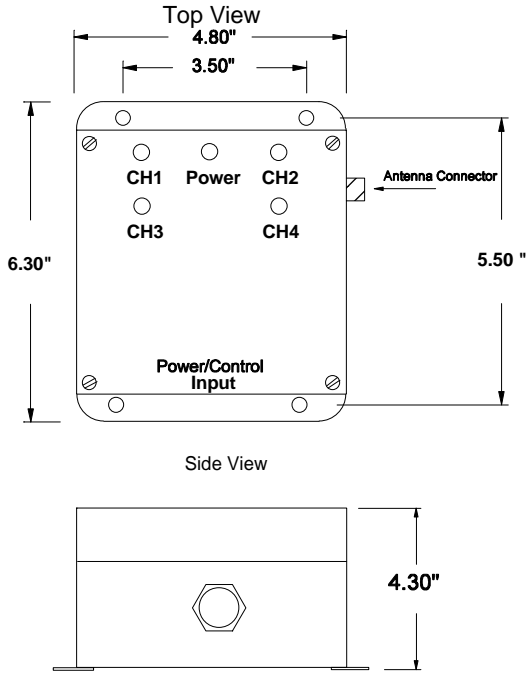
# AIR-EAGLE<sup>®</sup> XLT PLUS

## High Power 900MHz RF Transmitter

### MULTI CONTACT INPUT

## MODEL 46-1400-12VDC

### DIMENSIONS & INDICATORS



- CH1 LED** - Red LED illuminates continuously when the contact input for Channel 1 is closed.
- POWER LED** – Green LED illuminates continuously while power is applied to the transmitter.
- CH2 LED** - Red LED illuminates continuously when the contact input for Channel 2 is closed.
- CH3 LED** - Red LED illuminates continuously when the contact input for Channel 3 is closed.
- CH4 LED** - Red LED illuminates continuously when the contact input for Channel 4 is closed.

### SPECIFICATIONS

Power Supply	12VDC @ 100mA Maximum
Fuse Protected	2 amp
Transmitter Data	Four <b>DRY</b> Contact Inputs
Transmit Frequency	900MHz Spread Spectrum
RF Output Power	1W
Transmit Range	Up to 25 miles with external antenna - see accessories)
Enclosure	Fiberglass NEMA 12 + 13

### REPLACEMENT PARTS & ACCESSORIES

PC Board (Main)	46-1402
Air-Eagle XLT Plus Receiver	46-2000
Replacement Transceiver Antennas:	
900MHz Omni Directional Base Antenna (For Distances Of Up To 10 Miles *)	49-3101
900MHz Yagi Directional Base Antenna (For distances of up 25 miles*)	49-3102
* = Line of Sight	

### LIMITED WARRANTY STATEMENT

BWI Eagle Inc. warrants the Air-Eagle Remote Control System, if properly used and installed, will be free from defects in material and workmanship for a period of **1 year** after date of purchase. Said warranty to include the repair or replacement of defective equipment. This warranty does not cover damage due to external causes, including accident, problems with electrical power, usage not in accordance with product instructions, misuse, neglect, alteration, repair, improper installation, or improper testing. This limited warranty, and any implied warranties that may exist under state law, apply only to the original purchaser of the equipment, and last only for as long as such purchaser continues to own the equipment. This warranty replaces all other warranties, express or implied including, but not limited to, the implied warranties or merchantability and fitness for a particular purpose. BWI Eagle makes no express warranties beyond those stated here. BWI disclaims without limitation, implied warranties of merchantability and fitness for a particular purpose. Some jurisdictions do not allow the exclusion of implied warranties so this limitation may not apply to you. To obtain warranty service, contact BWI Eagle for a return material authorization. When returning equipment to BWI Eagle, the customer assumes the risk of damage or loss during shipping and is responsible for the shipping costs incurred.

DOCUMENT DATE: 22-Oct-04



238 Pillow Street  
Butler, PA 16001  
(724) 283-4681  
Fax (724) 283-5939  
[www.bwieagle.com](http://www.bwieagle.com)