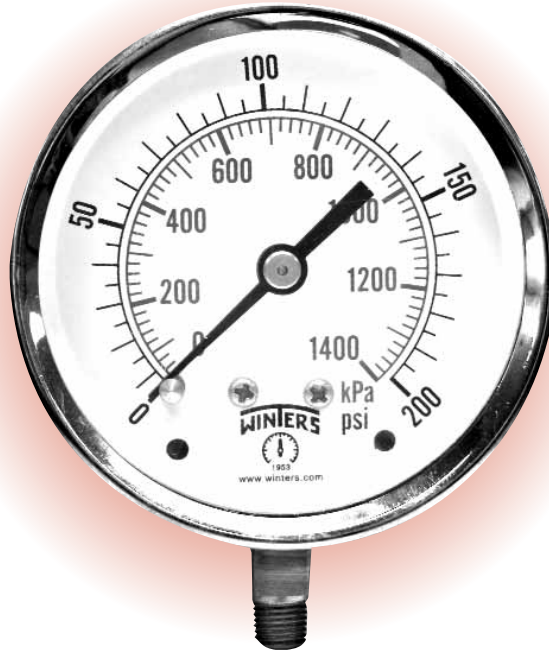


100 Series

Quality



Optional Back Flange



3.5" with Front Flange

Description & Features:

- High quality, commercial grade gauge at an economical price.
- Grade 1A accuracy (1%)
- Adjustable pointer
- Steel & Aluminum Cases
- Brass wetted parts
- CRN Registered

Applications:

- Plumbing & Heating that require a 1% accurate gauge.

Specifications

Dial:	3 1/2" (90mm), 4" (100mm), 4 1/2" (115mm) and 6" (150mm), white aluminum dial
Case:	Steel 3 1/2" & 4" back - black steel - 4" & 6" bottom - others aluminum black
Lens:	3 1/2", 4 1/2" bottom connection, 6" glass - all others polycarbonate
Ring:	3 1/2" (90mm), 4" (100mm) and 4 1/2" (115mm) bottom connection, polished brass " (150mm) bottom connection steel painted black
Pointer:	Aluminum black, adjustable
Socket:	Brass
Connection:	1/4" NPT standard
Bourdon Tube:	Phosphor Bronze
Welding:	Silver alloy
Over-pressure Limit:	25% of full scale value
Working Pressure:	Maximum 75% of full scale value
Ambient Temperature:	-40°F to 150°F (-40°C to 65°C)
Process Temperature:	-40°F to 150°F (-40°C to 65°C)
Accuracy:	±1% (ANSI/ASME Grade 1A)
Enclosure Rating:	IP 52



100 Series

PRODUCT CODES

How to order: Specify product code
Products shown in BOLD are normally in stock.

Dial Size	3 1/2" (90mm)		4" (100mm)	4 1/2" (115mm)		6" (150mm)	
Case Material	Steel		Steel	Aluminum		Steel	Aluminum
Connection	Bottom	Center Back	Center Back	Bottom	Lower Back	Bottom	Lower Back
30" Hg. Vacuum/kPa	Q234	Q560	Q460	Q410	Q430	Q250	Q475
30"-0-15 psi/kPa	Q230	Q568	Q468	Q411	Q431	Q251C	Q476
30"-0-30 psi/kPa	Q231	Q569	Q469	Q412	Q432	Q252C	Q477
30"-0-60 psi/kPa	Q232	Q570	Q470	Q413	Q433	Q259C	Q478
30"-0-100 psi/kPa	Q233	Q571	Q471	Q414	Q434	Q253C	Q479
30"-0-160 psi/kPa	Q229	Q572	Q472	Q416	Q436	Q254C	Q480
30"-0-200 psi/kPa	-	Q573	-	Q417	Q437	Q255C	Q481
30"-0-300 psi/kPa	Q227	Q574	Q473	Q418	Q438	Q256C	Q482
0-15 psi/kPa	Q228	Q561	Q461	Q419	Q439	-	-
0-30 psi/kPa	Q235	Q562	Q462	Q420	Q440	Q251	Q483
0-60 psi/kPa	Q236	Q563	Q463	Q421	Q441	Q252	Q484
0-100 psi/kPa	Q237	Q564	Q464	Q422	Q442	Q253	Q485
0-160 psi/kPa	Q238	Q565	Q465	Q423	Q443	Q254	Q486
0-200 psi/kPa	Q239	Q566	Q466	Q424	Q444	Q255	Q487
0-300 psi/kPa	Q240	Q567	Q467	Q426	Q446	Q256	Q488
0-600 psi/kPa	-	-	-	Q490	-	-	-
0-1000 psi/kPa	-	-	-	Q491	-	-	-
0-3000 psi/kPa	-	-	-	Q492	-	-	-
0-5000 psi/kPa	-	-	-	Q493	-	-	-

Option Suffix:

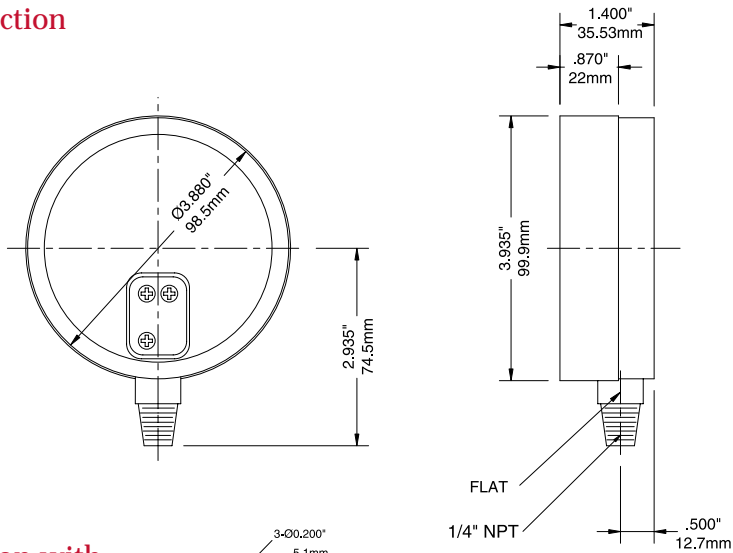
- 35QBF - 3.5" Back Flange
- 45QBF - 4.5" Back Flange
- Other connections available upon request.
- Other ranges available upon request.
- Siphon recommended for all steam applications
- 4QBF - 4" Back Flange
- 6QBF - 6" Back Flange



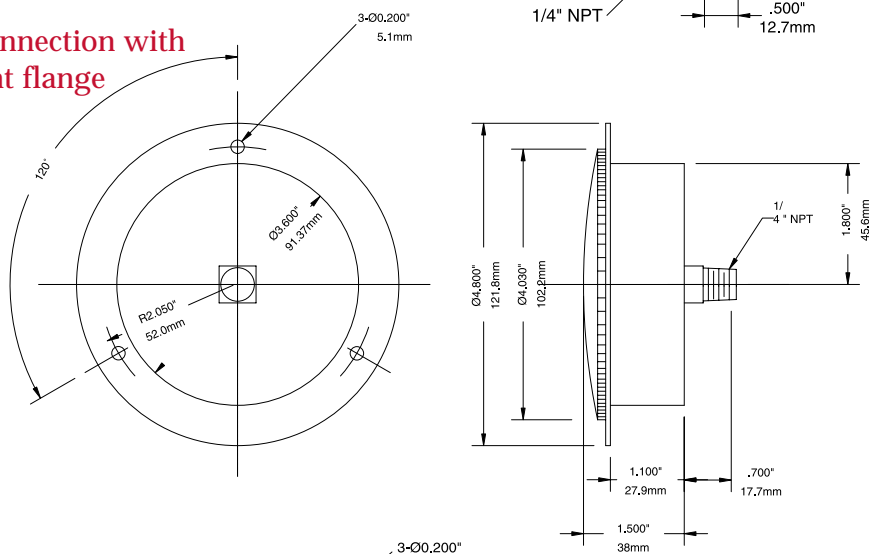
100 Series

Quality

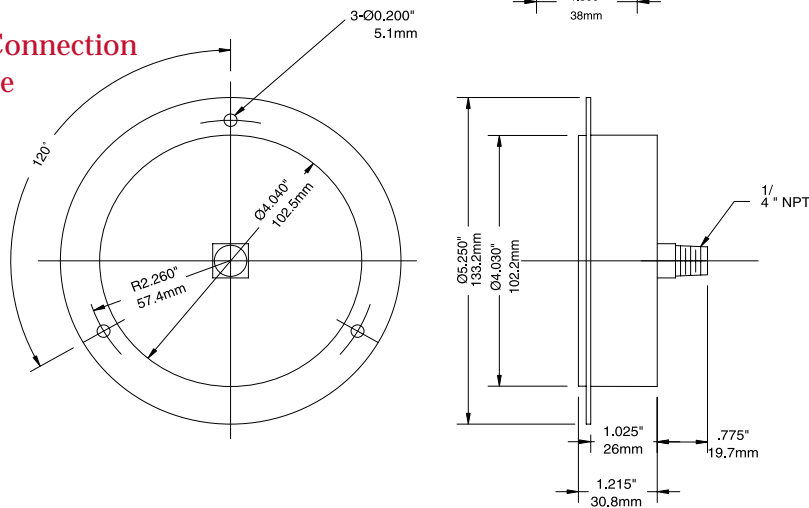
3 1/2" Bottom Connection



3 1/2" Back Connection with standard front flange



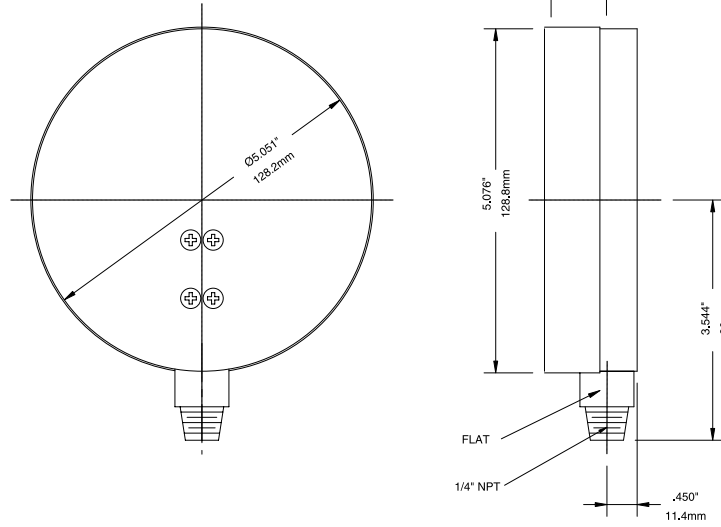
4" Center Back Connection with Front Flange



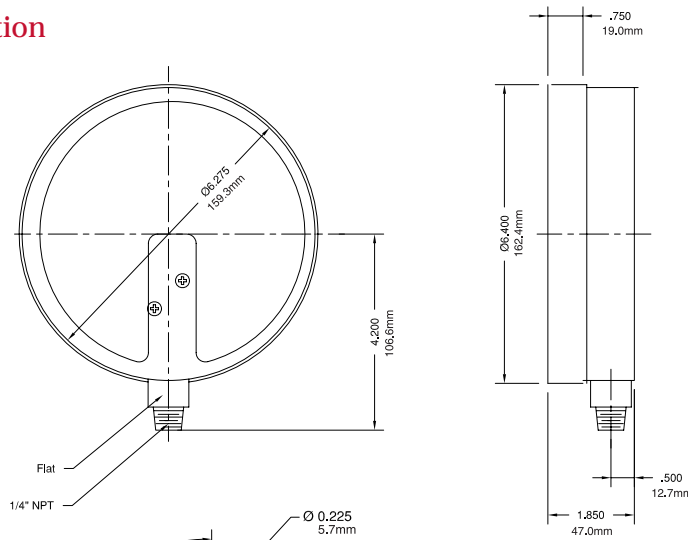
100 Series

Quality

4 1/2" Bottom Connection



6" Bottom Connection



6" Back Connection with Front Flange

