

#20 Diaphragm Seal

30 to 1000 psi (200 to 6,900 kPa)

Description

The Winters #20 Sanitary Seal meets the requirements of dairy, food, beverage, chemical and pharmaceutical industries. When Winters #20 Sanitary Seal is attached to a Winters all stainless steel construction pressure gauge, the unit becomes completely sanitary, making it impossible for bacteria to form and contaminate the process product. This unit is 3A designated for all sanitary applications (see Sanitary Gauges 3A specification sheet in Premium section).

The Winters Sanitary Seal is 3A approved and CRN registered.



Specifications

Housing:	AISI 316 stainless steel
Diaphragm:	AISI 316L stainless steel, welded
Minimum Operating Pressure:	30 psi (200 kPa)
Maximum Operating Pressure:	1000 psi (6,900 kPa)
Gauge Connection:	1/4" NPT female
Process Connection:	1 1/2" (40mm) and 2" (50mm) Tri-clamp® fitting standard
Process Temperature:	-4 °F to 248°F (-20°C to 120°C)

® Tri-clamp is a registered trademark of Tri-Clover.

How to order: Specify product code

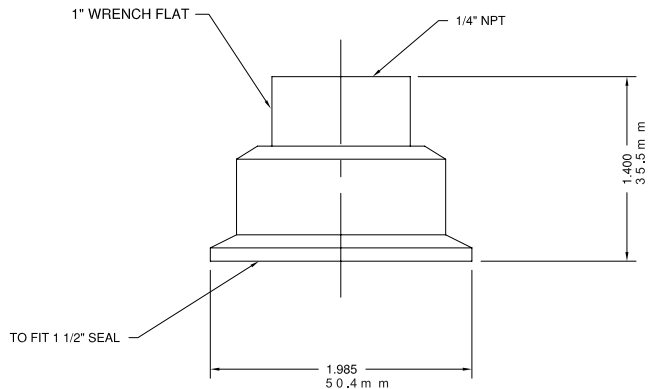
Products shown in **BOLD** are normally in stock.

#20 PRODUCT CODES	
1 1/2" (40mm)	D980
2" (50mm)	D976

Options:

SF-D Silicone fill (seal only)

1 1/2" Tri-clamp®



2" Tri-clamp®

