

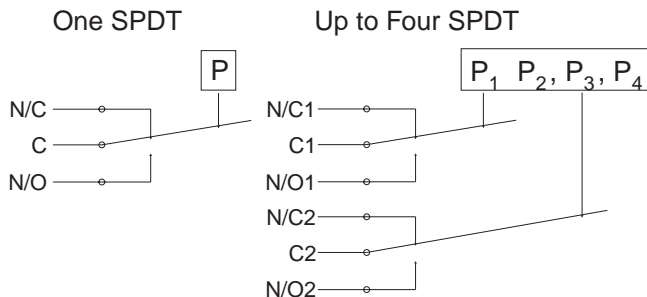
6WPS Series

PRESSURE SWITCH - BELLOWS ACTUATED



- Ranges from 0-15 PSI To 0-5000 PSI
- Rugged NEMA 4X & 12 Housing Std.
- CSA Certified
- Class I, Div. I, Gr. C & D Available
- Up to Four SPDT Contacts
- Various Wetted Materials Available

Wiring Schematic



INSTALLATION NOTES

Orientation - The 6WPS Bellows Actuated will operate satisfactorily in any position, however, mounting the device vertically will allow the easiest adjustability and reduce sediment in the pressure chamber.

Wiring - Switches may be wired to 'normally open' or 'normally closed' terminals on electric switch(es).

Pressure Connection - 1/4 NPT female is standard. 1/2 NPT male is available ("M" option).

Adjustment - Turn pressure adjustment nut(s) clockwise to increase setpoint. Detailed installation & calibration instructions are provided for every shipment. Setting adjustments available at no charge.

Description

The Winters' Series 6WPS Bellows Actuated Pressure Switch is constructed using a rugged cast aluminum housing that incorporates Winter's standard accurate switching mechanism actuated by a stainless steel bellows assembly. The housing can be specified, watertight; or explosion proof. The housing is large enough to accommodate up to four full size S.P.D.T. electric switches. These electric switches are available in a variety of configurations including adjustable switch differential (dead band), D.P.D.T., High-Low operation, and manual reset. In addition many switching configurations can be supplied with electric switches that have: Low switch differentials (dead band). High direct current ratings. Gold contacts. Hermetically sealed contacts. Bellows assemblies of various areas, when applied to the 6WPS Bellows Actuated model, allow a wide variety of adjustable pressure ranges.

Common applications for the 6WPS would be multiple tank or pump controls and an application requiring alarm systems.

Specifications - 6WPS (Bellows Actuated)

Housing:	Cast Aluminum
Pressure Connection:	1/4 NPT
Electrical Connection:	1/2 NPT
Port Material:	Stainless Steel W/ Silver Braze
Bellows Material:	Stainless Steel
Deadband:	Fixed
Sensitivity:	1/2% of range (for SPDT)
Drift:	<1% of range (100,000 operations)
Contact Ratings:	15A - 125, 250, 480 VAC
Set Point Adjustment:	Screw type, field adjustable
No. Contacts:	1, 2, 3 or 4 S.P.D.T or 1 D.P.D.T.
Contact Listings:	UL Recognized, CSA Certified
Maximum Ambient Temperature:	180°F
Minimum Ambient Temperature:	-40°F
Weight:	Approx. 5 lbs.



Corporate Office: 121 Railside Road • Toronto • ON • M3A 1B2 • (416) 444-2345 • Fax: (416) 444-8979

U.S.A. Office: 600 Ensminger Road • Buffalo • NY • 14150 • (716) 874-8700 • Fax: (716) 874-8800

www.winters.com • 1-800-WINTERS (946-8377)

6WPS Series

PRESSURE SWITCH - BELLOWS ACTUATED

How to Order: Specify Product Code

6WPS W 1 B V 2

SERIES

HOUSING'

- W - WATERTIGHT - NEMA 4X & 12
- X - EXPLOSION PROOF - NEMA 7 & 9

NUMBER OF ELECTRIC SWITCHES

- 1 - ONE S.P.D.T.
- 11 - TWO TANDEM ELECTRIC SWITCHES OPERATE IN PARALLEL D.P.D.T.
- 2 - TWO S.P.D.T. INDEPENDENT ADJUSTMENT
- 3 - THREE S.P.D.T. INDEPENDENT ADJUSTMENT
- 4 - FOUR S.P.D.T. INDEPENDENT ADJUSTMENT

SENSING ELEMENT

- B - BELLOWS ACTUATED

SPECIAL FEATURES

- NO SPECIAL FEATURES
- A - ADJUSTABLE DEADBAND
- E - EXTERNAL PRESSURE ADJUSTMENT
- EE - TWO EXTERNAL PRESSURE ADJUSTMENTS
- L - ONE INDICATOR LIGHT (NOT ON X HOUSING)
- LL - TWO INDICATOR LIGHTS (NOT ON X HOUSING)
- M - MALE PIPE MOUNTING 1/2 NPT
- P - PANEL MOUNTING
- Q - DOUBLE SNAP ACTION (BELLEVILLE SPRING)
- R> - MANUAL RESET, SWITCH ON INCR. PR.
- R< - MANUAL RESET, SWITCH ON DECR. PR.
- V - HIGH TEMPERATURE SERVICE

TYPE OF ELECTRIC SWITCHES

- 1 - LOW DEADBAND
15A - 125, 250, 480 VAC
- 2 - STANDARD DEADBAND
15A - 125, 250, 480 VAC; 0.5A - 125 VDC
- 3 - HIGH DC RATED (MAGNETIC BLOWOUT)
10A - 125 VDC; 3A - 250 VDC
- 4 - HERMETICALLY SEALED SWITCH
1A-125VAC; 25A.RES, 10A.IND, 5A.MOTOR
3A.LAMP-28VDC
- 6 - GOLD CONTACT -
1 A - 125 VAC

* SPECIAL FEATURES SUCH AS STAINLESS TAGGING, APPLICATION OF DIAPHRAGM SEALS, ETC. ARE AVAILABLE ON REQUEST. CONSULT WINTERS FOR CAPABILITES AND PRICING FOR ANY FEATURES NOT SHOWN.

DEADBAND NOTES

The deadbands listed in the tables are the maximum switch differentials when the Type "1" or Type "2" electric switch is used.

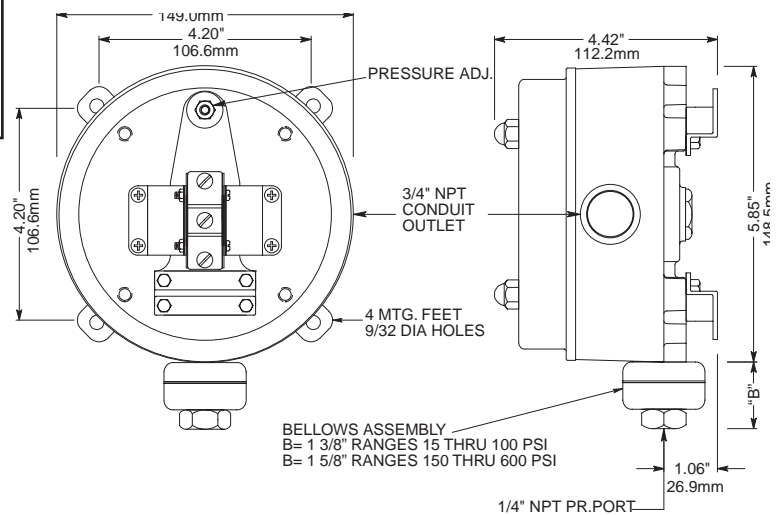
Deadband is affected by the type of electric switch used. Each type of electric switch's effect on deadband is as follows:

- Type "1" - Low Deadband - Use table values.
- Type "2" - Std. Deadband - Use table values.
- Type "3" - High DC Rated - Multiply TYPE 2 table values by two.
- Type "4" - Hermetically Sealed Switch - Multiply TYPE 2 table values by six.
- Type "6" - Gold Contact - Use TYPE 2 table values.

Ranges

BELLOWS ACTUATED

Adjustable Pressure Range	Maximum DEADBAND Type "2"	Maximum DEADBAND Type "5"	Maximum Working Pressure
0-15 PSI	.7#	1.3#	300
0-30 PSI	.7	1.4	300
0-60 PSI	.8	1.6	300
0-100 PSI	1.0	1.9	300
0-150 PSI	4.0	7.3	1500
0-200 PSI	4.0	7.6	1500
0-300 PSI	4.0	8.2	1500
0-600 PSI	5.0	10.0	1500
0-1000 PSI	12.0	25.0	3000
0-2000 PSI	15.0	30.0	3000
0-3000 PSI	37.0	75.0	7000
0-5000 PSI	45.0	90.0	7000



Corporate Office: 121 Railside Road • Toronto • ON • M3A 1B2 • (416) 444-2345 • Fax: (416) 444-8979

U.S.A. Office: 600 Ensminger Road • Buffalo • NY • 14150 • (716) 874-8700 • Fax: (716) 874-8800

www.winters.com • 1-800-WINTERS (946-8377)