

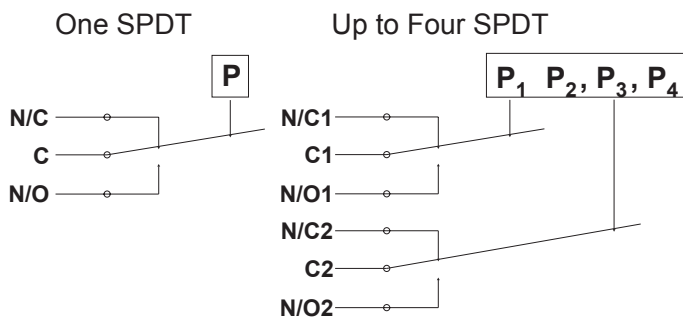
6WPS Series

DIFFERENTIAL PRESSURE SWITCH - DIAPHRAGM ACTUATED



- Ranges from 0-15 PSID & 0-30 PSID
- Rugged NEMA 4X & 12 Housing Std.
- Class I, Div. I, Gr. C & D Available
- Up to Four SPDT Contacts
- CSA Certified
- Various Wetted Materials Available

Wiring Schematic



INSTALLATION NOTES

Orientation - The 6WPS Differential, Diaphragm Actuated, will operate satisfactorily in any position, however, mounting the device vertically will allow the easiest adjustability and reduce sediment in the pressure chamber.

Wiring - Switches may be wired to 'normally open' or 'normally closed' terminals on electric switch(es).

Pressure Connection - 1/4 NPT female is standard. 1/2 NPT male is available ("M" option).

Adjustment - Turn pressure adjustment nut(s) clockwise to increase setpoint. Detailed installation & calibration instructions are provided for every shipment. Setting adjustment is available at no charge.

Description

The Winters' Series 6WPS Differential Pressure Switch (Diaphragm Actuated) is constructed using a rugged cast aluminum housing that incorporates Winter's standard accurate switching mechanism actuated by a differential diaphragm assembly. The housing can be specified, watertight; or explosion proof. The housing is large enough to accommodate up to four full size S.P.D.T. electric switches. These electric switches are available in a variety of configurations including adjustable switch differential (dead band), D.P.D.T., High-Low operation, and manual reset. In addition many switching configurations can be supplied with electric switches that have: Low switch differentials (dead band). High direct current ratings. Gold contacts. Hermetically sealed contacts. The standard pressure-sensing element uses a strong Buna N elastomer diaphragm. Other diaphragm materials are available.

The 6WPS (Differential) can be utilized in filtration applications, hazardous locations and system level controls.

Specifications - 6WPS Differential (Diaphragm Actuated)

Housing:	Cast Aluminum
Pressure Connection:	1/4 NPT
Electrical Connection:	3/4 NPT
Port Material:	Aluminum
Diaphragm Material:	Buna N
Deadband:	Fixed
Sensitivity:	1/2% of range (for SPDT)
Drift:	<1% of range (100,000 operations)
Contact Ratings:	15A - 125, 250, 480 VAC
Set Point Adjustment:	Screw type, field adjustable
No. Contacts:	1, 2, 3 or 4 S.P.D.T or 1 D.P.D.T.
Contact Listings:	UL Recognized, CSA Certified
Maximum Ambient Temperature:	180°F
Minimum Ambient Temperature:	-20°F
Weight: Approx.	5 lbs.



Corporate Office: 121 Railside Road • Toronto • ON • M3A 1B2 • (416) 444-2345 • Fax: (416) 444-8979

U.S.A. Office: 600 Ensminger Road • Buffalo • NY • 14150 • (716) 874-8700 • Fax: (716) 874-8800

www.winters.com • 1-800-WINTERS (946-8377)

6WPS Series

DIFFERENTIAL PRESSURE SWITCH - DIAPHRAGM ACTUATED

How to Order: Specify Product Code

6WPS W 1 D R> 2

SERIES

HOUSING*

- W - WATERTIGHT - NEMA 4X & 12
- X - EXPLOSION PROOF - NEMA 7 & 9

NUMBER OF ELECTRIC SWITCHES

- 1 - ONE S.P.D.T.
- 11 - TWO TANDEM ELECTRIC SWITCHES OPERATE IN PARALLEL D.P.D.T.
- 2 - TWO S.P.D.T. INDEPENDENT ADJUSTMENT
- 3 - THREE S.P.D.T. INDEPENDENT ADJUSTMENT
- 4 - FOUR S.P.D.T. INDEPENDENT ADJUSTMENT

SPECIAL FEATURES

- NO SPECIAL FEATURES
- A - ADJUSTABLE DEADBAND
- E - EXTERNAL PRESSURE ADJUSTMENT
- EE - TWO EXTERNAL PRESSURE ADJUSTMENTS
- L - ONE INDICATOR LIGHT (NOT ON X HOUSING)
- LL - TWO INDICATOR LIGHTS (NOT ON X HOUSING)
- M - MALE PIPE MOUNTING 1/2 NPT
- P - PANEL MOUNTING
- R> - MANUAL RESET, SWITCH ON INCR. PR.
- R< - MANUAL RESET, SWITCH ON DECR. PR.
- SS - SPECIAL TRIM BASE 316 STAINLESS STEEL
- SI - SPECIAL TRIM BASE TEFLON (NOT ON X SWITCHES)
- SY - SPECIAL TRIM BASE PVC (NOT ON X SWITCHES)
- T - TEFLON PROTECTED DIAPHRAGM
- U - SPECIAL EPOXY PAINT
- V - HIGH TEMPERATURE SERVICE
- Z - VITON DIAPHRAGM

TYPE OF ELECTRIC SWITCHES

- 1 - LOW DEADBAND
 - 15A - 125, 250, 480 VAC
- 2 - STANDARD DEADBAND
 - 15A - 125, 250, 480 VAC; 0.5A - 125 VDC
- 3 - HIGH DC RATED (MAGNETIC BLOWOUT)
 - 10A - 125 VDC; 3A - 250 VDC
- 4 - HERMETICALLY SEALED SWITCH
 - 1.A-125VAC; 25A.RES, 10A.IND, 5A.MOTOR
 - 3A.LAMP-28VDC
- 6 - GOLD CONTACT -
 - 1 A - 125 VAC

* SPECIAL FEATURES SUCH AS STAINLESS TAGGING, OR SPECIAL WETTED PARTS; KYNAR, KALREZ, HASTELLOY, ETC. ARE AVAILABLE ON REQUEST. CONSULT WINTERS FOR CAPABILITIES AND PRICING FOR ANY FEATURES NOT SHOWN.

DEADBAND NOTES

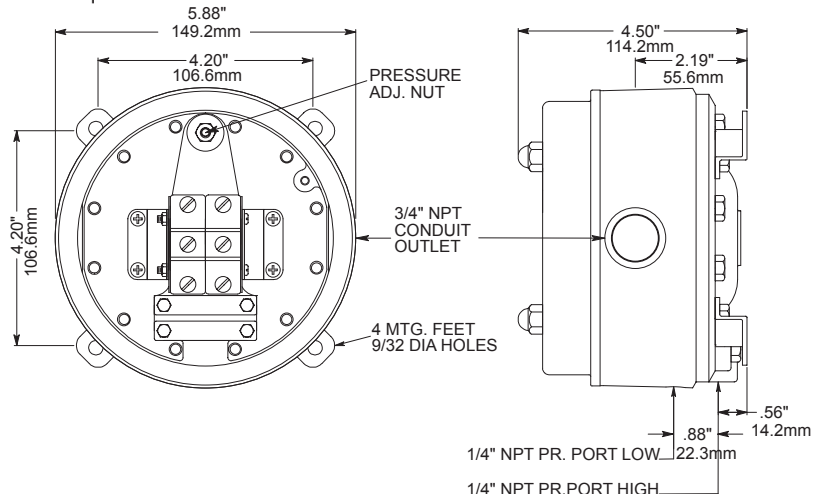
The deadbands listed in the tables are the maximum switch differentials when the standard (Type "2" or Type "5") electric switch is used.

Deadband is affected by the type of switch used. Each type of switch's effect on deadband is as follows:

- Type "1" - Low Deadband - Use 1/2 TYPE 2 table values.
- Type "2" - Std. Deadband - Use table values.
- Type "3" - High DC Rated - Multiply TYPE 2 table values by two.
- Type "5" - Sub Miniature - 2 S.P.D.T. - Use TYPE 5 table values.
- Type "6" - Gold Contact - Use TYPE 2 table values.

Please note that Type "5" is the only available option on 2WPS Switches that requires two Electric Switches.

DIFFERENTIAL PRESSURE (DP)			
0-15 PSID	.16#	.32#	100
0-30 PSID	.23	.47	100
TWO-WAY DIFFERENTIAL PRESSURE			
0-15 PSID	.7#	1.5#	100
0-30 PSID	1.2	2.5	100



Canadian Standards Association Certified:
Industrial Control Equipment Type 4 & 12 Switches Pressure
Type for Hazardous Locations, Class I, Groups C & D; Class
II, Groups E, F & G.



Corporate Office: 121 Railside Road • Toronto • ON • M3A 1B2 • (416) 444-2345 • Fax: (416) 444-8979

U.S.A. Office: 600 Ensminger Road • Buffalo • NY • 14150 • (716) 874-8700 • Fax: (716) 874-8800

www.winters.com • 1-800-WINTERS (946-8377)