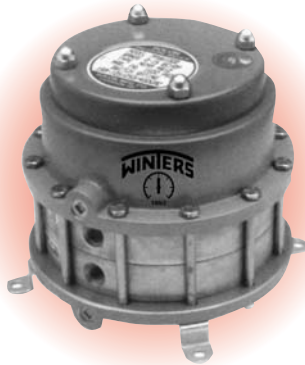


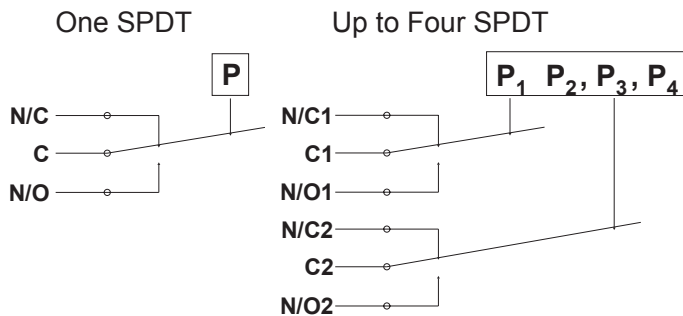
6WPSDO Series

DIFFERENTIAL PRESSURE SWITCH - DIAPHRAGM ACTUATED



- Ranges from 0-15 PSID & 0-60 PSID
- Rugged NEMA 4X & 12 Housing Std.
- Class I, Div. I, Gr. C & D Available
- Up to Four SPDT Contacts
- Various Wetted Materials Available

Wiring Schematic



INSTALLATION NOTES

Orientation - The 6WPSDO will operate satisfactorily in any position, however, mounting the device vertically will allow the easiest adjustability and reduce sediment in the pressure chamber.

Wiring - Switches may be wired to 'normally open' or 'normally closed' terminals on electric switch(es).

Pressure Connection - 1/4 NPT female is standard. 1/2 NPT male is available ("M" option).

Adjustment - Turn pressure adjustment nut(s) clockwise to increase setpoint. Detailed installation & calibration instructions are provided for every shipment. Setting adjustment is available at no charge.

Description

The Winters' Series 6WPSDO Differential Pressure Switch is designed to sense low differential pressures between high pressure sources. The high pressure seals are opposed stainless steel bellows assemblies, while the differential pressure is sensed by a diaphragm clamped between these bellows assemblies. The diaphragm has a large area to accurately sense Low Differential Pressure, and during an over-pressure the diaphragm is fully supported. The design is symmetric such that both the HIGH or LOW pressure sides of the element can withstand the maximum pressure with the opposite side at atmospheric pressure. The rugged cast aluminum housing incorporates Winter's standard accurate switching mechanism, and can be specified watertight or explosion proof. The housing is large enough to accommodate up to four full size S.P.D.T. electric switches. The standard differential pressure-sensing element is constructed of a strong aluminum alloy using a Buna N elastomer diaphragm. Other diaphragm and wetted area materials are available.

The Winters' Series 6WPSDO is utilized in high static low differential pressure filtration applications and system level controls.

Specifications - 6WPS (Diaphragm Actuated)

Housing:	Cast Aluminum
Pressure Connection:	1/4 NPT
Electrical Connection:	3/4 NPT
Port Material:	Aluminum
Diaphragm Material:	Buna N
Deadband:	Fixed
Sensitivity:	1/2% of range (for SPDT)
Drift:	<1% of range (100,000 operations)
Contact Ratings:	15A - 125, 250, 480 VAC
Set Point Adjustment:	Screw type, field adjustable
No. Contacts:	1, 2, 3 or 4 S.P.D.T or 1 D.P.D.T.
Contact Listings:	UL Recognized, CSA Certified
Maximum Ambient Temperature:	180°F
Minimum Ambient Temperature:	-20°F
Weight: Approx.	5 lbs.



Corporate Office: 121 Railside Road • Toronto • ON • M3A 1B2 • (416) 444-2345 • Fax: (416) 444-8979

U.S.A. Office: 600 Ensminger Road • Buffalo • NY • 14150 • (716) 874-8700 • Fax: (716) 874-8800

www.winters.com • 1-800-WINTERS (946-8377)

6WPSDO Series

DIFFERENTIAL PRESSURE SWITCH - DIAPHRAGM ACTUATED

How to Order: Specify Product Code

6WPS W 1 DO E 2

SERIES

HOUSING

- 1 - WATERTIGHT - NEMA 4X & 12
- 2 - EXPLOSION PROOF - NEMA 7 & 9

NUMBER OF ELECTRIC SWITCHES

- 1 - ONE S.P.D.T.
- 2 - TWO TANDEM ELECTRIC SWITCHES OPERATE IN PARALLEL D.P.D.T.
- 3 - TWO S.P.D.T. INDEPENDENT ADJUSTMENT
- 4 - THREE S.P.D.T. INDEPENDENT ADJUSTMENT
- 5 - FOUR S.P.D.T. INDEPENDENT ADJUSTMENT

SPECIAL FEATURES

- 1 - NO SPECIAL FEATURES
- 2 - ADJUSTABLE DEADBAND
- 3 - EXTERNAL PRESSURE ADJUSTMENT
- 4 - TWO EXTERNAL PRESSURE ADJUSTMENTS
- 5 - ONE INDICATOR LIGHT (NOT ON X HOUSING)
- 6 - TWO INDICATOR LIGHTS (NOT ON X HOUSING)
- 7 - MALE PIPE MOUNTING 1/2 NPT
- 8 - PANEL MOUNTING
- 9 - MANUAL RESET, SWITCH ON INCR. PR.
- 10 - MANUAL RESET, SWITCH ON DECR. PR.
- 11 - SPECIAL TRIM BASE 316 STAINLESS STEEL
- 12 - TEFLON PROTECTED DIAPHRAGM
- 13 - SPECIAL EPOXY PAINT
- 14 - HIGH TEMPERATURE SERVICE
- 15 - VITON DIAPHRAGM

TYPE OF ELECTRIC SWITCHES

- 1 - LOW DEADBAND
 - 15A - 125, 250, 480 VAC
- 2 - STANDARD DEADBAND
 - 15A - 125, 250, 480 VAC; 0.5A - 125 VDC
- 3 - HIGH DC RATED (MAGNETIC BLOWOUT)
 - 10A - 125 VDC; 3A - 250 VDC
- 4 - HERMETICALLY SEALED SWITCH
 - 1A-125VAC; 25A.RES, 10A.IND, 5A.MOTOR
 - 3A.LAMP-28VDC
- 5 - GOLD CONTACT -
 - 1A - 125 VAC

* SPECIAL FEATURES SUCH AS STAINLESS TAGGING, OR SPECIAL WETTED PARTS; BRASS, HASTELLOY, ETC. ARE AVAILABLE ON REQUEST. CONSULT WINTERS FOR CAPABILITIES AND PRICING FOR ANY FEATURES NOT SHOWN.

DEADBAND NOTES

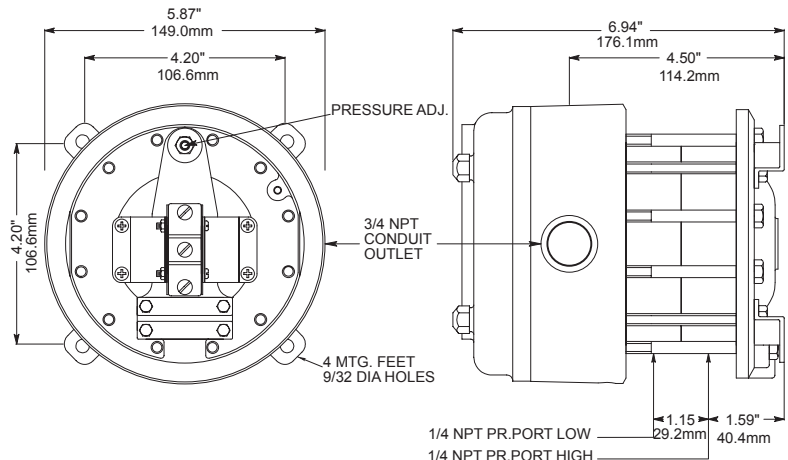
The deadbands listed in the tables are the maximum switch differentials when the standard (Type "2" or Type "5") electric switch is used.

Deadband is affected by the type of switch used. Each type of switch's effect on deadband is as follows:

- Type "1" - Low Deadband - Use 1/2 TYPE 2 table values.
- Type "2" - Std. Deadband - Use table values.
- Type "3" - High DC Rated - Multiply TYPE 2 table values by two.
- Type "5" - Sub Miniature - 2 S.P.D.T. - Use TYPE 5 table values.
- Type "6" - Gold Contact - Use TYPE 2 table values.

Please note that Type "5" is the only available option on 2WPS Switches that requires two Electric Switches.

Ranges			
Adjustable Pressure Range	Maximum Deadband PSI		Max. Working Pressure
	Type "1"	Type "2"	
0-15 psi	.3	.6	2500 psi
0-30 psi	.35	.7	2500 psi
0-60 psi	.35	.7	2500 psi



Corporate Office: 121 Railside Road • Toronto • ON • M3A 1B2 • (416) 444-2345 • Fax: (416) 444-8979

U.S.A. Office: 600 Ensminger Road • Buffalo • NY • 14150 • (716) 874-8700 • Fax: (716) 874-8800

www.winters.com • 1-800-WINTERS (946-8377)