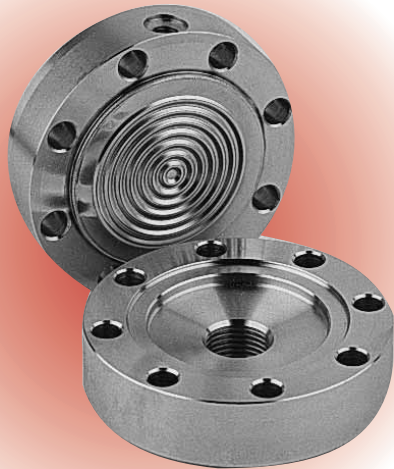


#70 NACE Diaphragm Seals

30" Vac to 2500 psi (-100 to 15,850 kPa)

Diaphragm Seals



Meets NACE Standard MR0175-2003

NACE MR0175-2003

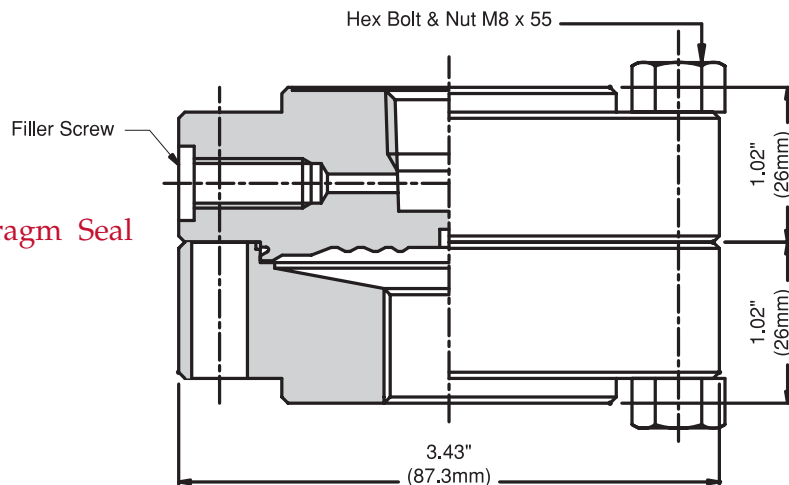
Description

Winters #70 NACE Diaphragm Seals can be used on applications requiring a NACE compliant MR0175-2003 diaphragm seal.

Product Codes		SPECIFICATIONS	
Upper Housing (Top)		Housing:	Hastelloy C
Hast. C, 1/4" NPT conn., Hastelloy C diaphragm	DN966HASC75	Diaphragm:	Hastelloy C, welded
Hast. C, 1/2" NPT conn., Hastelloy C diaphragm	DN967HASC75	Construction:	Two piece construction
Lower Housing (Bottom)		Connection:	Top: 1/4" and 1/2" NPT Bottom: 1/4", 1/2", 3/4" and 1" NPT
Hastelloy C, 1/4" NPT conn.	DN954HASC75	Other:	Flushing connections available. Other materials available upon request.
Hastelloy C, 1/2" NPT conn.	DN956HASC75		
Hastelloy C, 1/2" NPT conn. with flushing	DN957HASC75		
Hastelloy C, 3/4" NPT conn. with flushing	DN959HASC75		
Hastelloy C, 3/4" NPT conn.	DN963HASC75		
Hastelloy C, 1" NPT conn.	DN964HASC75		
Hastelloy C, 1" NPT conn. with flushing	DN965HASC75		

Options: ● FL-D = Silicone fill (seal only) ● FL-D = Fluorolube fill (seal only)
Other fill fluids (seal only) available upon request

#70 NACE Diaphragm Seal



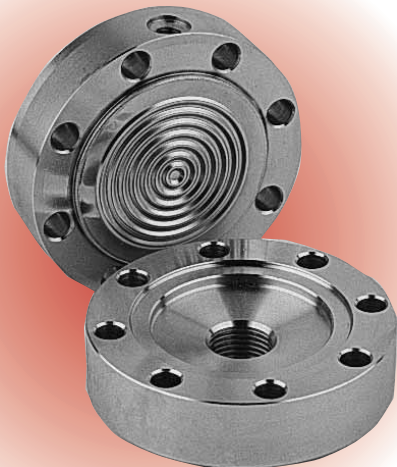
#70 NACE Diaphragm Seals

30" Vac to 2500 psi (-100 to 15,850 kPa)

NACE MR0103-2003

Description

Any applications requiring a NACE compliant MR0103-2003 diaphragm seal.



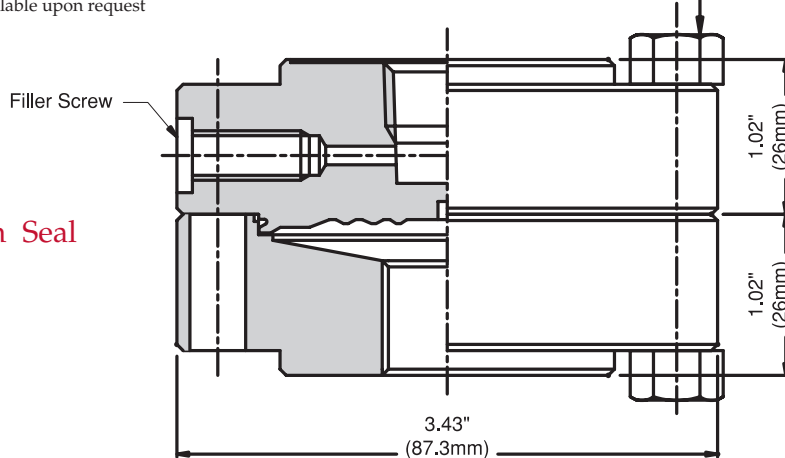
Meets NACE Standard MR0103-2003

Diaphragm Seals

Product Codes		SPECIFICATIONS	
Upper Housing (Top)		Housing:	316 stainless steel
316 St/St, 1/4" NPT conn.,	316 St/St diaphragm	Diaphragm:	316 stainless steel, welded
316 St/St, 1/2" NPT conn.,	316 St/St diaphragm	Construction:	Two piece construction
Lower Housing (Bottom)		Connection:	Top: 1/4" and 1/2" NPT Bottom: 1/4", 1/2", 3/4" and 1" NPT
316 St/St, 1/4" NPT conn.		Other:	Flushing connections available. Other materials available upon request.
316 St/St, 1/2" NPT conn.			
316 St/St, 1/2" NPT conn. with flushing			
316 St/St, 3/4" NPT conn. with flushing			
316 St/St, 1" NPT conn.			
316 St/St, 1" NPT conn. with flushing			

Options: ●SF-D = Silicone fill (seal only) ●FL-D = Fluorolube fill (seal only)
Other fill fluids (seal only) available upon request

Hex Bolt & Nut M8 x 55



#70 NACE Diaphragm Seal