

# 90 Series

Quality



## Description & Features:

- A general-purpose gauge that is serviceable and pulsation resistant.
- 1.5" to 3.5" Dial Sizes
- Dampened Movement combined with a "Flutterless" Pointer
- Removable lens
- Zero-adjustment
- Grade B accuracy (2%-1%-2%)
- CRN Registered

## Applications:

- Compressors, filters, regulators, water pumps, paint sprayers and a variety of other rapid pressure fluctuation applications.

## Specifications

<b>Dial:</b>	1 1/2" (40mm), 2" (50mm), 2 1/2" (63mm) and 3 1/2" (90mm), white aluminum with black and red markings
<b>Case:</b>	Steel painted black
<b>Lens:</b>	Acrylic, threaded
<b>Pointer:</b>	Steel, painted black
<b>Socket:</b>	Brass
<b>Connection:</b>	1/8" NPT or 1/4" NPT standard
<b>Bourdon Tube:</b>	Phosphor bronze
<b>Movement:</b>	Brass (flutterless) with zero adjustment
<b>Welding:</b>	Silver alloy
<b>Over-pressure Limit:</b>	25% of full scale value
<b>Working Pressure:</b>	Maximum 75% of full scale value
<b>Ambient Temperature:</b>	-40°F to 149°F (-40°C to 65°C)
<b>Process Temperature:</b>	-40°F to 149°F (-40°C to 65°C)
<b>Accuracy:</b>	2-1-2% accuracy (ANSI/ASME Grade B)



# 90 Series

## PRODUCT CODES

**How to order: Specify product code**  
**Products shown in BOLD are normally in stock.**

Case Material	Steel	Steel	Steel	Steel	Steel	Steel	Steel	Steel	Steel	Steel
Connection	Bottom 1/8"	Center Back 1/8"	Center Back 1/8"	Center Back 1/4"	Bottom 1/8"	Bottom 1/4"	Center Back 1/4"	Bottom 1/4"	Bottom 1/4"	Center Back 1/4"
Movement, Socket, Tube	Brass	Brass	Brass	Brass	Brass	Brass	Brass	Brass	Brass	Brass
30" Hg. Vac. /kPa	<b>Q901297</b>	Q901397	<b>Q901424</b>	<b>Q901428</b>	<b>Q90195</b>	<b>Q90135</b>	<b>Q901431</b>	Q90210	<b>Q90220</b>	<b>Q901455</b>
30" -0-15 psi/kPa	-	-	-	-	-	-	-	<b>Q90152</b>	-	-
30" -0-30 psi/kPa	-	-	-	-	-	-	-	Q90153	-	-
30" -0-60 psi/kPa	-	-	-	-	-	-	-	Q90154	-	-
30" -0-100 psi/kPa	-	-	-	-	-	-	-	Q90155	-	-
0-15 psi/kPa	<b>Q901299</b>	<b>Q901399</b>	<b>Q901425</b>	Q901429	<b>Q90196</b>	<b>Q90136</b>	<b>Q901436</b>	<b>Q90211</b>	Q90229	<b>Q901464</b>
0-30 psi/kPa	<b>Q901300</b>	<b>Q901400</b>	Q901402	<b>Q901403</b>	Q90206	<b>Q90199</b>	<b>Q901437</b>	<b>Q90212</b>	<b>Q90221</b>	<b>Q901456</b>
0-60 psi/kPa	<b>Q901301</b>	<b>Q901401</b>	<b>Q901404</b>	<b>Q901405</b>	Q90207	<b>Q90201</b>	<b>Q901438</b>	<b>Q90213</b>	<b>Q90222</b>	<b>Q901457</b>
0-100 psi/kPa	<b>Q901320</b>	Q901420	<b>Q901406</b>	Q901407	<b>Q90208</b>	<b>Q90202</b>	Q901439	<b>Q90214</b>	<b>Q90223</b>	<b>Q901458</b>
0-160 psi/kPa	<b>Q901321</b>	<b>Q901421</b>	<b>Q901408</b>	<b>Q901409</b>	<b>Q90197</b>	Q90203	Q901440	<b>Q90215</b>	<b>Q90224</b>	<b>Q901459</b>
0-200 psi/kPa	<b>Q901322</b>	<b>Q901422</b>	<b>Q901426</b>	<b>Q901410</b>	Q90209	<b>Q90204</b>	<b>Q901441</b>	<b>Q90216</b>	<b>Q90225</b>	<b>Q901460</b>
0-300 psi/kPa	<b>Q901323</b>	<b>Q901423</b>	<b>Q901427</b>	<b>Q901411</b>	Q90198	Q90205	Q901442	<b>Q90217</b>	<b>Q90226</b>	<b>Q901461</b>
0-400 psi/kPa	Q901324	<b>Q901443</b>	<b>Q901445</b>	<b>Q901447</b>	<b>Q901449</b>	<b>Q901451</b>	<b>Q901453</b>	<b>Q90219</b>	<b>Q90227</b>	<b>Q901462</b>
0-600 psi/kPa	<b>Q901325</b>	<b>Q901444</b>	<b>Q901446</b>	<b>Q901448</b>	<b>Q901450</b>	<b>Q901452</b>	<b>Q901454</b>	<b>Q90218</b>	<b>Q90228</b>	<b>Q901463</b>
0-1000 psi/kPa	-	-	-	-	-	-	-	-	-	-
0-2000 psi/kPa	-	-	-	-	-	-	-	-	-	-
0-3000 psi/kPa	-	-	-	-	-	-	-	-	-	-
0-5000 psi/kPa	-	-	-	-	-	-	-	-	-	-

### Option Suffix:

- Stainless Steel case available
- U-Clamp version available, please see pg.80 (90 Series Panel Mounted)
- 1301 - DP = 2" Maxi Pointer
- Other ranges, connections sizes available
- Restrictor screw
- MAXI25/E = 2.5" Maximum adjustable pointer assembly

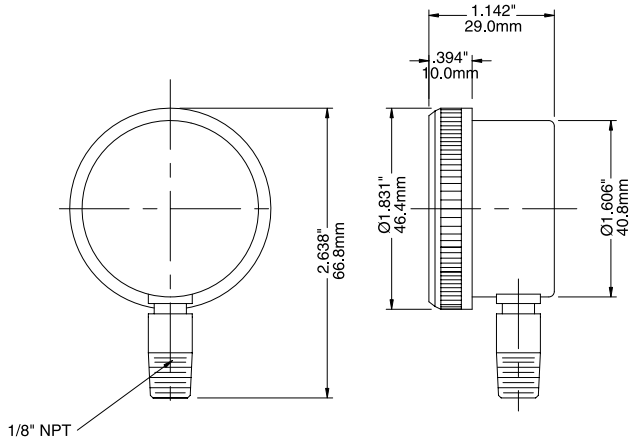
Quality



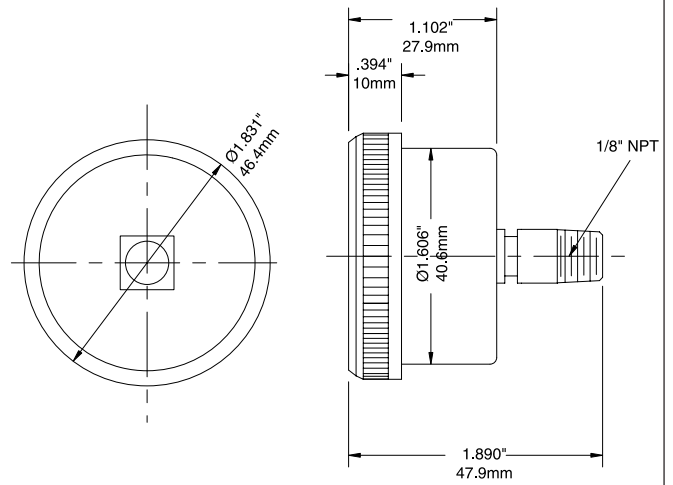
# 90 Series

Quality

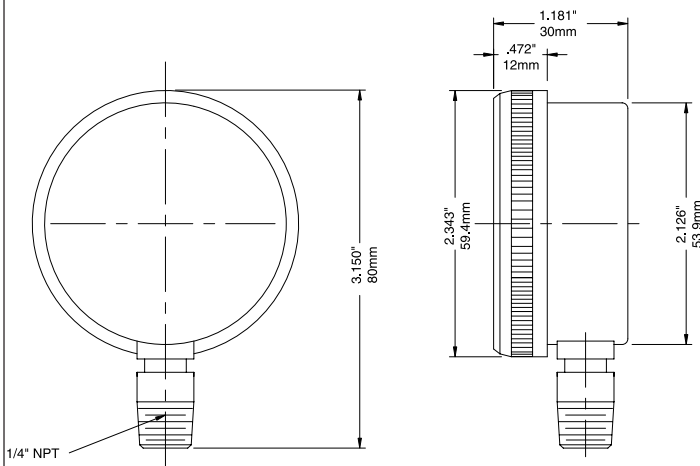
1 1/2" Bottom Connection



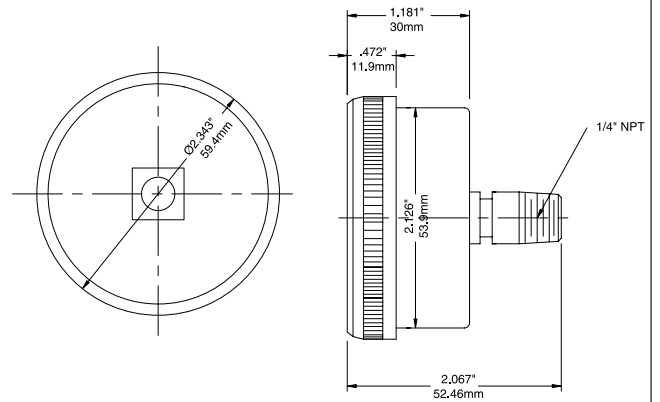
1 1/2" Back Connection



2" Bottom Connection

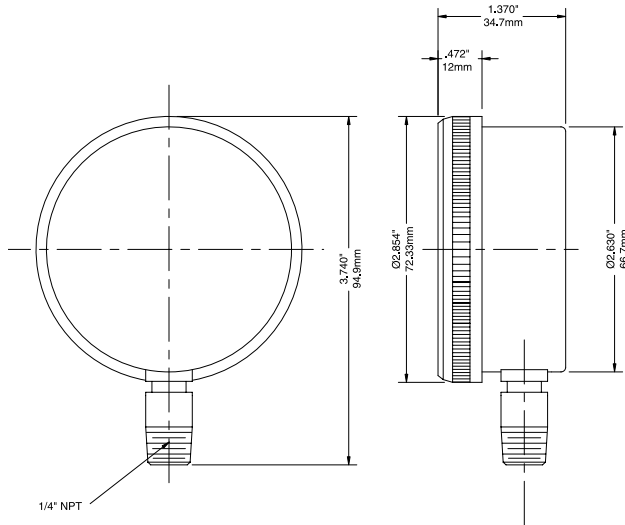


2" Back Connection

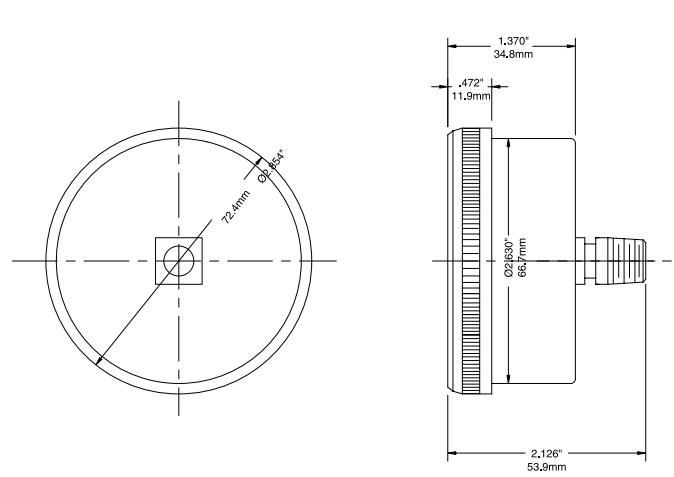


# 90 Series

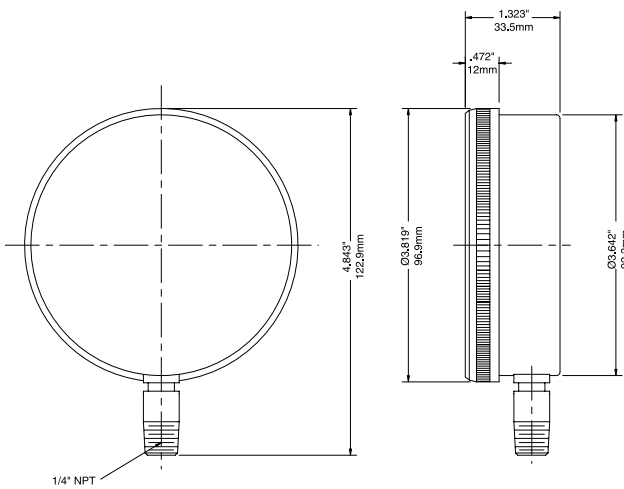
2 1/2" Bottom Connection



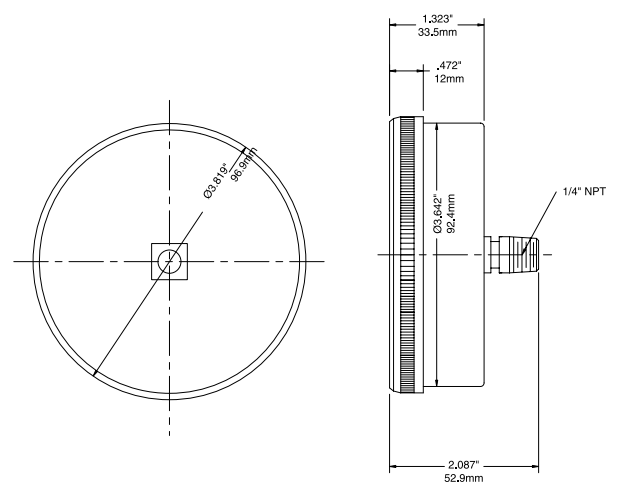
2 1/2" Back Connection



3 1/2" Bottom Connection



3 1/2" Back Connection



Quality

