

90 Series Panel Mounted



Removable Lens &
Zero Adjustment Screw

Quality

Description & Features:

- A general-purpose panel mounted gauge.
- Panel Mounted for 1.5" to 3.5" Dial Sizes
- "Flutterless" Pointer
- Dampened Movement
- Removable lens
- Zero-adjustment
- Grade B accuracy (2%-1%-2%)
- CRN Registered

Applications:

- Panels, compressor equipment, water and oil pumps, where rapid pressure fluctuations or system vibration requires a stable pointer

Specifications

Dial:	1 1/2" (40mm), 2" (50mm), 2 1/2" (63mm) and 3 1/2" (90mm), white aluminum with black and red markings
Case:	Steel painted black
Lens:	Polycarbonate, Threaded
Pointer:	Steel, painted black
Socket:	Brass
Connection:	1/8" NPT or 1/4" NPT standard
Bourdon Tube:	Phosphor Bronze
Movement:	Brass (flutterless movement)
Welding:	Silver alloy
Over-pressure Limit:	25% of full scale value
Working Pressure:	Maximum 75% of full scale value
Ambient Temperature:	-40°F to 150°F (-40°C to 65°C)
Process Temperature:	-40°F to 150°F (-40°C to 65°C)
Accuracy:	2-1-2% accuracy (ANSI/ASME Grade B)
Enclosure Rating:	IP52



90 Series Panel Mounted

Quality

PRODUCT CODES

How to order: Specify product code
Products shown in BOLD are normally in stock.

Dial Size	1 1/2" (40mm)	2" (50mm)	2" (50mm)	2 1/2" (63mm)	3 1/2" (90mm)
Case Material	Steel	Steel	Steel	Steel	Steel
Connection	Center Back	Center Back	Center Back	Center Back	Center Back
	1/8"	1/8"	1/4"	1/4"	1/4"
Movement, Socket, Tube	Brass	Brass	Brass	Brass	Brass
30" Hg. Vac./kPa	Q901397UC	Q901424UC	Q901428UC	Q901431UC	Q901455UC
30"-0-15 psi/kPa	-	-	-	-	-
30"-0-30 psi/kPa	-	-	-	-	-
30"-0-60 psi/kPa	-	-	-	-	-
30"-0-100 psi/kPa	-	-	-	-	-
0-15 psi/kPa	Q901399UC	Q901425UC	Q901429UC	Q901436UC	Q901464UC
0-30 psi/kPa	Q901400UC	Q901402UC	Q901403UC	Q901437UC	Q901456UC
0-60 psi/kPa	Q901401UC	Q901404UC	Q901405UC	Q901438UC	Q901457UC
0-100 psi/kPa	Q901420UC	Q901406UC	Q901407UC	Q901439UC	Q901458UC
0-160 psi/kPa	Q901421UC	Q901408UC	Q901409UC	Q901440UC	Q901459UC
0-200 psi/kPa	Q901422UC	Q901426UC	Q901410UC	Q901441UC	Q901460UC
0-300 psi/kPa	Q901423UC	Q901427UC	Q901411UC	Q901442UC	Q901461UC
0-400 psi/kPa	Q901443UC	Q901445UC	Q901447UC	Q901453UC	Q901462UC
0-600 psi/kPa	Q901444UC	Q901446UC	Q901448UC	Q901454UC	Q901463UC
Panel Cut-out	1.69" (43mm)	2.11" (53.5mm)	2.11" (53.5mm)	2.66" (67.5mm)	3.68" (93.5mm)
Overall O.D.	1.85" (47.7mm)	2.27" (57.9mm)	2.27" (57.9mm)	2.82" (71.9mm)	3.94" (98.9mm)

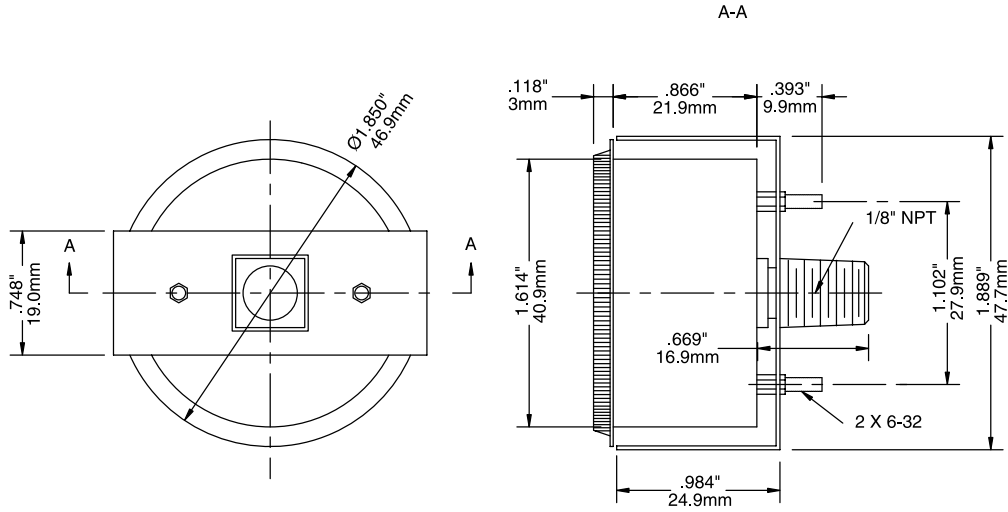
Option Suffix: • Other ranges, connections sizes available



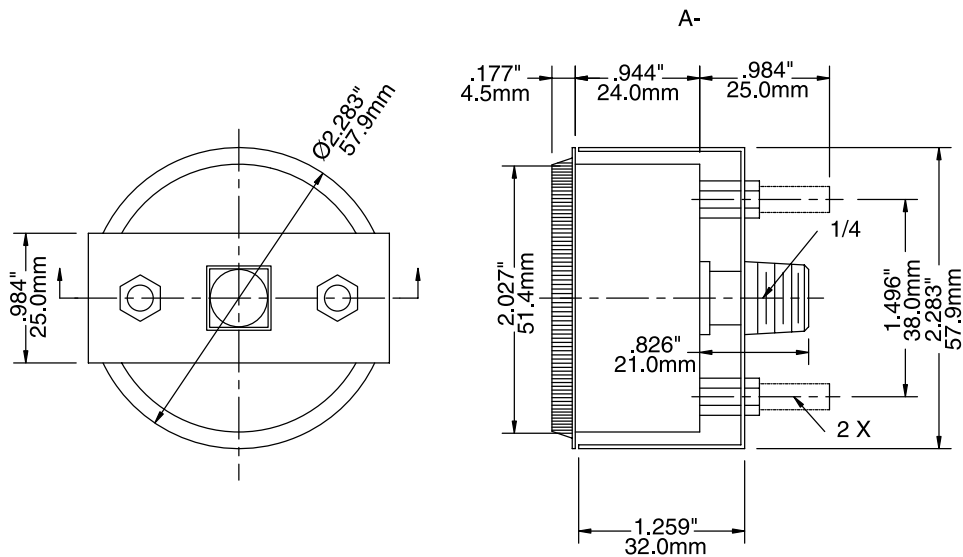
90 Series Panel Mounted

Quality

1.5" Back Connection, u-clamp

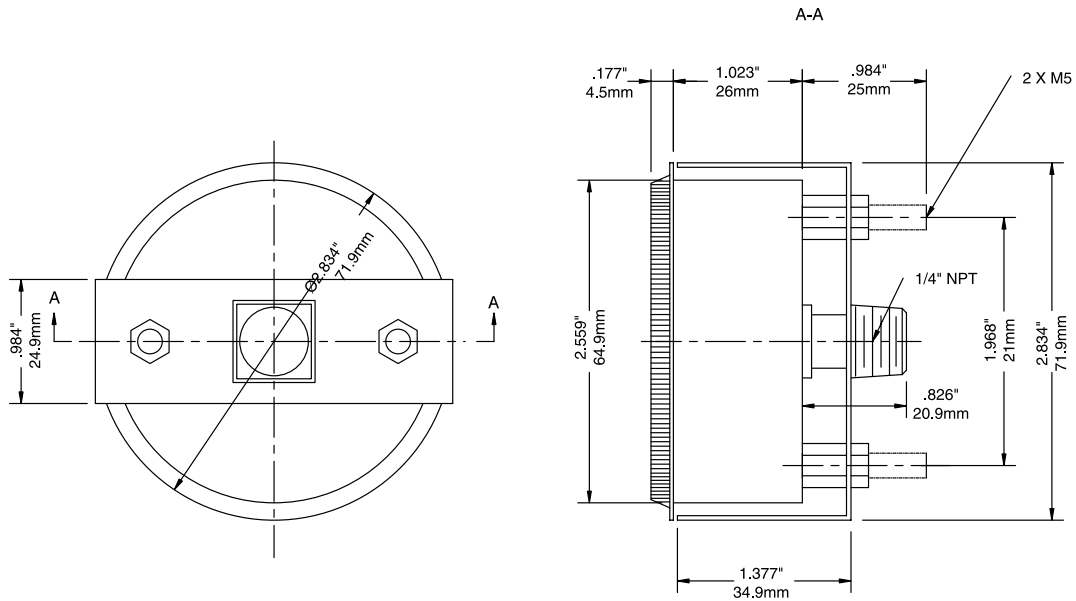


2" Back Connection, u-clamp

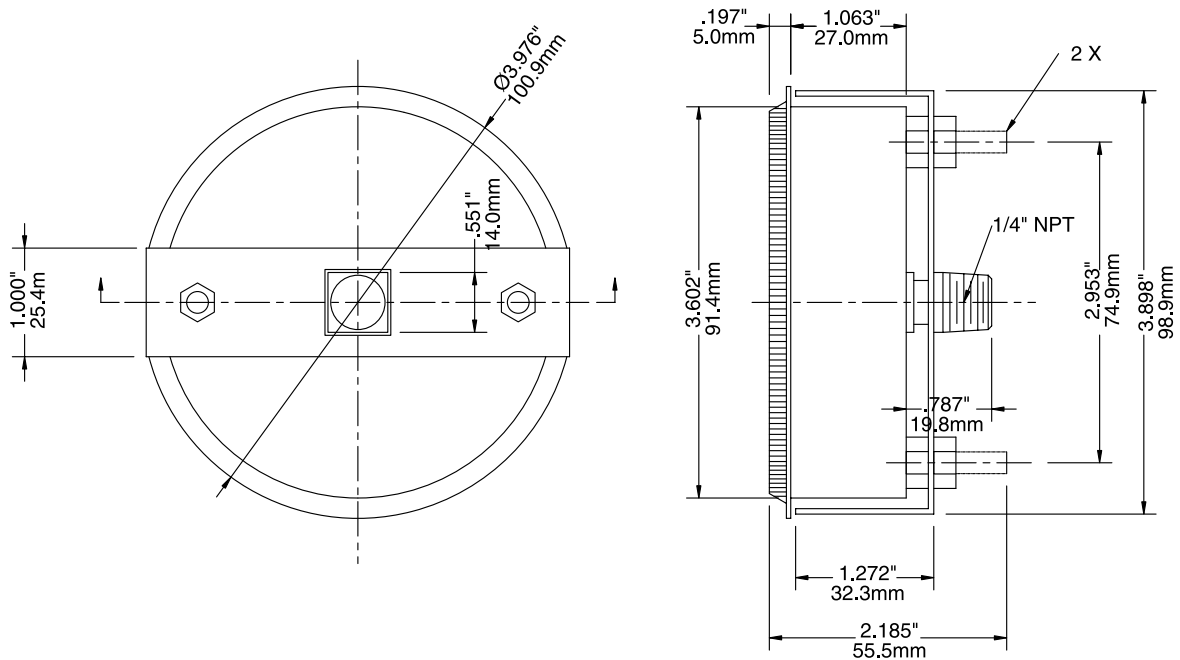


90 Series Panel Mounted

2.5" Back Connection, u-clamp



3.5" Back Connection, u-clamp



Quality

