

SALES & ENGINEERING DATA

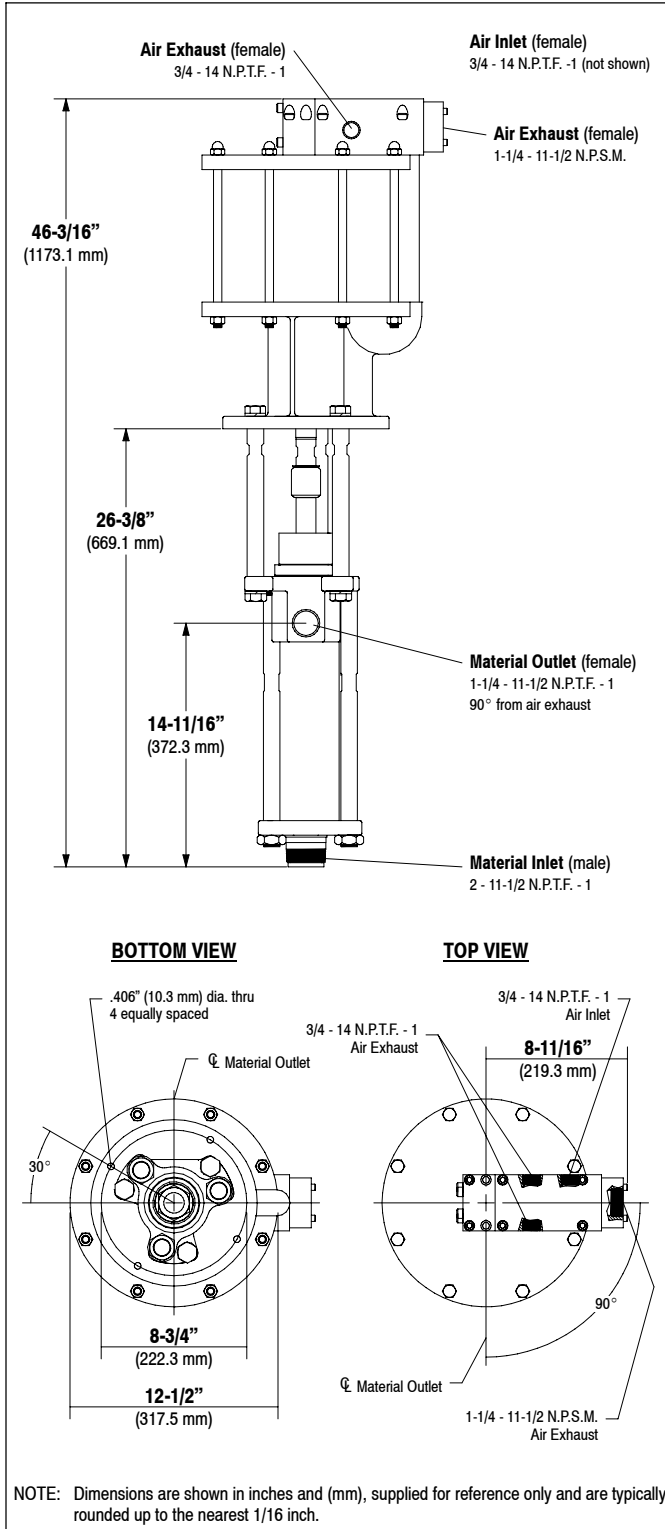
RATIO SERIES: **15:1**

FLUID P.S.I. RANGE: **450 - 1350**

613123-XXF-C TWO-BALL PUMP

RELEASED: 7-26-02
REVISED: 5-27-10
(REV. B) S-1011

DIMENSIONAL DATA



SPECIFICATIONS

CONSTRUCTION

Model Series (refer to option chart)	613123-XXF-C
Pump Type	Air Operated, Two-Ball, Double Acting Pump
Ratio	15:1
Air Motor	66651-B
Motor Repair Kit	637110
Motor Diameter	10" (254 mm)
Stroke	6" (152.4 mm)
Air Inlet (female)	3/4 - 14 N.P.T.F. - 1
Air Exhaust (female)	1-1/4 - 11-1/2 N.P.S.M.
Lower Pump End Series	66942-XXF
Lower Pump Repair Kit	637211-X63

Packing Options:

C	- UHMW-PE
K	- Carbon-Graphite filled PTFE with Nitrile Energizer
L	- Mineral filled PTFE
P	- UHMW-PE / Mineral filled PTFE staggered upper • UHMW-PE lower
R	- Mineral filled PTFE / UHMW-PE staggered upper • Mineral filled PTFE lower

Material Inlet (male)	2 - 11-1/2 N.P.T.F. - 1
Material Outlet (female)	1-1/4 - 11-1/2 N.P.T.F. - 1
Weight	125 lbs (56.7 kgs)

MATERIALS OF CONSTRUCTION

Outlet Body	316 Stainless Steel
Cylinder	304 Stainless Steel, Chrome plated
Plunger	321 Stainless Steel, Chrome plated
Upper Ball	316 Stainless Steel
Upper Seat	613123-X3F-C, -X6F-C: 316 Stainless Steel 613123-XCF-C, -XDF-C: Tungsten Carbide
Lower Ball	316 Stainless Steel
Lower Seat	613123-X3F-C, -X6F-C: 316 Stainless Steel 613123-XCF-C, -XDF-C: Tungsten Carbide
Inlet Body	316 Stainless Steel
Weight	125 lbs (56.7 kgs)

PERFORMANCE

Air Inlet Pressure Range	30 - 90 p.s.i. (2.1 - 6.2 bar)
Fluid Pressure Range	450 - 1350 p.s.i. (31.0 - 93.1 bar)
Maximum Rec'd Cycles / Minute	70
Displacement In³ Per Cycle	59.8
Volume / Cycle	33.1 oz. (979.6 ml)
Cycles Per Gallon	3.9
Flow @ 70 Cycles / Minute	18.1 g.p.m. (68.6 l.p.m.)
Noise Level @ 60 p.s.i. - 40 c.p.m.	84.8 db(A)①

① Tested with 66718 Muffler installed. The pump sound pressure level has been updated to an Equivalent Continuous Sound Level (L_{Aeq}) to meet the intent of ANSI S1.13-1971, CAGI-PNEUROP S5.1 using four microphone locations.

ACCESSORIES:

- 65139 Floor Mount
- 66542 Wall Mount Bracket
- 66718 Silencer

PERFORMANCE CURVES

