

SALES & ENGINEERING DATA

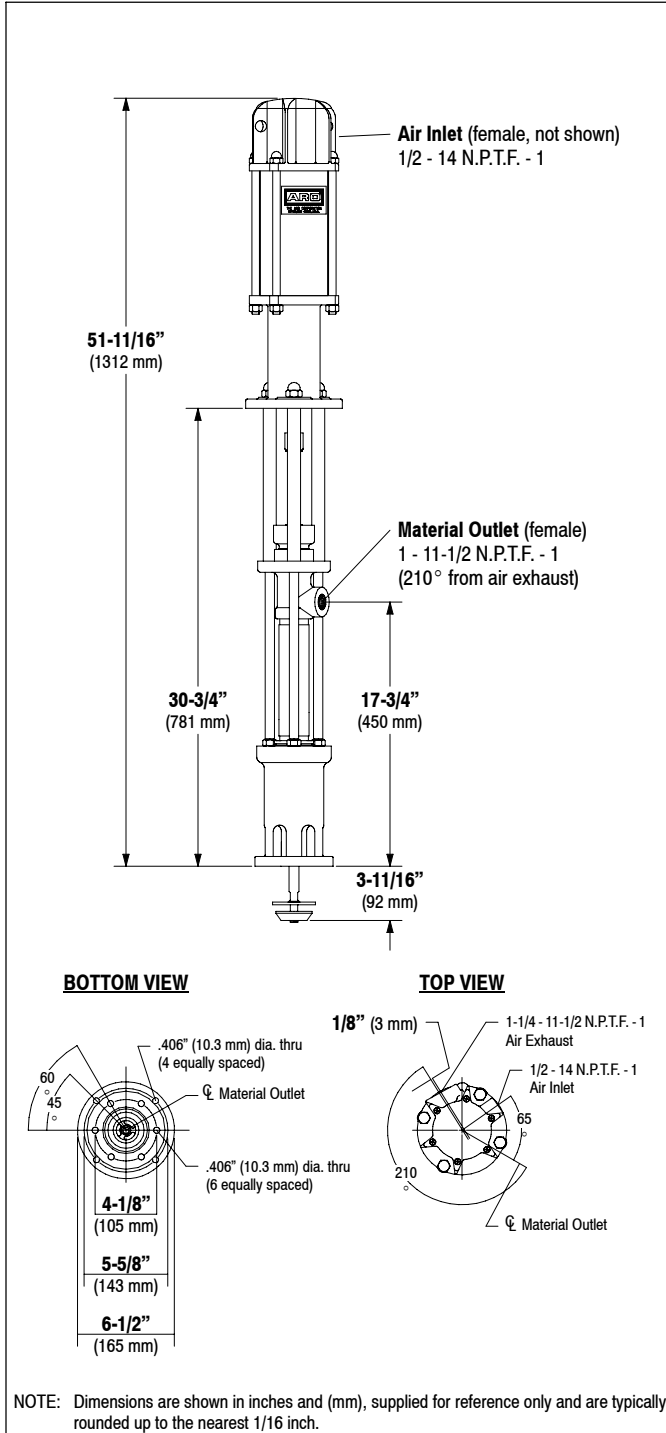
RATIO SERIES: **12:1**

FLUID P.S.I. RANGE: **0 - 2085**

650491-XX3-B EXTRUSION PUMP

RELEASED: 11-6-98
REVISED: 5-27-10
(REV. 02) S-1060

DIMENSIONAL DATA



SPECIFICATIONS

CONSTRUCTION

Model Series (refer to option chart)	650491-XX3-B
Pump Type	Air Operated, Extrusion, Double Acting Pump
Ratio	12:1
Air Motor	65465-B
Motor Repair Kit	61268
Motor Diameter	4-1/4" (107.9 mm)
Stroke	6" (152.4 mm)
Air Inlet (female)	1/2 - 14 N.P.T.F. - 1
Air Exhaust (female)	1-1/4 - 11-1/2 N.P.T.F. - 1
Lower Pump End Series	66243-XX3-B
Lower Pump Repair Kit	637071-X43-B
Packing Options:	

- 3 - Glass Filled PTFE (upper and lower)
- C - UHMW-PE (upper and lower)
- G - UHMW-PE / Leather staggered (upper and lower)
- P - UHMW-PE / Glass Filled PTFE staggered (upper) UHMW-PE (lower)
- R - Glass Filled PTFE / UHMW-PE staggered (upper) Glass Filled PTFE (lower)

Material Inlet immersed
Material Outlet (female) 1 - 11-1/2 N.P.T.F. - 1

MATERIALS OF CONSTRUCTION

Outlet Body	Ductile Iron, E Nickel coated
Cylinder	Carbon Steel, Nickel plated
Plunger	17-4 Stainless Steel, Hard Chrome plated
Upper Check	440 Stainless Steel
Upper Seat	440 Stainless Steel
Lower Check	440 Stainless Steel
Lower Seat	440 Stainless Steel
Inlet Body	Ductile Iron, E Nickel coated
Weight	64 lbs (29.0 kgs)

PERFORMANCE

Air Inlet Pressure Range	0 - 150 p.s.i. (0 - 10.3 bar)
Fluid Pressure Range	0 - 2085 p.s.i. (0 - 143.8 bar)
Max. Rec'd Cycles / Minute	60
Displacement In³ Per Cycle	12.6
Volume / Cycle	7.0 oz. (206.4 ml)
Cycles Per Gallon	18.3
Flow @ 60 Cycles / Minute	3.3 g.p.m. (12.4 l.p.m.)
Noise Level @ 60 p.s.i. - 40 c.p.m.	80.0 db(A)①

① Tested with 91790 Muffler installed. The pump sound pressure level has been updated to an Equivalent Continuous Sound Level (L_{Aeq}) to meet the intent of ANSI S1.13-1971, CAGI-PNEUROP S5.1 using four microphone locations.

ACCESSORIES:

- 66101 Wall Mount Bracket
- 67187-1 Mounting Post
- 91790 Silencer

INGERSOLL RAND COMPANY LTD

209 NORTH MAIN STREET - BRYAN, OHIO 43506

③ (800) 495-0276 • FAX(800) 892-6276

© 2010

CCN 15268576

www.ingersollrandproducts.com

ARO

IR Ingersoll Rand
Industrial Technologies

PERFORMANCE CURVES

