

SALES & ENGINEERING DATA

RATIO SERIES: **23:1**

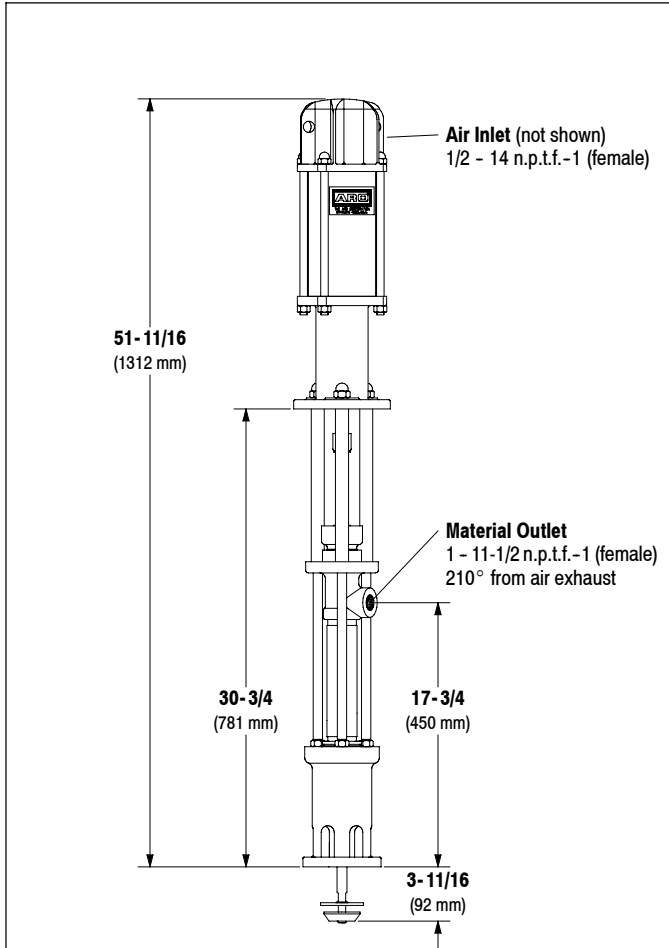
FLUID PSI RANGE: **0 - 3690**

650492-X43-B

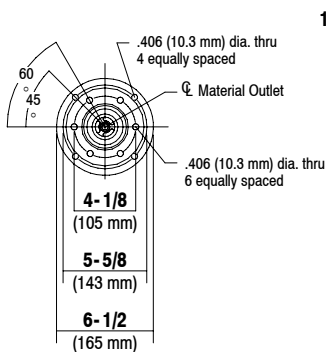
EXTRUSION PUMP

RELEASED: 11-6-98
 REVISED: 5-27-10
 (REV. 02) S-1062

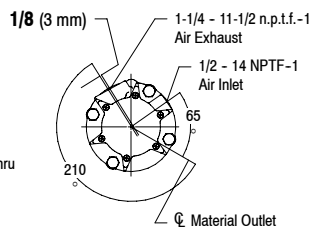
DIMENSIONAL DATA



BOTTOM VIEW



TOP VIEW



NOTE: Dimensions are shown in inches and (mm), supplied for reference only and are typically rounded up to the nearest 1/16 inch.

SPECIFICATIONS

CONSTRUCTION

- Model Series** (refer to option chart) 650492-X43-B
- Pump Type** Air Operated, Extrusion, Double Acting Pump
- Ratio** 23:1
- Air Motor** 65465-B
- Motor Repair Kit** 61268
- Motor Diameter** 4-1/4" (107.9 mm)
- Stroke** 6" (152.4 mm)
- Air Inlet** 1/2 - 14 n.p.t.f.-1 (female)
- Air Exhaust** 1-1/4 - 11-1/2 n.p.t.f.-1 (female)
- Lower Pump End Series** ... 66266-X43-B
- Lower Pump Repair Kit** . 637074-X43-B
- Packing Options:**

- 3 - Glass Filled PTFE
- C - UHMW-PE
- G - UHMW-PE / Leather staggered
- P - UHMW-PE / PTFE staggered upper • UHMW-PE lower
- R - PTFE / UHMW-PE staggered upper • PTFE lower

- Material Inlet** immersed
- Material Outlet** 1 - 11-1/2 n.p.t.f. - 1 (female)

MATERIALS OF CONSTRUCTION

- Outlet Body** Ductile Iron, E Nickel plated
- Cylinder** Carbon Steel, Nickel plated
- Plunger** 17-4 Stainless Steel, Chrome plated
- Upper Check** 440 Stainless Steel
- Upper Seat** 440 Stainless Steel
- Lower Check** 440 Stainless Steel
- Lower Seat** 440 Stainless Steel
- Inlet Body** Ductile Iron, Nickel plated
- Weight** 63.7 lbs (28.9 kgs)

PERFORMANCE

- Air Inlet Pressure Range** 0 - 150 p.s.i. (0 - 10.3 bar)
- Fluid Pressure Range** 0 - 3690 p.s.i. (0 - 254.5 bar)
- Max. Rec'd Cycles / Minute** ... 60
- Displacement In³ Per Cycle** ... 6.97
- Volume / Cycle** 3.9 oz. (114.2 ml)
- Cycles Per Gallon** 33.1
- Flow @ 60 Cycles / Minute** ... 1.8 g.p.m. (6.9 l.p.m.)
- Noise Level @ 60 p.s.i. - 40 c.p.m.** 80.0 db(A)①

① Tested with 91790 Muffler installed. The pump sound pressure level has been updated to an Equivalent Continuous Sound Level (L_{Aeq}) to meet the intent of ANSI S1. 13-1971, CAGI-PNEUROP S5.1 using four microphone locations.

ACCESSORIES:

- 66101 Wall Mount Bracket
- 67187-1 Mounting Post
- 91790 Silencer

INGERSOLL RAND COMPANY LTD

209 NORTH MAIN STREET - BRYAN, OHIO 43506

① (800) 495-0276 • FAX(800) 892-6276

© 2010

CCN 15268584

www.ingersollrandproducts.com

ARO

IR Ingersoll Rand
 Industrial Technologies

PERFORMANCE CURVES

