

# SALES & ENGINEERING DATA

**RATIO SERIES: 4:1**

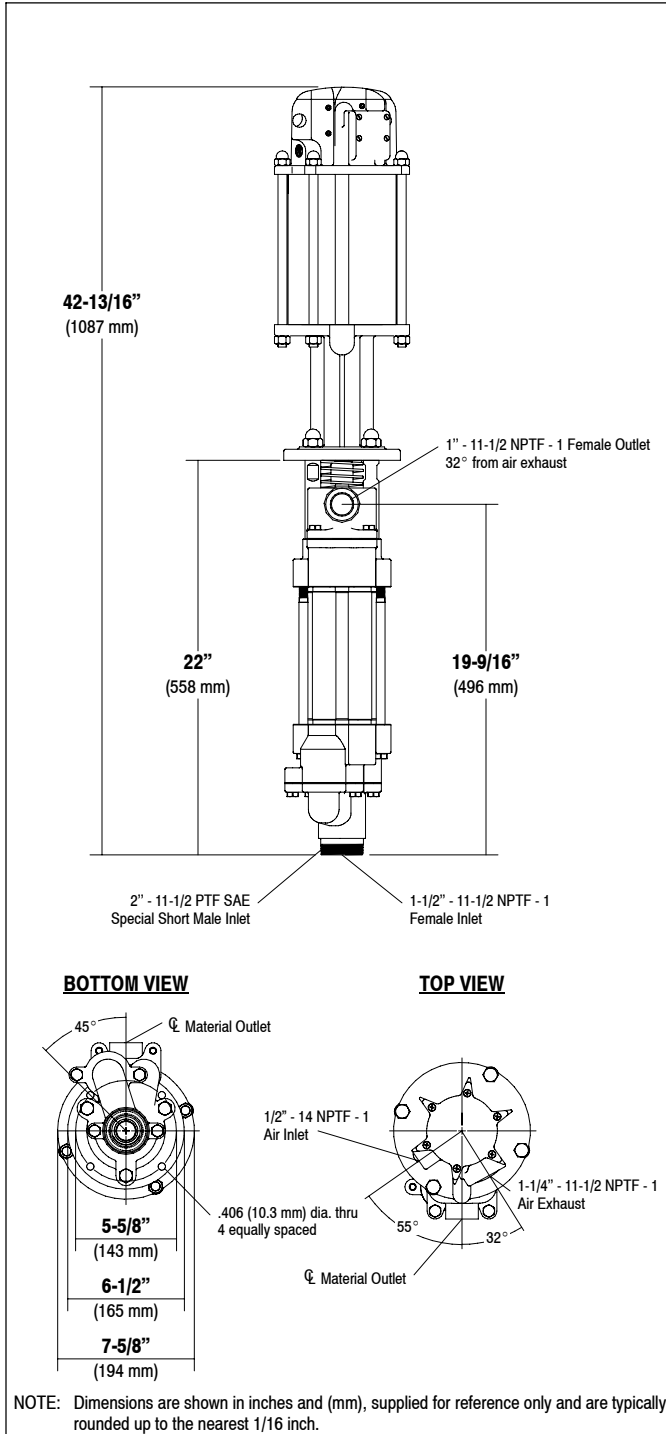
**FLUID PSI RANGE: 120 - 633**

**650639-X4X**

## FOUR - BALL PUMP

RELEASED: 9-25-98  
 REVISED: 5-27-10  
 (REV. 03) S-938

### DIMENSIONAL DATA



### SPECIFICATIONS

#### CONSTRUCTION

|   |   |
|---|---|
| <b>Model Series</b> (refer to option chart) | 650639-X4X                                  |
| <b>Pump Type</b>                            | Air Operated, Four-Ball, Double Acting Pump |
| <b>Ratio</b>                                | 4:1   |
| <b>Air Motor</b>                            | 65665-B                                     |
| <b>Motor Repair Kit</b>                     | 61355                                       |
| <b>Motor Diameter</b>                       | 6" (15.2 cm)                                |
| <b>Stroke</b>                               | 6" (15.2 cm)                                |
| <b>Air Inlet</b>                            | 1/2" - 14 n.p.t.f. - 1 (female)             |
| <b>Air Exhaust</b>                          | 1-1/4" - 11-1/2 n.p.t.f. - 1 (female)       |
| <b>Lower Pump End Series</b>                | 67200-X4X                                   |
| <b>Lower Pump Repair Kit</b>                | 637317-X4B                                  |
| <b>Packing Options:</b>                     |   |

- 7 - PTFE
- C - UHMW-PE
- F - UHMW-PE / Leather staggered upper • UHMW-PE lower
- P - UHMW-PE / PTFE staggered upper • UHMW-PE lower
- R - PTFE / UHMW-PE staggered upper • PTFE lower

#### Material Inlet

Female thread . . . . . 1-1/2" - 11-1/2 n.p.t.f. - 1  
 Male thread . . . . . 2" - 11-1/2 p.t.f. SAE spec. short

**Material Outlet** . . . . . 1" - 11-1/2 n.p.t.f. - 1 (female)

#### MATERIALS OF CONSTRUCTION

|                        |   |
|------------------------|---|
| <b>Outlet Body</b>     | CF-8M Stainless Steel                                     |
| <b>Cylinder</b> (-X4B) | 304 Stainless Steel, Ceramic coating                      |
|                        | (-X43) . . . . . 304 Stainless Steel, hard chrome plated  |
| <b>Plunger</b> (-X4B)  | 17-4 Stainless Steel, Ceramic coating                     |
|                        | (-X43) . . . . . 17-4 Stainless Steel, hard chrome plated |
| <b>Upper Ball</b>      | 316 Stainless Steel                                       |
| <b>Upper Seat</b>      | 17-4 Stainless Steel                                      |
| <b>Lower Ball</b>      | 316 Stainless Steel                                       |
| <b>Lower Seat</b>      | 17-4 Stainless Steel                                      |
| <b>Inlet Body</b>      | CF-8M Stainless Steel                                     |
| <b>Weight</b>          | 71.25 lbs (32.3 kgs)                                      |

#### PERFORMANCE

|  |                                   |
|--|-----------------------------------|
| <b>Air Inlet Pressure Range</b>              | 30 - 150 p.s.i. (2.1 - 10.3 bar)  |
| <b>Fluid Pressure Range</b>                  | 120 - 633 p.s.i. (4.1 - 43.7 bar) |
| <b>Max. Rec'd Cycles / Minute</b>            | 60                                |
| <b>Displacement In<sup>3</sup> Per Cycle</b> | 82.1                              |
| <b>Volume / Cycle</b>                        | 45.5 oz. (1344 ml)                |
| <b>Cycles Per Gallon</b>                     | 2.8                               |
| <b>Flow @ 60 Cycles / Minute</b>             | 21.3 g.p.m. (80.6 l.p.m.)         |
| <b>Noise Level @ 60 p.s.i. - 40 c.p.m.</b>   | 84.8 db(A) <sup>①</sup>           |

<sup>①</sup> Tested with 91790 Muffler installed. The pump sound pressure level has been updated to an Equivalent Continuous Sound Level (L<sub>Aeq</sub>) to meet the intent of ANSI S1. 13-1971, CAGI-PNEUROP S5.1 using four microphone locations.

#### ACCESSORIES:

- 66101 Wall Mount Bracket
- 67187-1 Mounting Post
- 91790 Silencer

# PERFORMANCE CURVES

