

SALES & ENGINEERING DATA

RATIO SERIES: **65:1**

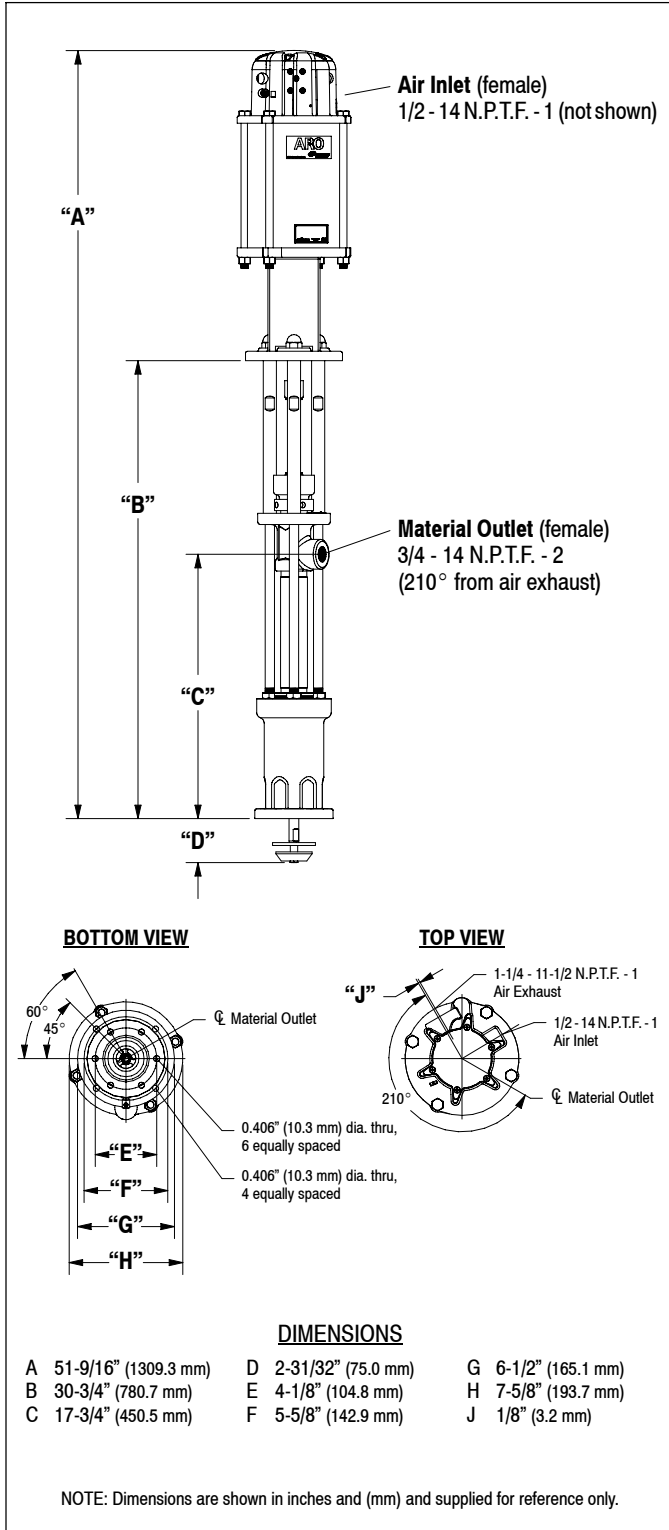
FLUID P.S.I. RANGE: **0 - 7475**

650698-XXX

EXTRUSION PUMP

RELEASED: 2-8-08
 REVISED: 5-27-10
 (Rev. 02) S-1432

DIMENSIONAL DATA



SPECIFICATIONS

CONSTRUCTION

Model Series (refer to option chart)	650698-XXX
Pump Type	Air Operated, Extrusion, Double Acting Pump
Ratio	65:1
Air Motor	65665-B
Motor Repair Kit	61355
Motor Diameter	6" (152.4 mm)
Stroke	6" (152.4 mm)
Air Inlet (female)	1/2 - 14 N.P.T.F. - 1
Air Exhaust (female)	1-1/4 - 11-1/2 N.P.T.F. - 1
Lower Pump End Series	67348-XXX
Lower Pump Repair Kit	637464-XXX

Packing Options:

C - UHMW-PE
L - Mineral filled PTFE
P - UHMW-PE / Mineral filled PTFE staggered upper • UHMW-PE lower
R - Mineral filled PTFE / UHMW-PE staggered upper • Mineral filled PTFE lower

Material Outlet (female) 3/4 - 14 N.P.T.F. - 2

MATERIALS OF CONSTRUCTION

Outlet Body	Ductile Iron
Cylinder	15-5 Stainless Steel, Chrome plated
Plunger	17-4 Stainless Steel, Chrome plated
Upper Check	440 Stainless Steel
Upper Seat	440 Stainless Steel
Lower Check	440 Stainless Steel
Lower Seat	440 Stainless Steel
Inlet Body	Ductile Iron, Nickel plated
Weight	67 lbs (30.4 kgs)

PERFORMANCE

Air Inlet Pressure Range	0 - 115 p.s.i. (0 - 7.9 bar)
Fluid Pressure Range	0 - 7475 p.s.i. (0 - 515.5 bar)
Max. Rec'd Cycles / Minute	60
Displacement In ³ Per Cycle	5.16
Volume / Cycle	2.86 oz. (84.5 ml)
Cycles Per Gallon	44.8
Flow @ 60 Cycles / Minute	1.3 g.p.m. (5.1 l.p.m.)
Noise Level @ 60 p.s.i. - 40 c.p.m.	83.0 db(A) ^①

① Tested with 91790 muffler installed. The pump sound pressure level has been updated to an Equivalent Continuous Sound Level (L_{Aeq}) to meet the intent of ANSI S1.13-1971, CAGI-PNEUROP S5.1 using four microphone locations.

ACCESSORIES:

- 65138 Floor Mount
- 91790 Silencer

PERFORMANCE CURVES

