

SALES & ENGINEERING DATA

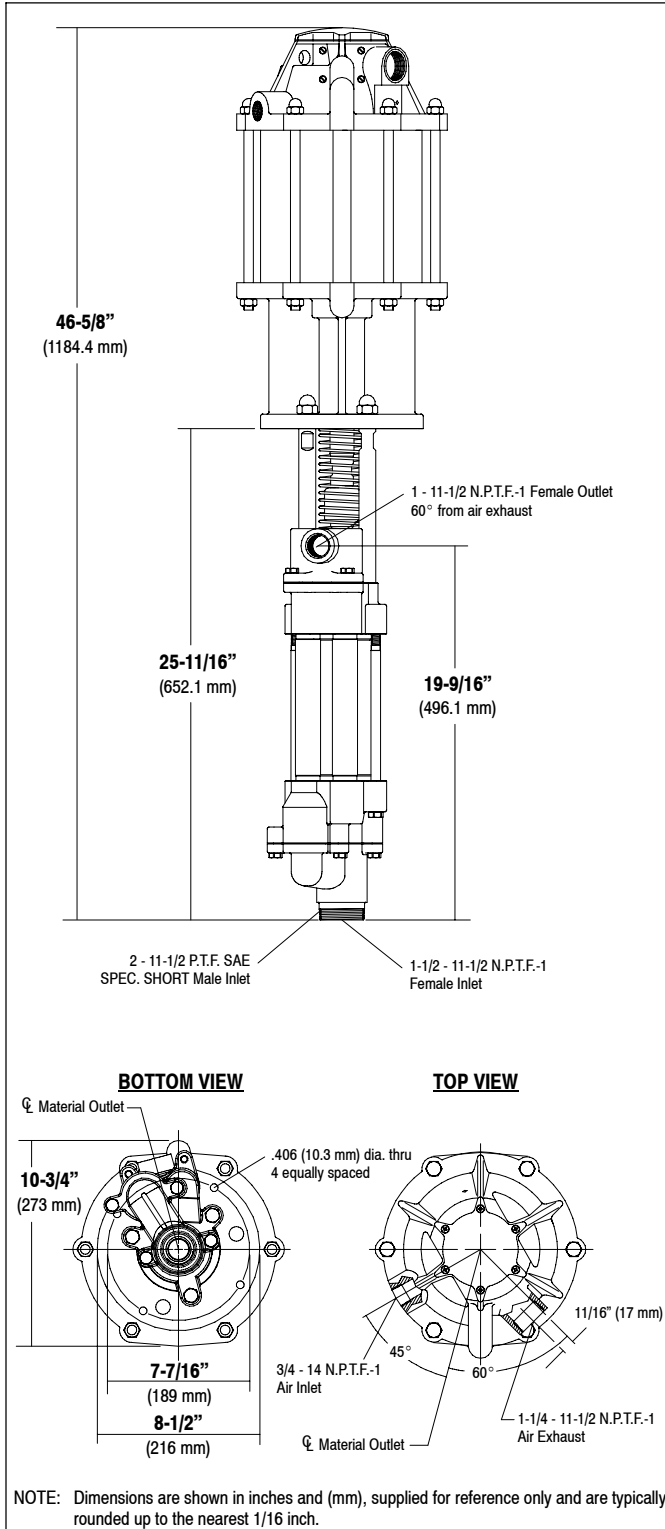
RATIO SERIES: **7:1**

FLUID P.S.I. RANGE: **210 - 1009**

650839-X4G-B FOUR BALL PUMP

RELEASED: 2-6-02
REVISED: 9-23-11
(REV. C) S-1013

DIMENSIONAL DATA



SPECIFICATIONS

CONSTRUCTION

Model Series (refer to option chart)	650839-X4G-B
Pump Type	Air Operated, Four Ball, Double Acting Pump
Ratio	7:1
Air Motor	66523-B
Motor Repair Kit	66614
Motor Diameter	8" (20.3 cm)
Stroke	6" (15.2 cm)
Air Inlet (female)	3/4 - 14 N.P.T.F.-1
Air Exhaust (female)	1-1/4 - 11-1/2 N.P.T.F.-1
Lower Pump End Series	67200-X4G
Lower Pump Repair Kit	637317-X4G
Packing Options:	

- 7 - Glass Filled PTFE (Upper) • Virgin PTFE (Lower)
- C - UHMW-PE (Upper and Lower)
- F - UHMW-PE / Leather Staggered (Upper) • UHMW-PE (Lower)
- P - UHMW-PE / PTFE Staggered (Upper) • UHMW-PE (Lower)
- R - PTFE / UHMW-PE Staggered (Upper) • Virgin PTFE (Lower)

Material Inlet

Female thread	1-1/2 - 11-1/2 N.P.T.F.-1
Male thread	2 - 11-1/2 P.T.F. (SHORT)

Material Outlet (female) 1 - 11-1/2 N.P.T.F.-1

MATERIALS OF CONSTRUCTION

Outlet Body	CF-8M Stainless Steel
Cylinder	304 Stainless Steel, Ceramic coating
Plunger	17-4 Stainless Steel, Ceramic coating
Upper Ball	316 Stainless Steel
Upper Seat	17-4 Stainless Steel
Lower Ball	316 Stainless Steel
Lower Seat	17-4 Stainless Steel
Inlet Body	CF-8M Stainless Steel
Weight	94 lbs (42.6 kgs)

PERFORMANCE

Air Inlet Pressure Range	30 - 120 p.s.i. (2.1 - 8.3 bar)
Fluid Pressure Range	210 - 1009 p.s.i. (14.5 - 69.6 bar)
Max. Rec'd Cycles / Minute	70
Displacement In ³ Per Cycle	77.5
Volume / Cycle	42.9 oz. (1269 ml)
Cycles Per Gallon	2.98
Flow @ 70 Cycles / Minute	23.5 g.p.m. (88.8 l.p.m.)
Noise Level @ 60 p.s.i. - 40 c.p.m.	89.8 db(A) ^①

① Tested with 92460 Muffler installed. The pump sound pressure level has been updated to an Equivalent Continuous Sound Level (L_{Aeq}) to meet the intent of ANSI S1.13-1971, CAGI-PNEUROP S5.1 using four microphone locations.

ACCESSORIES:

- 92460 Silencer
- 66542 Wall Bracket
- 67187-1 Mounting Post

PERFORMANCE CURVES

