

SALES & ENGINEERING DATA

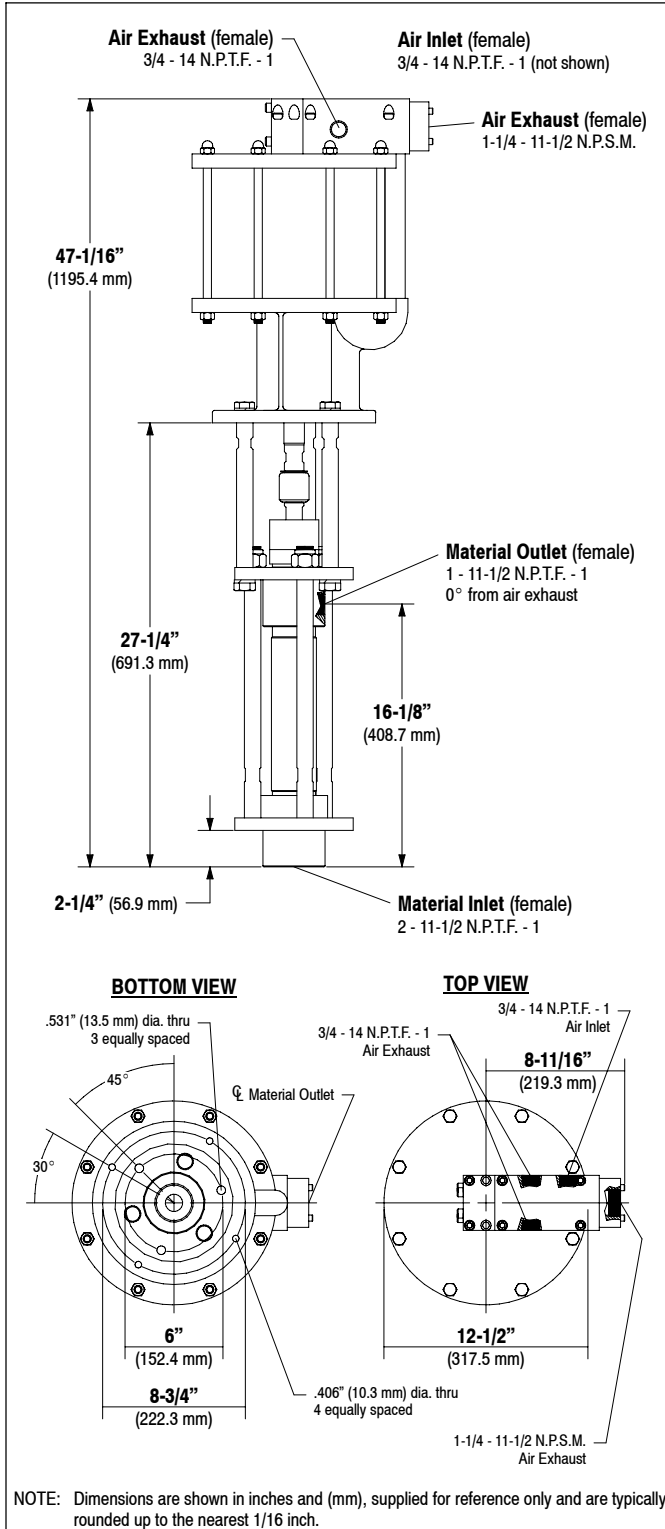
RATIO SERIES: **45:1**

FLUID P.S.I. RANGE: **0 - 4050**

650863-X4D-B TWO-BALL PUMP

RELEASED: 10-2-01
REVISED: 5-26-10
(REV. 02) S-1015

DIMENSIONAL DATA



SPECIFICATIONS

CONSTRUCTION

Model Series (refer to option chart)	650863-X4D-B
Pump Type	Air Operated, Two-Ball, Double Acting Pump
Ratio	45:1
Air Motor	66651-B
Motor Repair Kit	637110
Motor Diameter	10" (254 mm)
Stroke	6" (152.4 mm)
Air Inlet (female)	3/4 - 14 N.P.T.F. - 1
Air Exhaust (female)	1-1/4 - 11-1/2 N.P.S.M.
Lower Pump End Series	66475-X4D
Lower Pump Repair Kit	637098-X43
Packing Options:	

3 - Glass Filled PTFE
C - UHMW-PE
G - UHMW-PE / Leather staggered
P - UHMW-PE / Glass Filled PTFE staggered upper • UHMW-PE lower
R - Glass Filled PTFE / UHMW-PE staggered upper • Glass Filled PTFE lower

Material Inlet (female)	2 - 11-1/2 N.P.T.F. - 1
Material Outlet (female)	1 - 11-1/2 N.P.T.F. - 1

MATERIALS OF CONSTRUCTION

Outlet Body	Carbon Steel, Nickel plated
Cylinder	420 Stainless Steel
Plunger	17-4 Stainless Steel, Hard Chrome
Upper Ball	440 Stainless Steel
Upper Seat	440 Stainless Steel
Lower Ball	440 Stainless Steel
Lower Seat	440 Stainless Steel
Inlet Body	Carbon Steel, Nickel plated
Weight	132 lbs (59.9 kgs)

PERFORMANCE

Air Inlet Pressure Range	30 - 90 p.s.i. (2.1 - 6.2 bar)
Fluid Pressure Range	1350 - 4050 p.s.i. (93.1 - 279.3 bar)
Maximum Rec'd Cycles / Minute	70
Displacement In³ Per Cycle	20.7
Volume / Cycle	11.5 oz. (339.1 ml)
Cycles Per Gallon	11.2
Flow @ 70 Cycles / Minute	6.27 g.p.m. (23.7 l.p.m.)
Noise Level @ 60 p.s.i. - 40 c.p.m.	84.8 db(A)①

① Tested with 66718 muffler installed. The pump sound pressure level has been updated to an Equivalent Continuous Sound Level (L_{Aeq}) to meet the intent of ANSI S1.13-1971, CAGI-PNEUROP S5.1 using four microphone locations.

ACCESSORIES:

- 65139 Floor Mount
- 66542 Wall Mount Bracket
- 66718 Silencer

PERFORMANCE CURVES

