

# SALES & ENGINEERING DATA

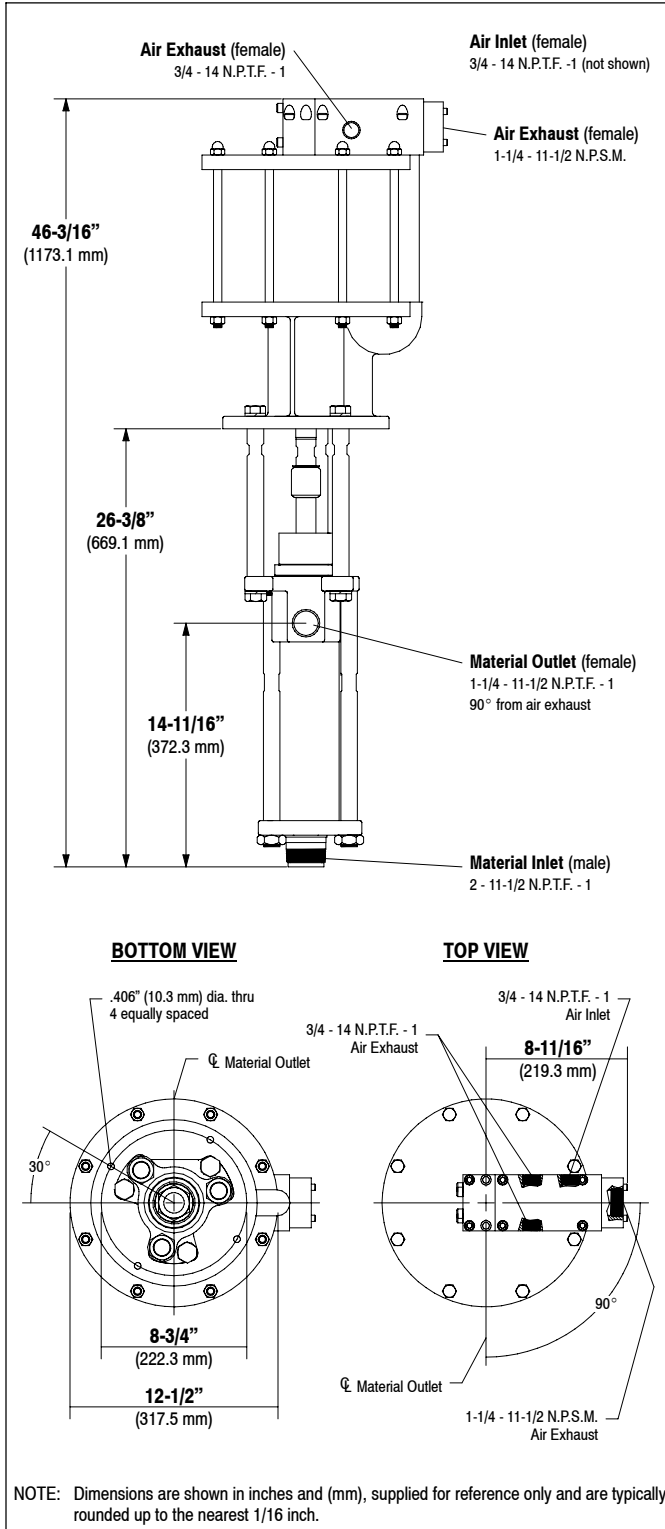
RATIO SERIES: **15:1**

FLUID P.S.I. RANGE: **450 - 1350**

## 650867-XXD-B TWO-BALL PUMP

RELEASED: 9-28-01  
REVISED: 5-26-10  
(REV. C) S-1018

### DIMENSIONAL DATA



### SPECIFICATIONS

#### CONSTRUCTION

<b>Model Series</b> (refer to option chart)	650867-XXD-B
<b>Pump Type</b>	Air Operated, Two-Ball, Double Acting Pump
<b>Ratio</b>	15:1
<b>Air Motor</b>	66651-B
<b>Motor Repair Kit</b>	637110
<b>Motor Diameter</b>	10" (254 mm)
<b>Stroke</b>	6" (152.4 mm)
<b>Air Inlet (female)</b>	3/4 - 14 N.P.T.F. - 1
<b>Air Exhaust (female)</b>	1-1/4 - 11-1/2 N.P.S.M.
<b>Lower Pump End Series</b>	66941-XXD
<b>Lower Pump Repair Kit</b>	637211-X63
<b>Packing Options:</b>	

C	UHMW-PE
K	Carbon-Graphite filled PTFE with Nitrile Energizer
L	Mineral filled PTFE
P	UHMW-PE / Mineral filled PTFE staggered upper • UHMW-PE lower
R	Mineral filled PTFE / UHMW-PE staggered upper • Mineral filled PTFE lower

<b>Material Inlet (male)</b>	2 - 11-1/2 N.P.T.F. - 1
<b>Material Outlet (female)</b>	1-1/4 - 11-1/2 N.P.T.F. - 1
<b>Weight</b>	125 lbs (56.7 kgs)

#### MATERIALS OF CONSTRUCTION

<b>Outlet Body</b>	316 Stainless Steel
<b>Cylinder</b>	15-5 Stainless Steel, Chrome plated
<b>Plunger</b>	15-5 Stainless Steel, Chrome plated
<b>Upper Ball</b>	440 Stainless Steel
<b>Upper Seat</b>	650867-X6D-B ... 440 Stainless Steel 650867-XDD-B ... Tungsten Carbide
<b>Lower Ball</b>	440 Stainless Steel
<b>Lower Seat</b>	650867-X6D-B ... 440 Stainless Steel 650867-XDD-B ... Tungsten Carbide
<b>Inlet Body</b>	316 Stainless Steel
<b>Weight</b>	125 lbs (56.7 kgs)

#### PERFORMANCE

<b>Air Inlet Pressure Range</b>	30 - 90 p.s.i. (2.1 - 6.2 bar)
<b>Fluid Pressure Range</b>	450 - 1350 p.s.i. (31.0 - 93.1 bar)
<b>Maximum Rec'd Cycles / Minute</b>	70
<b>Displacement In<sup>3</sup> Per Cycle</b>	59.8
<b>Volume / Cycle</b>	33.1 oz. (979.6 ml)
<b>Cycles Per Gallon</b>	3.9
<b>Flow @ 70 Cycles / Minute</b>	18.1 g.p.m. (68.6 l.p.m.)
<b>Noise Level @ 60 p.s.i. - 40 c.p.m.</b>	84.8 db(A)①

① Tested with 66718 Muffler installed. The pump sound pressure level has been updated to an Equivalent Continuous Sound Level (L<sub>Aeq</sub>) to meet the intent of ANSI S1.13-1971, CAGI-PNEUROP S5.1 using four microphone locations.

#### ACCESSORIES:

- 65139 Floor Mount
- 66542 Wall Mount Bracket
- 66718 Silencer

# PERFORMANCE CURVES

