

SALES & ENGINEERING DATA

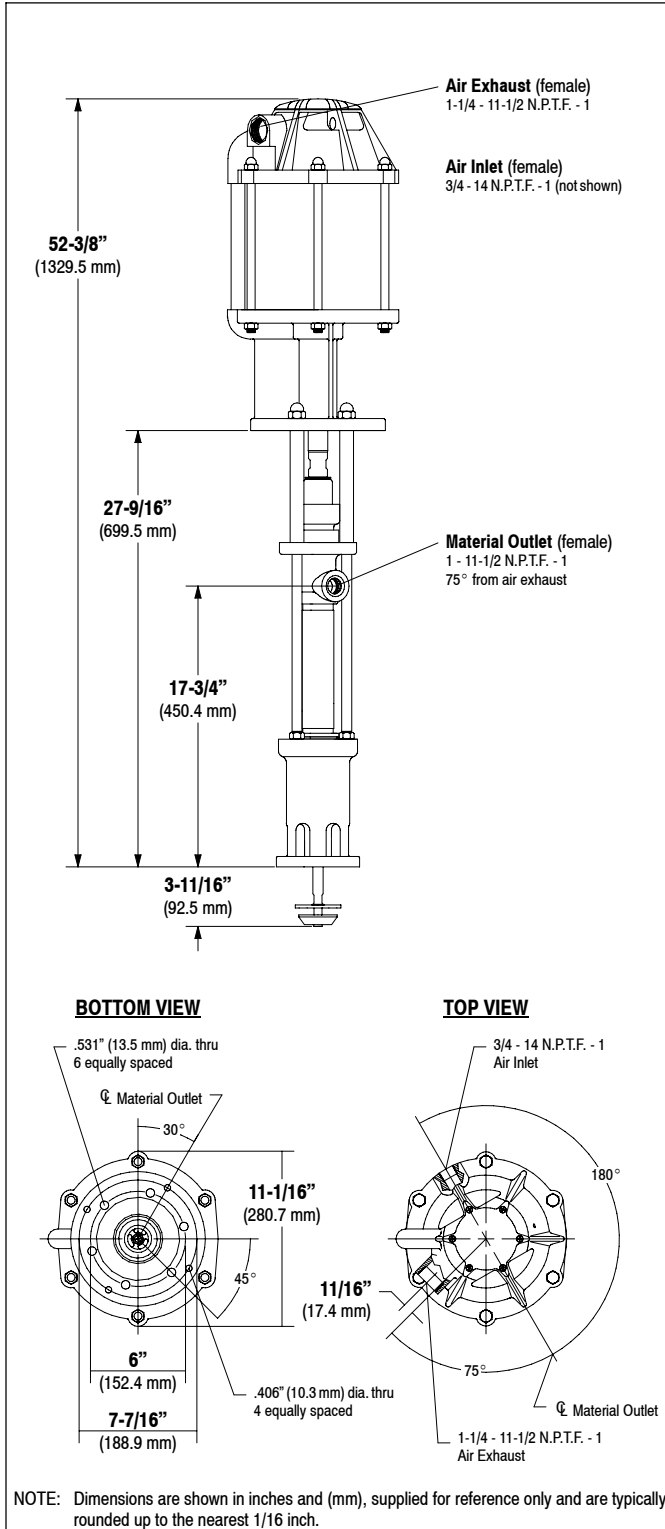
RATIO SERIES: **44:1**

FLUID P.S.I. RANGE: **1320 - 5964**

650891-XXD-C EXTRUSION PUMP

RELEASED: 9-25-01
REVISED: 5-26-10
(REV. 02) S-1022

DIMENSIONAL DATA



SPECIFICATIONS

CONSTRUCTION

Model Series (refer to option chart)	650891-XXD-C
Pump Type	Air Operated, Extrusion, Double Acting Pump
Ratio	44:1
Air Motor	66523-B
Motor Repair Kit	66614
Motor Diameter	8" (203.2 mm)
Stroke	6" (152.4 mm)
Air Inlet (female)	3/4 - 14 N.P.T.F. - 1
Air Exhaust (female)	1-1/4 - 11-1/2 N.P.T.F. - 1
Lower Pump End Series	66243-XXD-B
Lower Pump Repair Kit	637071-XXX-B
Packing Options:	

3 - Glass Filled PTFE
C - UHMW-PE
G - UHMW-PE / Leather staggered
P - UHMW-PE / Glass Filled PTFE staggered upper • UHMW-PE lower
R - Glass Filled PTFE / UHMW-PE staggered upper • Glass Filled PTFE lower

Material Outlet (female) 1 - 11-1/2 N.P.T.F. - 1

MATERIALS OF CONSTRUCTION

Outlet Body	Ductile Iron, Nickel plated
Cylinder	Carbon Steel, Nickel plated
Plunger	17-4 SS, Chrome plated
Upper Check	17-4 Stainless Steel
Upper Seat	440 Stainless Steel
Lower Check	440 Stainless Steel
Lower Seat	440 Stainless Steel
Inlet Body	Ductile Iron, Nickel plated
Weight	89 lbs (40.4 kgs)

PERFORMANCE

Air Inlet Pressure Range	30 - 120 p.s.i. (2.1 - 8.3 bar)
Fluid Pressure Range	1320 - 5964 p.s.i. (91.0 - 411.3 bar)
Maximum Rec'd Cycles / Minute	70
Displacement In³ Per Cycle	12.5
Volume / Cycle	6.9 oz. (204.8 ml)
Cycles Per Gallon	18.5
Flow @ 70 Cycles / Minute	3.8 g.p.m. (14.3 l.p.m.)
Noise Level @ 60 p.s.i. - 40 c.p.m.	89.8 db(A)①

① Tested with 92460 Muffler installed. The pump sound pressure level has been updated to an Equivalent Continuous Sound Level (L_{Aeq}) to meet the intent of ANSI S1.13-1971, CAGI-PNEUROP S5.1 using four microphone locations.

ACCESSORIES:

- 65138 Floor Mount
- 67187-1 Mounting Post
- 92460 Silencer

PERFORMANCE CURVES

