

SALES & ENGINEERING DATA

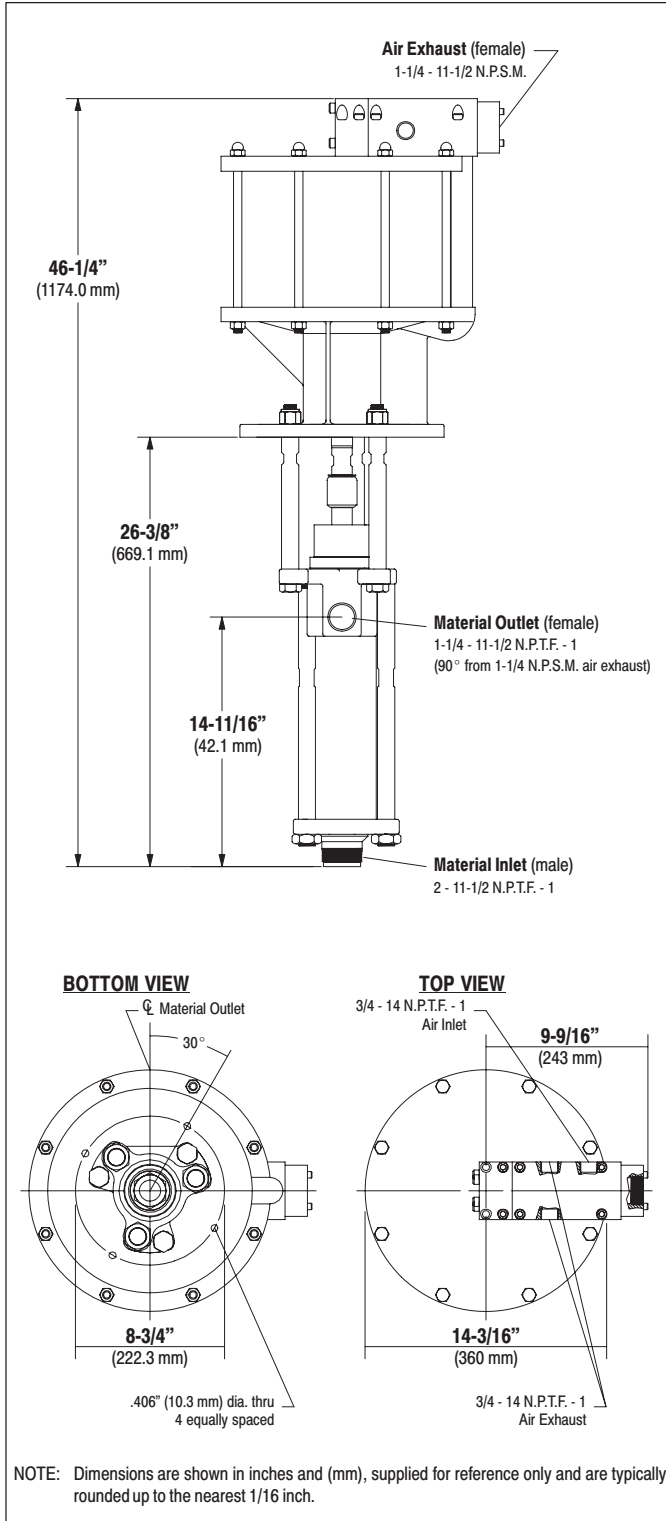
RATIO SERIES: **23:1**

FLUID P.S.I. RANGE: **0 - 2070**

650967-XXD-B TWO-BALL PUMP

RELEASED: 9-19-01
REVISED: 5-26-10
(REV. C) S-1027

DIMENSIONAL DATA



SPECIFICATIONS

CONSTRUCTION

Model Series (refer to option chart)	650967-XXD-B
Pump Type	Air Operated, Two-Ball, Double Acting Pump
Ratio	23:1
Air Motor	66506-B
Motor Repair Kit	637112
Motor Diameter	12" (304.8 mm)
Stroke	6" (152.4 mm)
Air Inlet (female)	3/4 - 14 N.P.T.F. - 1
Air Exhaust (female)	1-1/4 - 11-1/2 N.P.S.M.
Lower Pump End Series	66941-XXD
Lower Pump Repair Kit	637211-X63
Packing Options:	

- C - UHMW-PE
- K - Carbon-Graphite filled PTFE
- L - Mineral filled PTFE
- P - UHMW-PE / PTFE staggered upper • UHMW-PE lower
- R - PTFE / UHMW-PE staggered upper • Mineral filled PTFE lower

Material Inlet (male)	2 - 11-1/2 N.P.T.F. - 1
Material Outlet (female)	1-1/4 - 11-1/2 N.P.T.F. - 1

MATERIALS OF CONSTRUCTION

Outlet Body	CF-8M Stainless Steel (316)
Cylinder	15-5 Stainless Steel, Chrome plated
Plunger	15-5 Stainless Steel, Chrome plated
Upper Ball	440 Stainless Steel
Upper Seat	650967-X6D-B ... 440 Stainless Steel
	650967-XDD-B ... Tungsten Carbide
Lower Ball	440 Stainless Steel
Lower Seat	650967-X6D-B ... 440 Stainless Steel
	650967-XDD-B ... Tungsten Carbide
Inlet Body	CF-8M Stainless Steel (316)
Weight	140 lbs (63.5 kg)

PERFORMANCE

Air Inlet Pressure Range	30 - 90 p.s.i. (2.1 - 6.2 bar)
Fluid Pressure Range	690 - 2070 p.s.i. (47.6 - 142.8 bar)
Maximum Rec'd Cycles / Minute	70
Displacement In³ Per Cycle	59.8
Volume / Cycle	33.1 oz. (979.6 ml)
Cycles Per Gallon	3.9
Flow @ 70 Cycles / Minute	18.1 g.p.m. (68.6 l.p.m.)
Noise Level @ 60 p.s.i. - 40 c.p.m.	89.8 db(A)①

① Tested with 66718 Muffler installed. The pump sound pressure level has been updated to an Equivalent Continuous Sound Level (L_{Aeq}) to meet the intent of ANSI S1.13-1971, CAGI-PNEUROP S5.1 using four microphone locations.

ACCESSORIES:

- 65139 Floor Mount
- 66542 Wall Mount Bracket
- 66718 Silencer

PERFORMANCE CURVES

