

SALES & ENGINEERING DATA

RATIO SERIES: **43.6:1**

FLUID P.S.I. RANGE: **0 - 6549**

6712X-P4X

CHOP CHECK PUMP

RELEASED: 12-4-98
 REVISED: 9-22-11
 (REV. 05) S-1246

DIMENSIONAL DATA

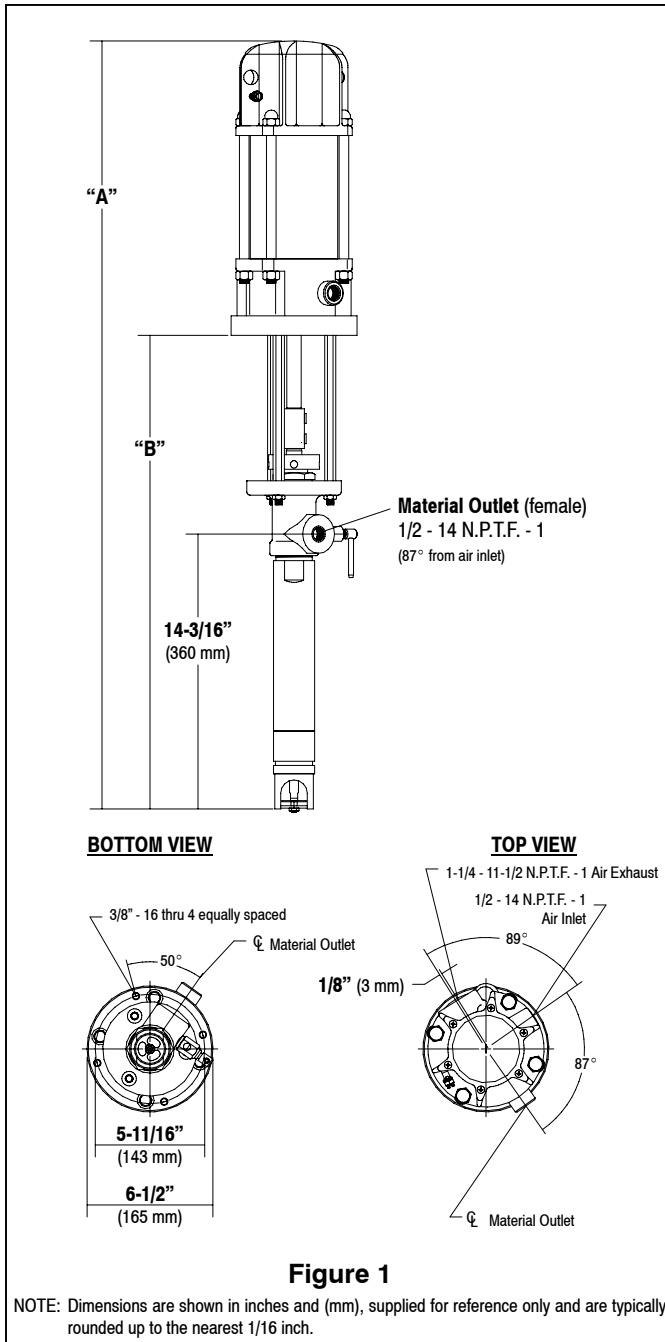


Figure 1

MODEL	"A" (mm)	"B" (mm)
67120-P4X	39-5/8" (1006.6)	24-7/16" (620.8)
67121-P4X	39-5/8" (1006.6)	24-7/16" (620.8)
67124-P4X	48-17/32" (1232.7)	33-11/32" (846.9)
67125-P4X	48-17/32" (1232.7)	33-11/32" (846.9)

SPECIFICATIONS

Model Series	6712X-P4X
Pump Type	Air Operated, Chop Check Pump
Ratio	43.6:1
Air Motor	65440
Air Motor Repair Kit	61268
Air Motor Diameter	4-1/4" (107.9 mm)
Stroke	4" (101.6 mm)
Air Inlet (female)	1/2 - 14 N.P.T.F. - 1
Lower Pump End Series	
67120-P43	67100-P43
67120-P48	67100-P48
67121-P43	67101-P43
67121-P48	67101-P48
67124-P43	67100-P43
67124-P48	67100-P48
67125-P43	67101-P43
67125-P48	67101-P48
Lower Pump Repair Kit	63729X-P4X
Material Outlet (female)	1/2 - 14 N.P.T.F. - 1

MATERIALS OF CONSTRUCTION

Outlet Body	
67120-P4X and 67124-P4X	Ductile Iron
67121-P4X and 67125-P4X	316 Stainless Steel
Cylinder	
67120-P4X and 67124-P4X	Carbon Steel
67121-P4X and 67125-P4X	15-5 Stainless Steel
Plunger	17-4 Stainless Steel
Upper Packing	UHMW-PE / Glass Filled PTFE staggered
Middle Packing	UHMW-PE
Lower Packing	Glass Filled PTFE
Inlet Body	
67120-P4X and 67124-P4X	Carbon Steel
67121-P4X and 67125-P4X	316 Stainless Steel

PERFORMANCE

Air Inlet Pressure Range	0 - 150 p.s.i. (0 - 10.3 bar)
Fluid Pressure Range	0 - 6549 p.s.i. (0 - 451.7 bar)
Maximum Rec'd Cycles / Minute	60
Displacement In ³ Per Cycle	2.85
Volume / Cycle	1.6 oz. (46.7 ml)
Cycles Per Gallon	81
Flow @ 60 Cycles / Minute	0.74 g.p.m. (2.8 l.p.m.)
Noise Level @ 60 p.s.i. - 40 c.p.m. ^②	80.0 db(A) ^①

① Tested with 91790 silencer installed.

② The pump sound pressure level has been updated to an Equivalent Continuous Sound Level (L_{Aeq}) to meet the intent of ANSI S1. 13-1971, CAGI-PNEUROPS S5.1 using four microphone locations.

ACCESSORIES:

66101 Wall Mount Bracket
 91790 Silencer

INGERSOLL RAND COMPANY LTD

209 NORTH MAIN STREET - BRYAN, OHIO 43506

① (800) 495-0276 • FAX(800) 892-6276

www.ingersollrandproducts.com

© 2011

CCN 15230212

ARO

IR Ingersoll Rand
 Industrial Technologies

PERFORMANCE CURVES

