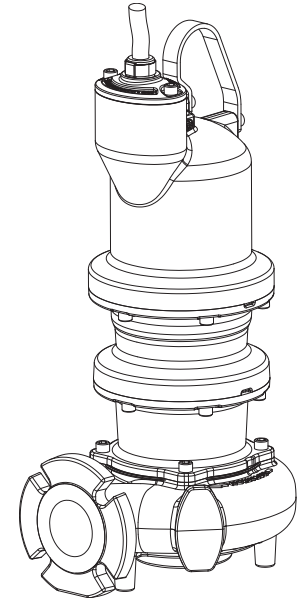


### Solids Handling Submersible Pumps

## Specifications:

<b>DISCHARGE</b> .....	3", 125 lb. Horizontal Flange Slotted to accommodate 80mm ISO Flanges
<b>LIQUID TEMPERATURE</b> .....	104°F (40°C) Continuous
<b>VOLUTE</b> .....	Cast Iron ASTM A-48, Class 30
<b>WEAR RING</b> .....	C954 Lead-Free Bronze
<b>MOTOR HOUSING</b> .....	Cast Iron ASTM A-48, Class 30
<b>SEAL PLATE</b> .....	Cast Iron ASTM A-48, Class 30
<b>IMPELLER:</b>	
<i>Design</i> .....	Enclosed Monovane, With Pump Out Vaness on Back Side. Dynamically Balanced ISO G6.3
<i>Material</i> .....	Ductile Iron ASTM A-536, 65-45-12
<b>SHAFT</b>	416 Stainless Steel
<b>"O" RINGS</b> .....	Buna-N
<b>HARDWARE</b> .....	300 Series Stainless Steel
<b>LIFTING BAIL</b> .....	300 Series Stainless Steel
<b>PAINT</b> .....	Epoxy Dupont Corlar® Amine Epoxy, Two Coats
<b>SEAL:</b>	
<i>Design</i> .....	Tandem Mechanical, Oil Filled Reservoir.
<i>Material: Inboard</i> .....	Rotating Faces - Carbon Stationary Faces - Ceramic
<i>Material: Outboard</i> .....	Rotating Faces - Silicon Carbide Stationary Faces - Silicon Carbide Elastomer - Buna-N
Hardware -	300 Series Stainless
<b>CORD ENTRY</b> .....	Custom Molded, Quick Connected for Sealing and Strain Relief
<b>POWER CORD</b> .....	CSA Certified Submersible Power Cable 2000V - Ordered Separately
<b>SPEED</b> .....	1750 RPM (Nominal)
<b>UPPER BEARING:</b>	
<i>Design</i> .....	Single Row, Ball, Oil Lubricated
<i>Load</i> .....	Radial
<b>LOWER BEARING:</b>	
<i>Design</i> .....	Double Row, Ball, Oil Lubricated
<i>Load</i> .....	Radial & Thrust
<b>MOTOR:</b>	
<i>Design</i> .....	NEMA B - Three Phase Torque Curve NEMA L - Single Phase Torque Curve Oil-Filled, Squirrel Cage Induction, Inverter Duty rated per NEMA MG1
<i>Insulation</i> .....	Class H Varnish & Magnet Wire
<b>SINGLE PHASE</b> .....	Dual voltage 208-230V 2 thru 5HP, Requires Overload Protection to be Included in control panel.
<b>THREE PHASE</b> .....	Tri-voltage 208-230/460V 2 thru 5HP, & 575V, 2 thru 5HP. Requires Overload Protection to be Included in control panel.
<b>MOISTURE SENSOR</b> .....	Normally Open (N/O), Requires Relay in Control Panel
<b>TEMPERATURE SENSOR</b> ....	Three Normally Closed (N/C). To be wired in series with connector control circuit
<b>OPTIONAL EQUIPMENT</b> .....	Seal Material, Impeller Trims, Cord Length, Leg Kit (p/n 125506)
<b>MARKINGS</b> .....	CSA, CE
<b>WEIGHT</b> .....	209 lbs (95 Kg)
<b>NOISE EMISSION MAX</b> .....	In-Air 65 dB-A
<b>SUBMERGENCE</b> .....	Max Depth 66ft (20m)
<b>RECOMMENDED:</b>	
<i>Accessories</i> .....	Break Away Fitting (BAF) Check Valve Control Panel
<i>Seal &amp; Gasket Kit PN</i> .....	133040
<i>Bearing Kit PN</i> .....	133046
<i>Overhaul Kit PN</i> .....	133054



## Series: 3SHM 2 - 5HP, 1750RPM, 60Hz



Canadian Standards Association  
File No. LR16567-25



This product may be covered by one or more of the following patents and other patent(s) pending:  
US Patent 7,931,473

Sample Specifications: Section 0.1A Page G.

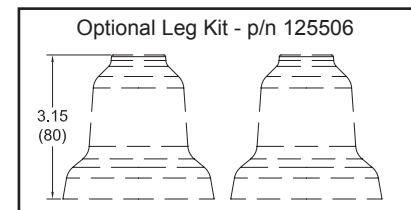
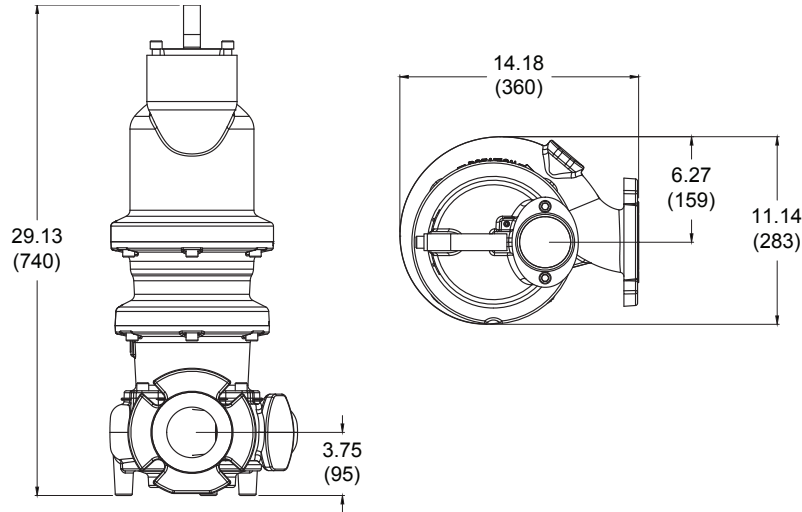
### DESCRIPTION:

SUBMERSIBLE NON-CLOG SEWAGE PUMP DESIGNED FOR RAW SEWAGE APPLICATIONS.

### Solids Handling Submersible Pumps

#### 18 Frame Driver

inches  
(mm)



#### IMPORTANT !

- 1.) MOISTURE AND TEMPERATURE SENSORS MUST BE CONNECTED TO VALIDATE THE CSA LISTING.
- 2.) A SPECIAL MOISTURE SENSOR RELAY IS REQUIRED IN THE CONTROL PANEL FOR PROPER OPERATION OF THE MOISTURE SENSORS. CONTACT BARNES PUMPS FOR INFORMATION CONCERNING MOISTURE SENSING RELAYS FOR CUSTOMER SUPPLIED CONTROL PANELS.
- 3.) THESE PUMPS ARE CSA LISTED FOR PUMPING WATER AND WASTEWATER. **DO NOT USE TO PUMP FLAMMABLE LIQUIDS.**
- 4.) INSTALLATIONS SUCH AS DECORATIVE FOUNTAINS OR WATER FEATURES PROVIDED FOR VISUAL ENJOYMENT MUST BE INSTALLED IN ACCORDANCE WITH THE NATIONAL ELECTRIC CODE ANSI/NFPA 70 AND/OR THE AUTHORITY HAVING JURISDICTION. THIS PUMP IS NOT INTENDED FOR USE IN SWIMMING POOLS, RECREATIONAL WATER PARKS, OR INSTALLATIONS IN WHICH HUMAN CONTACT WITH PUMPED MEDIA IS A COMMON OCCURRENCE.
- 5.) THIS PUMP IS NOT APPROPRIATE FOR THOSE APPLICATIONS SPECIFIED AS CLASS 1 DIVISION 1 HAZARDOUS LOCATIONS.

### Solids Handling Submersible Pumps

MODEL NO	PART NO	HP	VOLT	PH	Hz	RPM (Nom)	NEMA START CODE	FULL LOAD AMPS	1.2 SERVICE FACTOR AMPS	LOCKED ROTOR AMPS	DRIVER FRAME	CORD P/N *	CORD SIZE	CORD NOTES
3SHMP2074	133681	2.0	208	1	60	1750	G	10.4	12.1	59.1	18	125496	12/4 - 18/4	SOLD SEPARATELY
			230				11.9	66.3						
3SHMP20N4	133682	2.0	208	3	60	1750	P	7.4	8.3	58.2 /	18	125496	12/4 - 18/4	SOLD SEPARATELY
			230					8.0	65.8					
			460					4.0	32.9					
3SHMP2054	133683	2.0	575	3	60	1750	T	3.9	4.2	37.0	18	125497	12/4 - 18/4	SOLD SEPARATELY
3SHMP3074	133684	3.0	208	1	60	1750	D	14.9	18.5	59.1	18	125496	12/4 - 18/4	SOLD SEPARATELY
			230				14.1	66.3						
3SHMP30N4	133685	3.0	208	3	60	1750	K	9.7	11.4	58.2 /	18	125496	12/4 - 18/4	SOLD SEPARATELY
			230					10.6	65.8					
			460					5.3	32.9					
3SHMP3054	133686	3.0	575	3	60	1750	N	4.5	4.9	37.0	18	125497	12/4 - 18/4	SOLD SEPARATELY
3SHMP5074	133687	5.0	208	1	60	1750	D	27.2	35.6	99.9	18	125498	8/4 - 18/4	SOLD SEPARATELY
			230				30.2	112.4						
3SHMP50N4	133688	5.0	208	3	60	1750	J	15.8	18.7	82.4 /	18	125496	12/4 - 18/4	SOLD SEPARATELY
			230					17.2	92.4					
			460					8.6	46.2					
3SHMP5054	133689	5.0	575	3	60	1750	J	6.0	6.9	37.0	18	125497	12/4 - 18/4	SOLD SEPARATELY

SHMP Pump

**IMPORTANT !**

Moisture and Temperature sensor leads are integral to power cord.

Pump rated for operation at ± 10% voltage at motor.

\* Cord Suffix: XC - 30 Feet, XF - 50 Feet, XJ - 75 Feet, or XL - 100 Feet.

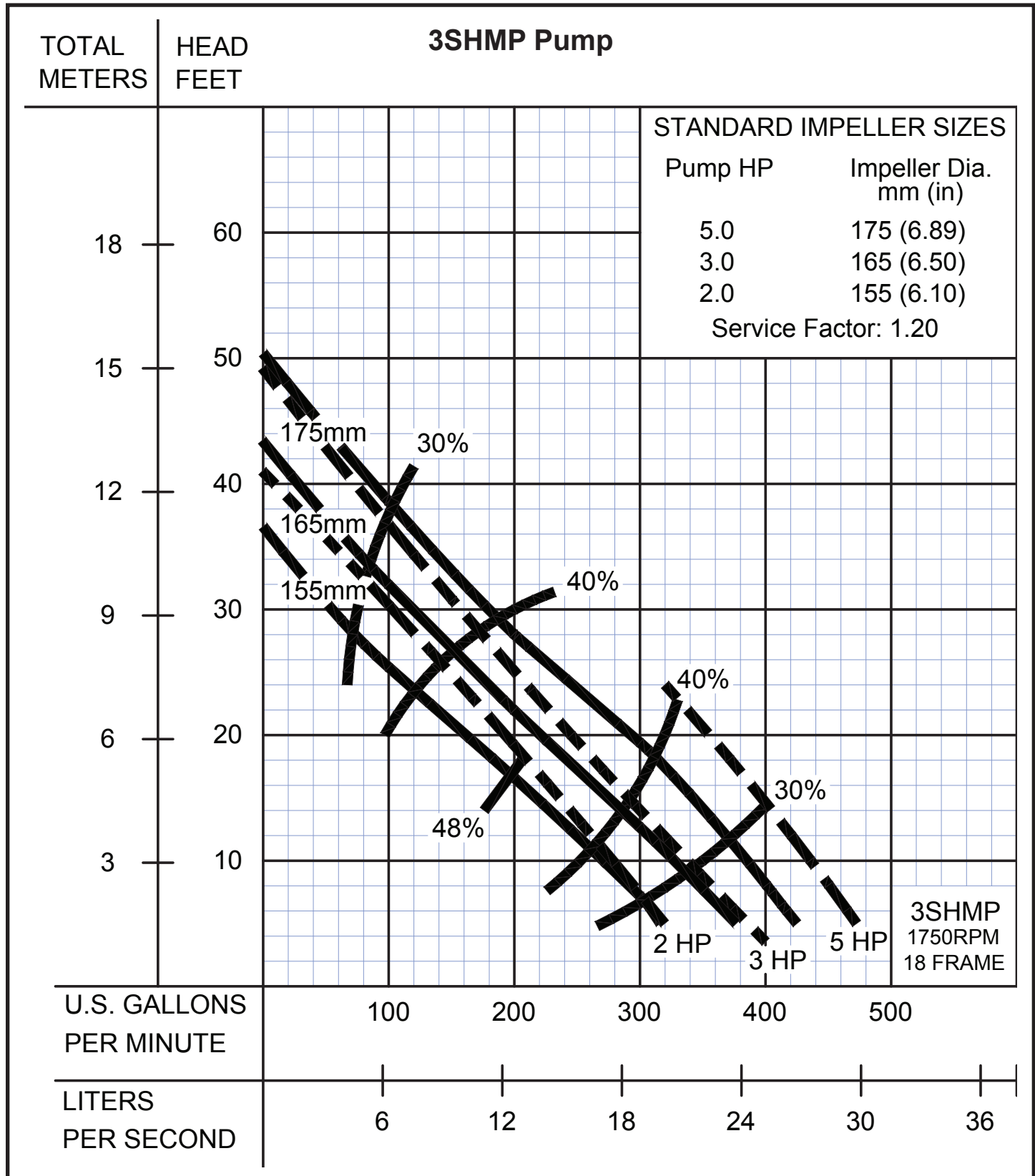
# Series 3SHM

Performance Curve  
2 - 5HP, 1750RPM, 60Hz, 18 Frame

# BARNES®

www.cranepumps.com

## Solids Handling Submersible Pumps



SECTION 0.1A  
PAGE 10  
DATE 2/12

**CRANE**  
A Crane Co. Company

**PUMPS & SYSTEMS**

USA: (937) 778-8947 • Canada: (905) 457-6223 • International: (937) 615-3598