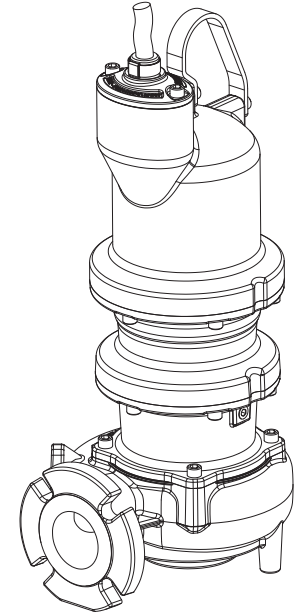


### Solids Handling Submersible Pumps

## Specifications:

<b>DISCHARGE</b> .....	3", 125 lb. Horizontal Flange Slotted to accommodate 80mm ISO Flanges
<b>LIQUID TEMPERATURE</b> .....	104°F (40°C) Continuous
<b>VOLUTE</b> .....	Cast Iron ASTM A-48, Class 30
<b>WEAR RING</b> .....	C954 Lead-Free Bronze
<b>MOTOR HOUSING</b> .....	Cast Iron ASTM A-48, Class 30
<b>SEAL PLATE</b> .....	Cast Iron ASTM A-48, Class 30
<b>IMPELLER:</b>	
<i>Design</i> .....	Vortex, With Pump Out Vaness on Back Side. Dynamically Balanced ISO G6.3
<i>Material</i> .....	Ductile Iron ASTM A-536, 65-45-12
<b>SHAFT</b> .....	416 Stainless Steel
<b>"O" RINGS</b> .....	Buna-N
<b>HARDWARE</b> .....	300 Series Stainless Steel
<b>LIFTING BAIL</b> .....	300 Series Stainless Steel
<b>PAINT</b> .....	Epoxy Dupont Corlar® Amine Epoxy, Two Coats
<b>SEAL:</b> <i>Design</i> .....	Tandem Mechanical, Oil Filled Reservoir.
<i>Material: Inboard</i> .....	Rotating Faces - Carbon Stationary Faces - Ceramic
<i>Material: Outboard</i> .....	Rotating Faces - Silicon Carbide Stationary Faces - Silicon Carbide Elastomer - Buna-N Hardware - 300 Series Stainless
<b>CORD ENTRY</b> .....	Custom Molded, Quick Connected for Sealing and Strain Relief
<b>POWER CORD</b> .....	CSA Certified Submersible Power Cable 2000V - Ordered Separately
<b>SPEED</b> .....	3450 RPM (Nominal)
<b>UPPER BEARING:</b>	
<i>Design</i> .....	Single Row, Ball, Oil Lubricated
<i>Load</i> .....	Radial
<b>LOWER BEARING:</b>	
<i>Design</i> .....	Double Row, Ball, Oil Lubricated
<i>Load</i> .....	Radial & Thrust
<b>MOTOR:</b> <i>Design</i> .....	NEMA B Three Phase Torque Curve. Oil-Filled, Squirrel Cage Induction, Inverter Duty rated per NEMA MG1
<i>Insulation</i> .....	Class H Varnish & Magnet Wire
<b>SINGLE PHASE</b> .....	Dual Voltage 208-230V, 5HP.
<b>THREE PHASE</b> .....	Tri-voltage 208-230/460V, 5 thru 10HP & 575V, 5 thru 10HP. Requires Overload Protection to be Included in control panel.
<b>MOISTURE SENSOR</b> .....	Normally Open (N/O), Requires Relay in Control Panel
<b>TEMPERATURE SENSOR</b> .....	Normally Closed (N/C). To be wired in series with connector control circuit
<b>OPTIONAL EQUIPMENT</b> .....	Seal Material, Impeller Trims, Cord Length, Leg Kit (p/n 125506)
<b>MARKINGS</b> .....	CSA, CE
<b>WEIGHT</b> .....	199 lbs (90 Kg)
<b>NOISE EMISSION MAX</b> .....	In-Air 65 dB-A
<b>SUBMERGENCE</b> .....	Max Depth 66ft (20m)
<b>RECOMMENDED:</b>	
<i>Accessories</i> .....	Break Away Fitting (BAF) Check Valve Control Panel
<i>Seal &amp; Gasket Kit PN</i> .....	133040
<i>Bearing Kit PN</i> .....	133046
<i>Overhaul Kit PN</i> .....	133054



**Series: 3SHV**  
**5 - 10HP, 3450RPM, 60Hz**  
**2 - 5HP, 1750RPM, 60Hz**



Canadian Standards Association  
File No. LR16567-25



This product may be covered by one or more of the following patents and other patent(s) pending:  
US Patent 7,931,473

Sample Specifications: Section 0.1A Page F.

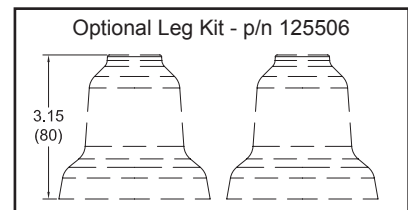
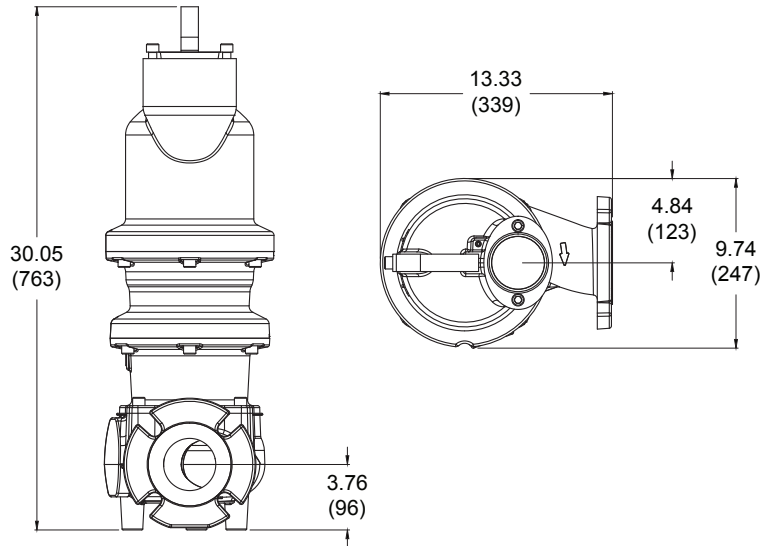
### DESCRIPTION:

SUBMERSIBLE NON-CLOG SEWAGE PUMP DESIGNED FOR RAW SEWAGE APPLICATIONS.

### Solids Handling Submersible Pumps

#### 18 Frame Driver

inches  
(mm)



#### IMPORTANT !

- 1.) MOISTURE AND TEMPERATURE SENSORS MUST BE CONNECTED TO VALIDATE THE CSA LISTING.
- 2.) A SPECIAL MOISTURE SENSOR RELAY IS REQUIRED IN THE CONTROL PANEL FOR PROPER OPERATION OF THE MOISTURE SENSORS. CONTACT BARNES PUMPS FOR INFORMATION CONCERNING MOISTURE SENSING RELAYS FOR CUSTOMER SUPPLIED CONTROL PANELS.
- 3.) THESE PUMPS ARE CSA LISTED FOR PUMPING WATER AND WASTEWATER. **DO NOT USE TO PUMP FLAMMABLE LIQUIDS.**
- 4.) INSTALLATIONS SUCH AS DECORATIVE FOUNTAINS OR WATER FEATURES PROVIDED FOR VISUAL ENJOYMENT MUST BE INSTALLED IN ACCORDANCE WITH THE NATIONAL ELECTRIC CODE ANSI/NFPA 70 AND/OR THE AUTHORITY HAVING JURISDICTION. THIS PUMP IS NOT INTENDED FOR USE IN SWIMMING POOLS, RECREATIONAL WATER PARKS, OR INSTALLATIONS IN WHICH HUMAN CONTACT WITH PUMPED MEDIA IS A COMMON OCCURRENCE.
- 5.) THIS PUMP IS NOT APPROPRIATE FOR THOSE APPLICATIONS SPECIFIED AS CLASS 1 DIVISION 1 HAZARDOUS LOCATIONS.

### Solids Handling Submersible Pumps

MODEL NO	PART NO	HP	VOLT	PH	Hz	RPM (Nom)	NEMA START CODE	FULL LOAD AMPS	1.2 SERVICE FACTOR AMPS	LOCKED ROTOR AMPS	DRIVER FRAME	CORD P/N *	CORD SIZE	CORD NOTES	
3SHVR5072	133701	5.0	208	1	60	3450	E	27.8	34.1	113.2	18	125498	8/4 - 18/4	SOLD SEPARATELY	
			230					29.9	131.2						
3SHVR50N2	133702	5.0	208	3	60	3450	J	14.9	17.8	85.4	18	125496	12/4 - 18/4	SOLD SEPARATELY	
			230					16.0	95.2						
			460					8.0	47.6						
3SHVR5052	133703	5.0	575	3	60	3450	J	5.5	6.4	38.1	18	125497	12/4 - 18/4	SOLD SEPARATELY	
			208					28.0	173.9						
3SHVR75N2	133705	7.5	230	3	60	3450	M	25.4	28.2	201.0	18	125496	12/4 - 18/4	SOLD SEPARATELY	
			460					14.1	100.5						
			575					11.3	80.4						
3SHVR7552	133706	7.5	208	3	60	3450	M	30.8	37.0	173.9	18	125498	8/4 - 18/4	SOLD SEPARATELY	
			230					34.8	201.0						
3SHVR100N2	133707	10.0	230	3	60	3450	K	30.1	34.8	201.0	18	125498	8/4 - 18/4	SOLD SEPARATELY	
			460					17.4	100.5						
3SHVR10052	133708	10.0	575	3	60	3450	K	12.1	13.9	80.4	18	125497	12/4 - 18/4	SOLD SEPARATELY	
<b>SHVR Pump</b>															
3SHVR2074	134236	2.0	208	1	60	1750	G	10.4	12.1	59.1	18	125496	12/4 - 18/4	SOLD SEPARATELY	
			230					11.9	66.3						
3SHVR20N4	134237	2.0	208	3	60	1750	P	7.4	8.3	58.2	18	125496	12/4 - 18/4	SOLD SEPARATELY	
			230					8.0	65.8						
			460					4.0	32.9						
3SHVR2054	134238	2.0	575	3	60	1750	T	3.9	4.2	37.0	18	125497	12/4 - 18/4	SOLD SEPARATELY	
			208					18.5	59.1						
3SHVR3074	134239	3.0	208	1	60	1750	D	14.9	16.5	66.3	18	125496	12/4 - 18/4	SOLD SEPARATELY	
			230					11.4	58.2						
3SHVR30N4	134240	3.0	208	3	60	1750	K	9.7	10.6	65.8	18	125496	12/4 - 18/4	SOLD SEPARATELY	
			230					5.3	32.9						
			460					4.9	37.0						
3SHVR3054	134241	3.0	575	3	60	1750	N	4.5	4.9	37.0	18	125497	12/4 - 18/4	SOLD SEPARATELY	
			208					35.6	99.9						
3SHVR5074	134242	5.0	208	1	60	1750	D	27.2	30.2	112.4	18	125498	8/4 - 18/4	SOLD SEPARATELY	
			230					18.7	82.4						
3SHVR50N4	134243	5.0	208	3	60	1750	J	15.8	17.2	92.4	18	125496	12/4 - 18/4	SOLD SEPARATELY	
			230					8.6	46.2						
			460					6.9	37.0						
3SHVR5054	134244	5.0	575	3	60	1750	J	6.0	6.9	37.0	18	125497	12/4 - 18/4	SOLD SEPARATELY	

**IMPORTANT !**

Moisture and Temperature sensor leads are integral to power cord.  
 Pump rated for operation at ± 10% voltage at motor.  
 \* Cord Suffix: XC - 30 Feet, XF - 50 Feet, XJ - 75 Feet, XK - 100 Feet, or XL - 100 Feet.

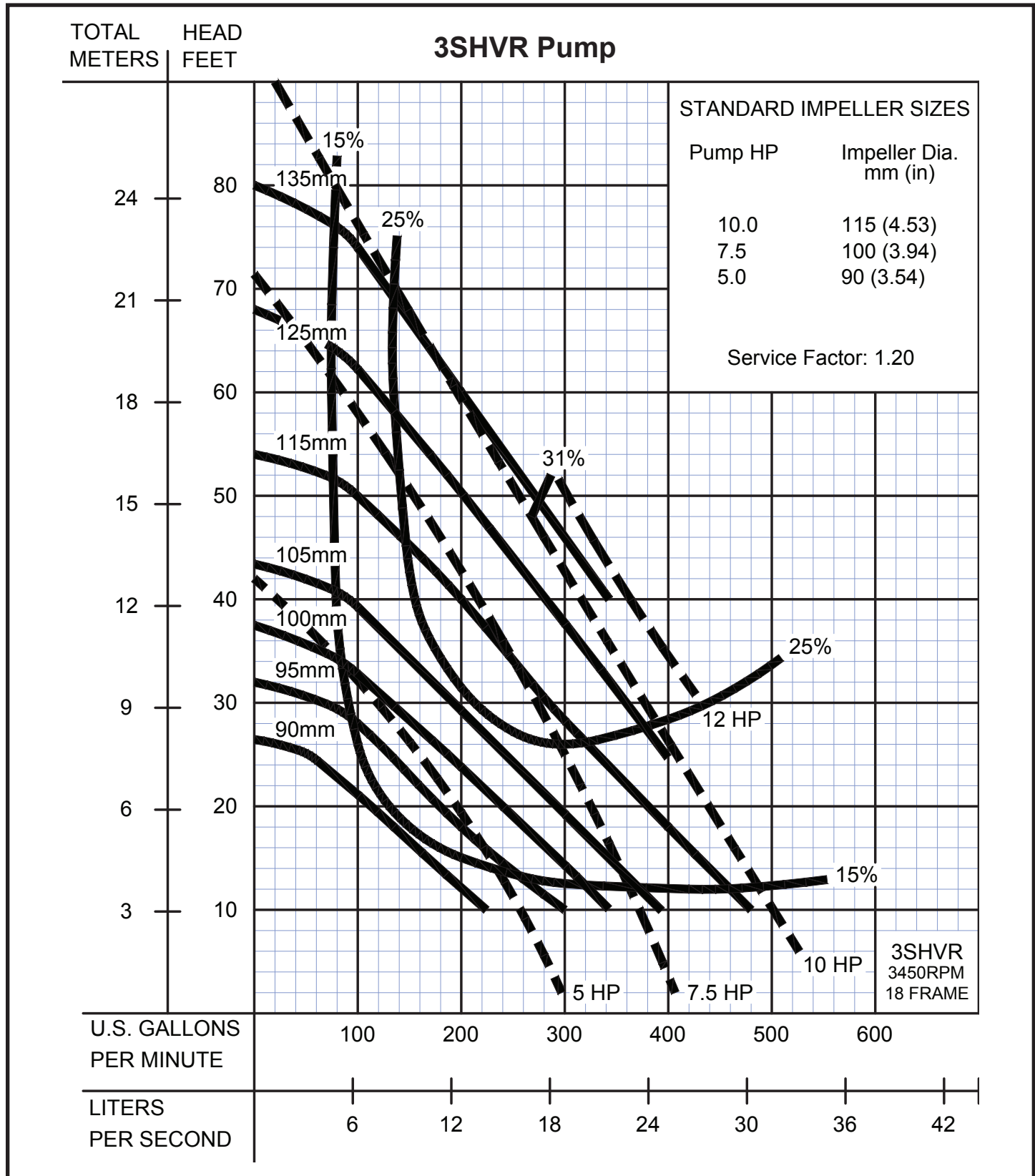
# Series 3SHV

Performance Curve  
5 - 10HP, 3450RPM, 60Hz, 18 Frame



www.cranepumps.com

## Solids Handling Submersible Pumps



SECTION 0.1A  
PAGE 4  
DATE 6/12



PUMPS & SYSTEMS

A Crane Co. Company

USA: (937) 778-8947 • Canada: (905) 457-6223 • International: (937) 615-3598

### Solids Handling Submersible Pumps

