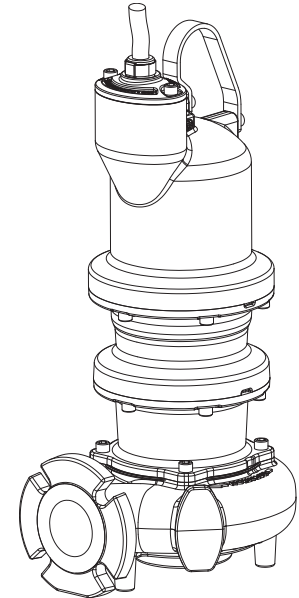


Solids Handling Submersible Pumps

Specifications:

DISCHARGE	3", 125 lb. Horizontal Flange Slotted to accommodate 80mm ISO Flanges
LIQUID TEMPERATURE	104°F (40°C) Continuous
VOLUTE	Cast Iron ASTM A-48, Class 30
WEAR RING	C954 Lead-Free Bronze
MOTOR HOUSING	Cast Iron ASTM A-48, Class 30
SEAL PLATE	Cast Iron ASTM A-48, Class 30
IMPELLER:	
<i>Design</i>	Enclosed Monovane, With Pump Out Vaness on Back Side. Dynamically Balanced ISO G6.3
<i>Material</i>	Ductile Iron ASTM A-536, 65-45-12
SHAFT	416 Stainless Steel
"O" RINGS	Buna-N
HARDWARE	300 Series Stainless Steel
LIFTING BAIL	300 Series Stainless Steel
PAINT	Epoxy Dupont Corlar® Amine Epoxy, Two Coats
SEAL:	
<i>Design</i>	Tandem Mechanical, Oil Filled Reservoir.
<i>Material: Inboard</i>	Rotating Faces - Carbon Stationary Faces - Ceramic
<i>Material: Outboard</i>	Rotating Faces - Silicon Carbide Stationary Faces - Silicon Carbide Elastomer - Buna-N
Hardware	300 Series Stainless
CORD ENTRY	Custom Molded, Quick Connected for Sealing and Strain Relief
POWER CORD	CSA Certified Submersible Power Cable 2000V - Ordered Separately
SPEED	1750 RPM (Nominal)
UPPER BEARING:	
<i>Design</i>	Single Row, Ball, Oil Lubricated
<i>Load</i>	Radial
LOWER BEARING:	
<i>Design</i>	Double Row, Ball, Oil Lubricated
<i>Load</i>	Radial & Thrust
MOTOR:	
<i>Design</i>	NEMA B - Three Phase Torque Curve NEMA L - Single Phase Torque Curve Oil-Filled, Squirrel Cage Induction, Inverter Duty rated per NEMA MG1
<i>Insulation</i>	Class H Varnish & Magnet Wire
SINGLE PHASE	Dual voltage 208-230V 2 thru 5HP, Requires Overload Protection to be Included in control panel.
THREE PHASE	Tri-voltage 208-230/460V 2 thru 5HP, & 575V, 2 thru 5HP. Requires Overload Protection to be Included in control panel.
MOISTURE SENSOR	Normally Open (N/O), Requires Relay in Control Panel
TEMPERATURE SENSOR	Three Normally Closed (N/C). To be wired in series with connector control circuit
OPTIONAL EQUIPMENT	Seal Material, Impeller Trims, Cord Length, Leg Kit (p/n 125506)
MARKINGS	CSA, CE
WEIGHT	209 lbs (95 Kg)
NOISE EMISSION MAX	In-Air 65 dB-A
SUBMERGENCE	Max Depth 66ft (20m)
RECOMMENDED:	
<i>Accessories</i>	Break Away Fitting (BAF) Check Valve Control Panel
<i>Seal & Gasket Kit PN</i>	133040
<i>Bearing Kit PN</i>	133046
<i>Overhaul Kit PN</i>	133054



Series: 3XSHM 2 - 5HP, 1750RPM, 60Hz

Explosion Proof, Class 1, Division 1, Groups C & D, T4



Canadian Standards Association
File No. LR16567-25



This product may be covered by one
or more of the following patents and
other patent(s) pending:
US Patent 7,931,473

Sample Specifications: Section 0.1B Page G.

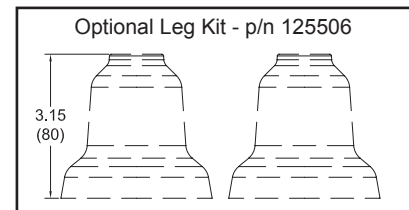
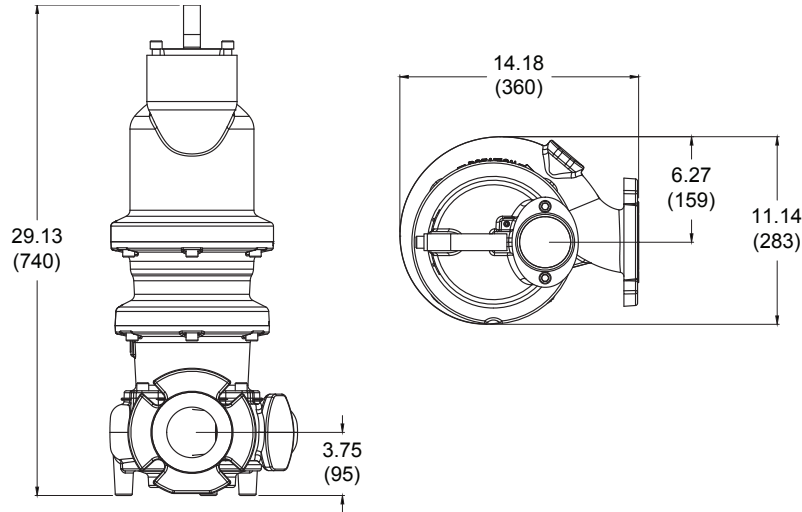
DESCRIPTION:

SUBMERSIBLE NON-CLOG SEWAGE
PUMP DESIGNED FOR RAW SEWAGE
APPLICATIONS.

Solids Handling Submersible Pumps

18 Frame Driver

inches
(mm)



IMPORTANT !

- 1.) MOISTURE AND TEMPERATURE SENSORS MUST BE CONNECTED TO VALIDATE THE CSA AND FM LISTING.
- 2.) A SPECIAL MOISTURE SENSOR RELAY IS REQUIRED IN THE CONTROL PANEL FOR PROPER OPERATION OF THE MOISTURE SENSORS. CONTACT BARNES PUMPS FOR INFORMATION CONCERNING MOISTURE SENSING RELAYS FOR CUSTOMER SUPPLIED CONTROL PANELS.
- 3.) THESE PUMPS ARE CSA AND FM LISTED FOR PUMPING WATER AND WASTEWATER. **DO NOT USE TO PUMP FLAMMABLE LIQUIDS.** NOT SUITABLE FOR ENVIRONMENTS CONTAINING GASOLINE OR HEXANE.
- 4.) INSTALLATIONS SUCH AS DECORATIVE FOUNTAINS OR WATER FEATURES PROVIDED FOR VISUAL ENJOYMENT MUST BE INSTALLED IN ACCORDANCE WITH THE NATIONAL ELECTRIC CODE ANSI/NFPA 70 AND/OR THE AUTHORITY HAVING JURISDICTION. THIS PUMP IS NOT INTENDED FOR USE IN SWIMMING POOLS, RECREATIONAL WATER PARKS, OR INSTALLATIONS IN WHICH HUMAN CONTACT WITH PUMPED MEDIA IS A COMMON OCCURRENCE.
- 5.) A **NON-SPARKING** BREAKAWAY FITTING MUST BE USED TO VALIDATE THE EXPLOSION PROOF LISTING.

Solids Handling Submersible Pumps

MODEL NO	PART NO	HP	VOLT	PH	Hz	RPM (Nom)	NEMA START CODE	FULL LOAD AMPS	1.2 SERVICE FACTOR AMPS	LOCKED ROTOR AMPS	DRIVER FRAME	CORD P/N *	CORD SIZE	CORD NOTES
3XSHMP2074	133819	2.0	208	1	60	1750	G	10.4	12.1	59.1	18	125496	12/4 - 18/4	SOLD SEPARATELY
			230					11.9	66.3					
3XSHMP20N4	133820	2.0	208	3	60	1750	P	7.4	8.3	58.2 /	18	125496	12/4 - 18/4	SOLD SEPARATELY
			230					8.0	65.8					
			460					4.0	32.9					
3XSHMP2054	133821	2.0	575	3	60	1750	T	3.9	4.2	37.0	18	125497	12/4 - 18/4	SOLD SEPARATELY
3XSHMP3074	133822	3.0	208	1	60	1750	D	14.9	18.5	59.1	18	125496	12/4 - 18/4	SOLD SEPARATELY
			230					16.5	66.3					
3XSHMP30N4	133823	3.0	208	3	60	1750	K	9.7	11.4	58.2 /	18	125496	12/4 - 18/4	SOLD SEPARATELY
			230					10.6	65.8					
			460					5.3	32.9					
3XSHMP3054	133824	3.0	575	3	60	1750	N	4.5	4.9	37.0	18	125497	12/4 - 18/4	SOLD SEPARATELY
3XSHMP5074	133825	5.0	208	1	60	1750	D	27.2	35.6	99.9	18	125498	8/4 - 18/4	SOLD SEPARATELY
			230					30.2	112.4					
3XSHMP50N4	133826	5.0	208	3	60	1750	J	15.8	18.7	82.4 /	18	125496	12/4 - 18/4	SOLD SEPARATELY
			230					17.2	92.4					
			460					8.6	46.2					
3XSHMP5054	133827	5.0	575	3	60	1750	J	6.0	6.9	37.0	18	125497	12/4 - 18/4	SOLD SEPARATELY

3XSHMP Pump

IMPORTANT !

Moisture and Temperature sensor leads are integral to power cord.
 Pump rated for operation at ± 10% voltage at motor.
 * Cord Suffix: XC - 30 Feet, XF - 50 Feet, XJ - 75 Feet, XK - 100 Feet.

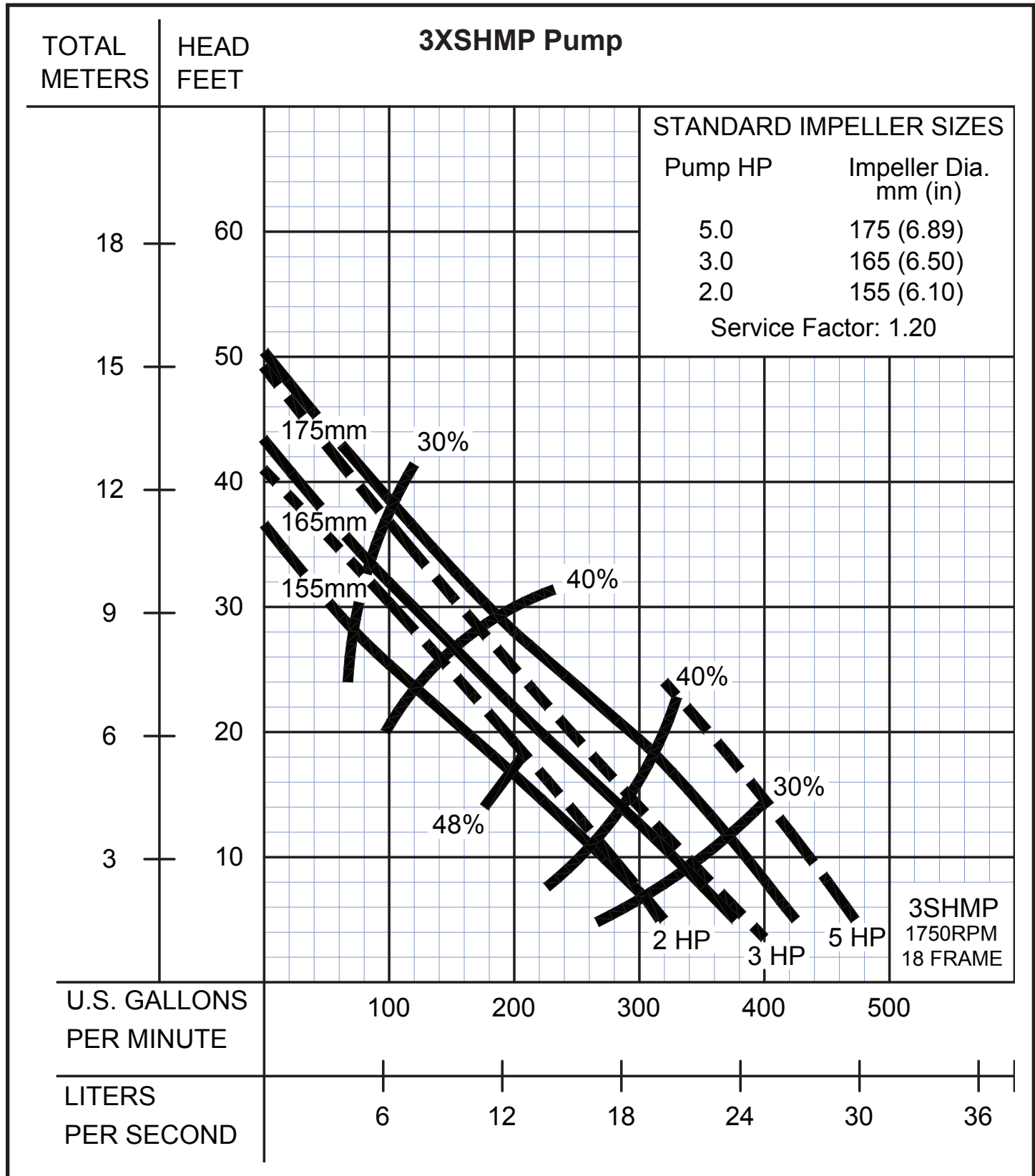
Series 3XSHM

Performance Curve
2 - 5HP, 1750RPM, 60Hz, 18 Frame

BARNES®

www.cranepumps.com

Solids Handling Submersible Pumps



SECTION 0.1B
PAGE 10
DATE 2/12

CRANE®

A Crane Co. Company

PUMPS & SYSTEMS

USA: (937) 778-8947 • Canada: (905) 457-6223 • International: (937) 615-3598