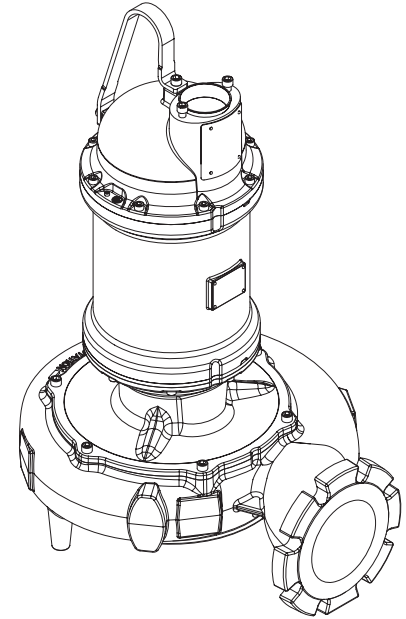


Solids Handling Submersible Pumps

Specifications:

DISCHARGE	6", 125 lb. Horizontal Flange Slotted to accommodate 150mm ISO Flanges
LIQUID TEMPERATURE	104°F (40°C) Continuous
VOLUTE	Cast Iron ASTM A-48, Class 30
WEAR RING	C954 Lead-Free Bronze
MOTOR HOUSING	Cast Iron ASTM A-48, Class 30
SEAL PLATE	Cast Iron ASTM A-48, Class 30
IMPELLER:	
<i>Design</i>	Enclosed Dual Vane, With Pump Out Vaness on Back Side. Dynamically Balanced ISO G6.3
<i>Material</i>	Ductile Iron ASTM A-536, 65-45-12
SHAFT	416 Stainless Steel
"O" RINGS	Buna-N
HARDWARE	300 Series Stainless Steel
LIFTING BAIL	300 Series Stainless Steel
PAINT	Epoxy Dupont Corlar® Amine Epoxy, Two Coats
SEAL:	
<i>Design</i>	Tandem Mechanical, Oil Filled Reservoir.
<i>Material: Inboard</i>	Rotating Faces - Carbon Stationary Faces - Ceramic
<i>Material: Outboard</i>	Rotating Faces - Silicon Carbide Stationary Faces - Silicon Carbide Elastomer - Buna-N
Hardware -	300 Series Stainless
CORD ENTRY	Custom Molded, Quick Connected for Sealing and Strain Relief
POWER CORD	CSA Certified Submersible Power Cable 2000V - Ordered Separately
SPEED	1750 & 1150RPM (Nominal)
UPPER BEARING:	
<i>Design</i>	Single Row, Ball, Oil Lubricated
<i>Load</i>	Radial
LOWER BEARING:	
<i>Design</i>	Double Row, Ball, Oil Lubricated
<i>Load</i>	Radial & Thrust
MOTOR:	
<i>Design</i>	NEMA B Three Phase Torque Curve. Oil-Filled, Squirrel Cage Induction, Inverter Duty rated per NEMA MG1
<i>Insulation</i>	Class H Varnish & Magnet Wire
THREE PHASE	Dual Voltage 230/460V 20HP, 460V 25 & 30HP, 575V 20, 25 & 30HP. Requires Overload Protection to be Included in control panel.
MOISTURE SENSOR	Normally Open (N/O), Requires Relay in Control Panel
TEMPERATURE SENSOR	Three Normally Closed (N/C). To be wired in series with connector control circuit
OPTIONAL EQUIPMENT	Seal Material, Impeller Trims, Cord Length, Leg Kit (p/n 125506)
MARKINGS	CSA, CE
WEIGHT	674 lbs (306 Kg)
NOISE EMISSION MAX	In-Air 64 dB-A
SUBMERGENCE	Max Depth 66ft (20m)
RECOMMENDED:	
<i>Accessories</i>	Break Away Fitting (BAF) Check Valve Control Panel
<i>Seal & Gasket Kit PN</i>	132120A
<i>Bearing Kit PN</i>	132118A
<i>Overhaul Kit PN</i>	132119



Series: 6SHD 7.5 - 30HP, 1750RPM, 1150RPM, 60Hz



Canadian Standards Association
File No. LR16567-25



This product may be covered by one
or more of the following patents and
other patent(s) pending:
US Patent 7,931,473

Sample Specifications: Section 0.1E Page H.

DESCRIPTION:

SUBMERSIBLE NON-CLOG SEWAGE
PUMP DESIGNED FOR RAW SEWAGE
APPLICATIONS.

Series 6SHD

28 Frame Driver
3" Spherical Solids Handling

BARNES®

www.cranepumps.com

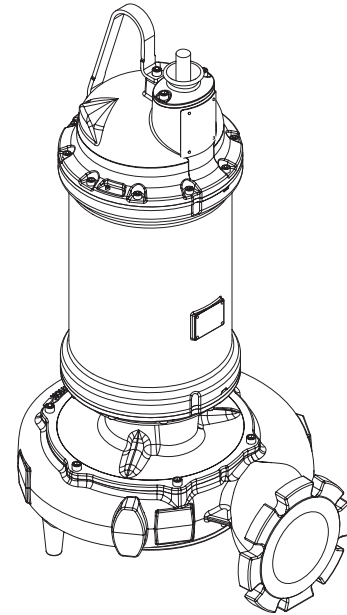
Solids Handling Submersible Pumps

Specifications:

DISCHARGE	6", 125 lb. Horizontal Flange Slotted to accommodate 150mm ISO Flanges
LIQUID TEMPERATURE	104°F (40°C) Continuous
VOLUTE	Cast Iron ASTM A-48, Class 30
WEAR RING	C954 Lead-Free Bronze
MOTOR HOUSING	Cast Iron ASTM A-48, Class 30
SEAL PLATE	Ductile Iron ASTM A-536, 65-45-12
IMPELLER:	
<i>Design</i>	Enclosed Dual Vane, With Pump Out Vaness on Back Side. Dynamically Balanced ISO G6.3
<i>Material</i>	Ductile Iron ASTM A-536, 65-45-12
SHAFT	416 Stainless Steel
"O" RINGS	Buna-N
HARDWARE	300 Series Stainless Steel
LIFTING BAIL	300 Series Stainless Steel
PAINT	Epoxy Dupont Corlar® Amine Epoxy, Two Coats
SEAL:	
<i>Design</i>	Tandem Mechanical, Oil Filled Reservoir.
<i>Material: Inboard</i>	Rotating Faces - Carbon Stationary Faces - Ceramic
<i>Material: Outboard</i>	Rotating Faces - Silicon Carbide Stationary Faces - Silicon Carbide Elastomer - Buna-N Hardware - 300 Series Stainless
CORD ENTRY	50 ft. (12.1m) Cord. Dual Pressure Grommet for Sealing & Stain Relief
POWER CORD	CSA Certified Submersible Power Cable 2000V
SPEED	1750 & 1150RPM (Nominal)
UPPER BEARING:	
<i>Design</i>	Single Row, Ball, Oil Lubricated
<i>Load</i>	Radial
LOWER BEARING:	
<i>Design</i>	Double Row, Ball, Oil Lubricated
<i>Load</i>	Radial & Thrust
MOTOR:	
<i>Design</i>	NEMA B Three Phase Torque Curve. Oil-Filled, Squirrel Cage Induction, Inverter Duty rated per NEMA MG1
<i>Insulation</i>	Class H Varnish & Magnet Wire
THREE PHASE	208V 20HP, 208/230V 25 & 30HP, 230V 40HP, 460 & 575V 40, 50 & 60HP. Requires Overload Protection to be Included in control panel.
MOISTURE SENSOR	Normally Open (N/O), Requires Relay in Control Panel
TEMPERATURE SENSOR	Three Normally Closed (N/C). To be wired in series with connector control circuit
OPTIONAL EQUIPMENT	Seal Material, Impeller Trims, Cord Length, Leg Kit (p/n 125506)
MARKINGS	CSA, CE
WEIGHT	882 lbs (400 Kg)
NOISE EMISSION MAX	In-Air 64 dB-A
SUBMERGENCE	Max Depth 66ft (20m)

RECOMMENDED:

<i>Accessories</i>	Break Away Fitting (BAF) Check Valve Control Panel
<i>Seal & Gasket Kit PN</i>	132120B
<i>Bearing Kit PN</i>	132118B
<i>Overhaul Kit PN</i>	132119



Series: 6SHD
25 - 60HP, 1750RPM,
1150RPM, 60Hz



Canadian Standards Association
File No. LR16567-25



Sample Specifications: Section 0.1E Page H.

DESCRIPTION:

SUBMERSIBLE NON-CLOG SEWAGE
PUMP DESIGNED FOR RAW SEWAGE
APPLICATIONS.

SECTION 0.1E
PAGE 22
DATE 2/12

CRANE
®

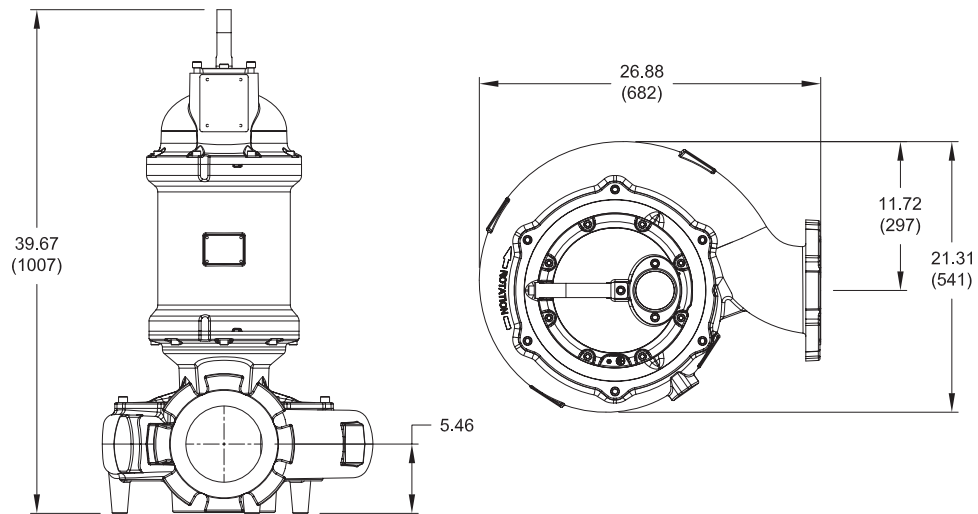
A Crane Co. Company

PUMPS & SYSTEMS

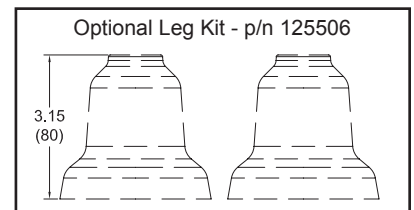
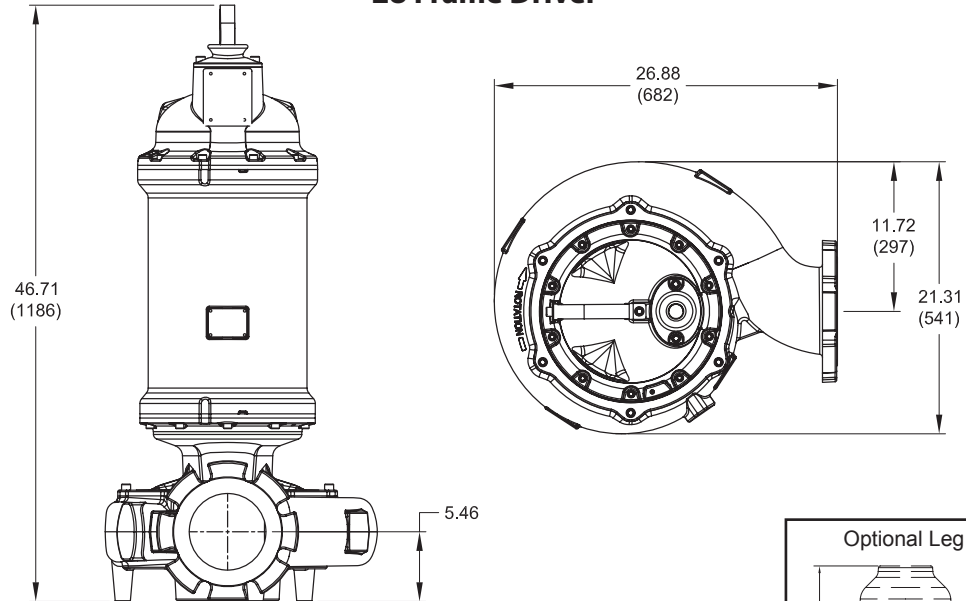
USA: (937) 778-8947 • Canada: (905) 457-6223 • International: (937) 615-3598

Solids Handling Submersible Pumps

21 Frame Driver



28 Frame Driver



IMPORTANT !

- 1.) MOISTURE AND TEMPERATURE SENSORS MUST BE CONNECTED TO VALIDATE THE CSA LISTING.
- 2.) A SPECIAL MOISTURE SENSOR RELAY IS REQUIRED IN THE CONTROL PANEL FOR PROPER OPERATION OF THE MOISTURE SENSORS. CONTACT BARNES PUMPS FOR INFORMATION CONCERNING MOISTURE SENSING RELAYS FOR CUSTOMER SUPPLIED CONTROL PANELS.
- 3.) THESE PUMPS ARE CSA LISTED FOR PUMPING WATER AND WASTEWATER. **DO NOT USE TO PUMP FLAMMABLE LIQUIDS.**
- 4.) INSTALLATIONS SUCH AS DECORATIVE FOUNTAINS OR WATER FEATURES PROVIDED FOR VISUAL ENJOYMENT MUST BE INSTALLED IN ACCORDANCE WITH THE NATIONAL ELECTRIC CODE ANSI/NFPA 70 AND/OR THE AUTHORITY HAVING JURISDICTION. THIS PUMP IS NOT INTENDED FOR USE IN SWIMMING POOLS, RECREATIONAL WATER PARKS, OR INSTALLATIONS IN WHICH HUMAN CONTACT WITH PUMPED MEDIA IS A COMMON OCCURRENCE.
- 5.) THIS PUMP IS NOT APPROPRIATE FOR THOSE APPLICATIONS SPECIFIED AS CLASS 1 DIVISION 1 HAZARDOUS LOCATIONS.

Series 6SHD

3" Spherical Solids Handling



www.cranepumps.com

Solids Handling Submersible Pumps

MODEL NO	PART NO	HP	VOLT	PH	Hz	RPM (Nom)	NEMA START CODE	FULL LOAD AMPS	1.2 SERVICE FACTOR AMPS	LOCKED ROTOR AMPS	DRIVER FRAME	CORD P/N *	CORD SIZE	CORD NOTES
6SHDK25094	132224	25	208 230	3	60	1750	G	77.8 71.4	93.4 82.3	359.0	28	130908	2/4 - 18/4	INCLUDED WITH PUMP
6SHDK25044	132225	25	460	3	60	1750	G	33.2	38.9	191.9	21	125499	8/4 - 18/4	SOLD SEPARATELY
6SHDK25054	132226	25	575	3	60	1750	G	26.6	31.1	153.5	21	125497	12/4 - 18/4	SOLD SEPARATELY
6SHDK30094	132227	30	208 230	3	60	1750	E	93.4 82.3	116.9 98.7	359.0	28	130908	2/4 - 18/4	INCLUDED WITH PUMP
6SHDK30044	132228	30	460	3	60	1750	F	38.9	45.9	191.9	21	125499	8/4 - 18/4	SOLD SEPARATELY
6SHDK30054	132229	30	575	3	60	1750	F	31.1	36.7	153.5	21	125499	8/4 - 18/4	SOLD SEPARATELY
6SHDK40034	132230	40	230	3	60	1750	E	106.0	126.4	486.0	28	130908	2/4 - 18/4	INCLUDED WITH PUMP
6SHDK40044	132231	40	460	3	60	1750	E	53.0	63.2	243.0	28	130907	6/4 - 18/4	INCLUDED WITH PUMP
6SHDK40054	132232	40	575	3	60	1750	E	42.4	50.6	194.4	28	130906	8/4 - 18/4	INCLUDED WITH PUMP
6SHDK50044	132233	50	460	3	60	1750	F	67.1	79.0	339.0	28	130907	6/4 - 18/4	INCLUDED WITH PUMP
6SHDK50054	132234	50	575	3	60	1750	F	53.7	63.2	271.2	28	130907	6/4 - 18/4	INCLUDED WITH PUMP
6SHDK60044	132235	60	460	3	60	1750	E	79.0	95.5	339.0	28	130908	2/4 - 18/4	INCLUDED WITH PUMP
6SHDK60054	132236	60	575	3	60	1750	E	63.2	76.4	271.2	28	130907	6/4 - 18/4	INCLUDED WITH PUMP
SHDK Pump														
6SHDK75N6	132237	7.5	208 230 460	3	60	1150	J	24.9 24.0 12.0	29.6 27.6 13.8	137.6 68.8	21	125496 125497	12/4 - 18/4 12/4 - 18/4	SOLD SEPARATELY
6SHDK7556	132238	7.5	575	3	60	1150	J	9.6	11.0	55.0	21	125497	12/4 - 18/4	SOLD SEPARATELY
6SHDK100N6	132239	10	208 230 460	3	60	1150	F	32.9 30.2 15.1	41.0 35.8 17.9	137.6 68.8	21	125498 125497	8/4 - 18/4 12/4 - 18/4	SOLD SEPARATELY
6SHDK10056	132240	10	575	3	60	1150	F	12.1	14.3	55.0	21	125497	12/4 - 18/4	SOLD SEPARATELY
6SHDK150N6	132241	15	208 230 460	3	60	1150	H	47.0 44.1 22.0	56.8 51.4 25.7	248.6 124.3	21	125498 125497	8/4 - 18/4 12/4 - 18/4	SOLD SEPARATELY
6SHDK15056	132242	15	575	3	60	1150	H	17.6	20.6	99.4	21	125497	12/4 - 18/4	SOLD SEPARATELY
6SHDK20096	132243	20	208 230	3	60	1150	H	60.3 59.8	71.5 68.2	354.0	28	130907	6/4 - 18/4	INCLUDED WITH PUMP
6SHDK20046	132244	20	460	3	60	1150	E	28.6	34.9	248.6	21	125499	8/4 - 18/4	SOLD SEPARATELY
6SHDK20056	132245	20	575	3	60	1150	E	22.9	27.9	99.4	21	125497	12/4 - 18/4	SOLD SEPARATELY
6SHDK25096	132246	25	208 230	3	60	1150	G	75.2 70.8	90.8 82.6	354.0	28	130908	2/4 - 18/4	INCLUDED WITH PUMP
6SHDK25046	132247	25	460	3	60	1150	G	35.4	41.3	177.0	28	130906	8/4 - 18/4	INCLUDED WITH PUMP
6SHDK25056	132248	25	575	3	60	1150	G	28.3	33.0	141.6	28	130906	8/4 - 18/4	INCLUDED WITH PUMP
6SHDK30096	132249	30	208 230	3	60	1150	E	90.8 82.6	114.9 99.7	354.0	28	130908	2/4 - 18/4	INCLUDED WITH PUMP
6SHDK30046	132250	30	460	3	60	1150	E	41.3	49.9	177.0	28	130906	8/4 - 18/4	INCLUDED WITH PUMP
6SHDK30056	132251	30	575	3	60	1150	E	33.0	39.9	141.6	28	130906	8/4 - 18/4	INCLUDED WITH PUMP
6SHDK40036	132252	40	230	3	60	1150	E	110.4	131.8	476.0	28	130908	2/4 - 18/4	INCLUDED WITH PUMP
6SHDK40046	132253	40	460	3	60	1150	E	55.2	65.9	238.0	28	130907	6/4 - 18/4	INCLUDED WITH PUMP
6SHDK40056	132254	40	575	3	60	1150	E	44.2	52.7	190.4	28	130906	8/4 - 18/4	INCLUDED WITH PUMP

Moisture and Temperature sensor leads are integral to power cord.

Pump rated for operation at ± 10% voltage at motor.

* Cord Suffix: XC - 30 Feet, XF - 50 Feet, XJ - 75 Feet, XL - 100 Feet

SECTION 0.1E
PAGE 24
DATE 12/13

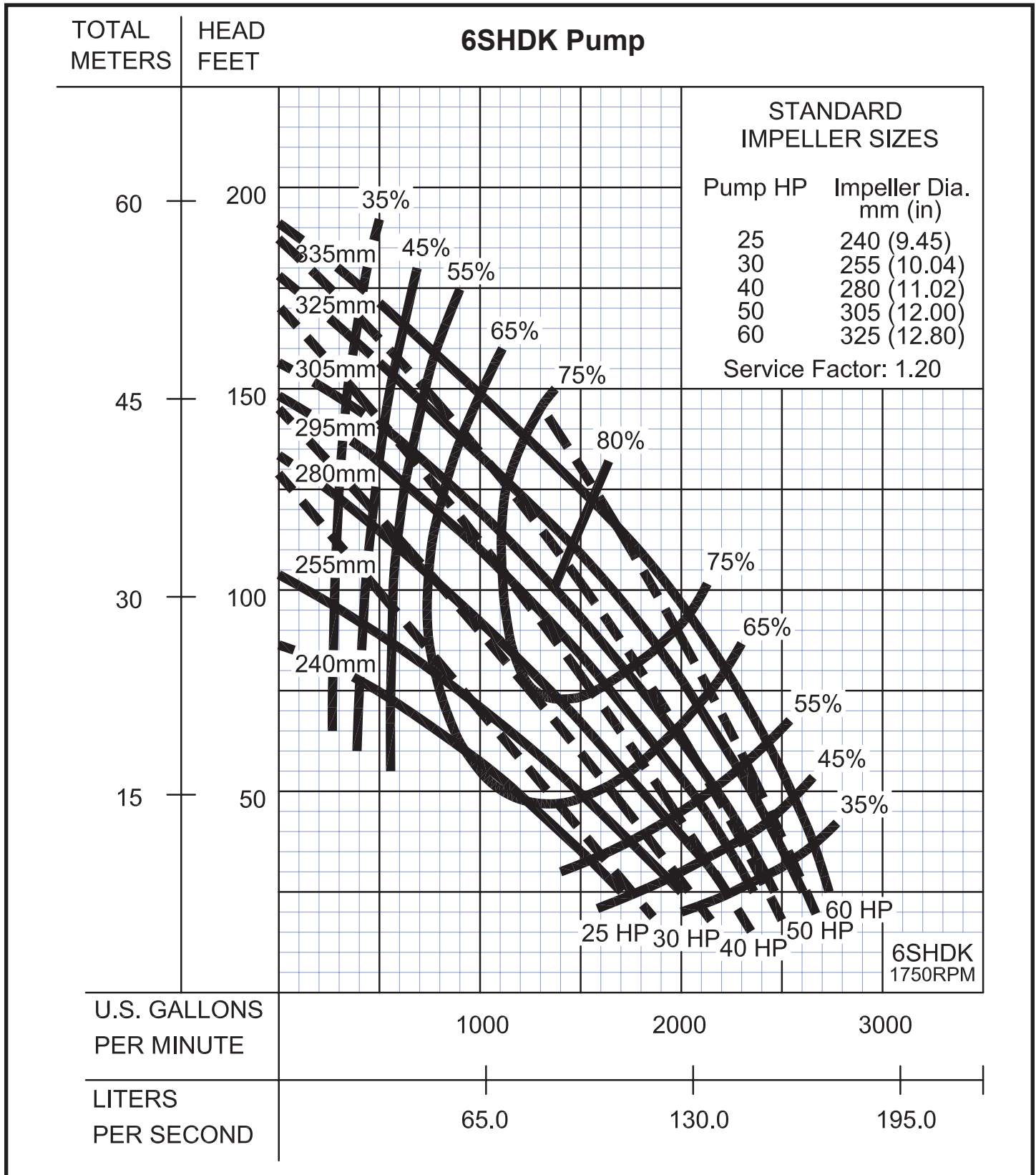


PUMPS & SYSTEMS

A Crane Co. Company

USA: (937) 778-8947 • Canada: (905) 457-6223 • International: (937) 615-3598

Solids Handling Submersible Pumps



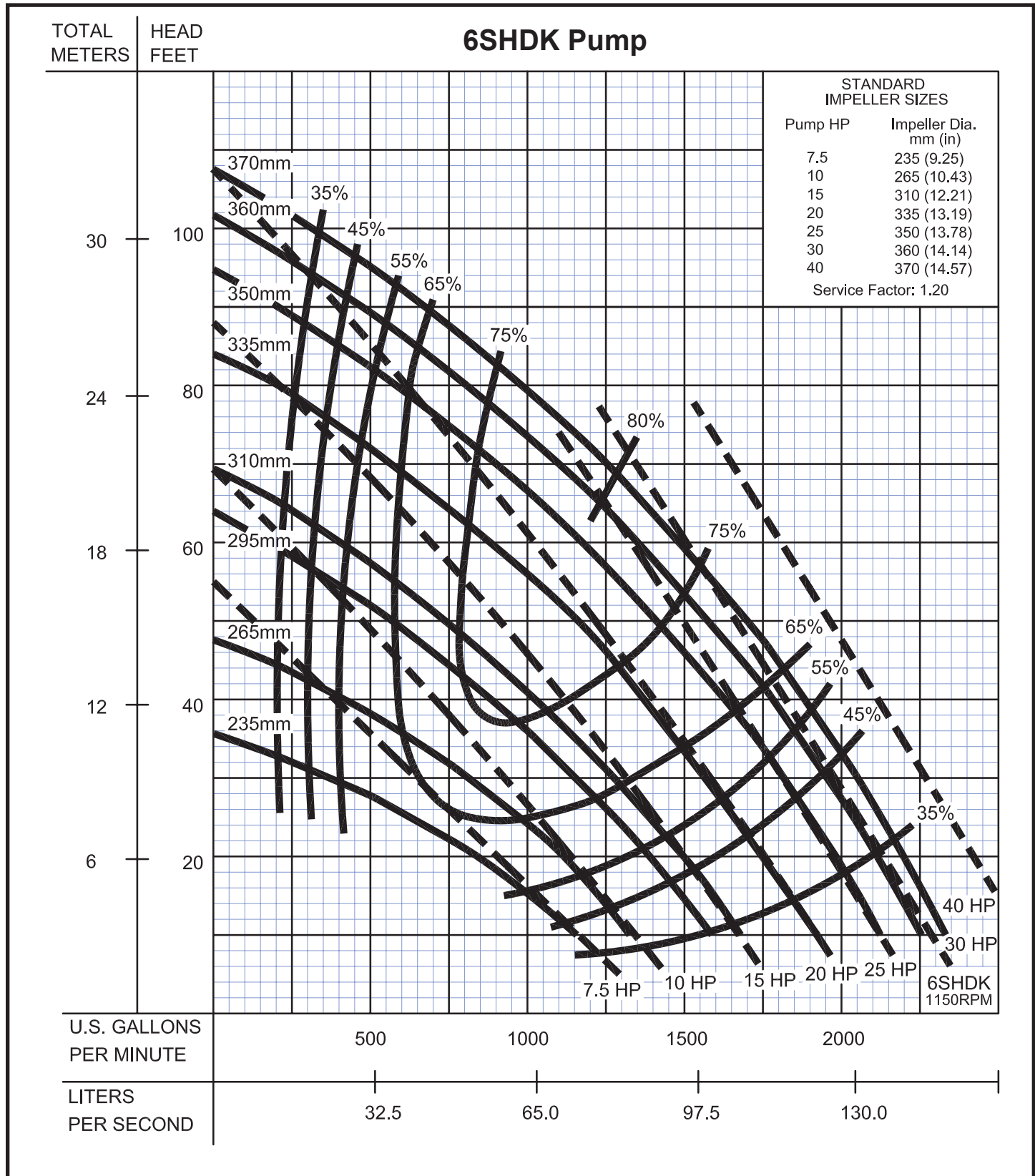
Series 6SHD

Performance Curve
7.5 - 40HP, 1150RPM, 60Hz



www.cranepumps.com

Solids Handling Submersible Pumps



SECTION 0.1E
PAGE 26
DATE 2/12



A Crane Co. Company

PUMPS & SYSTEMS

USA: (937) 778-8947 • Canada: (905) 457-6223 • International: (937) 615-3598