

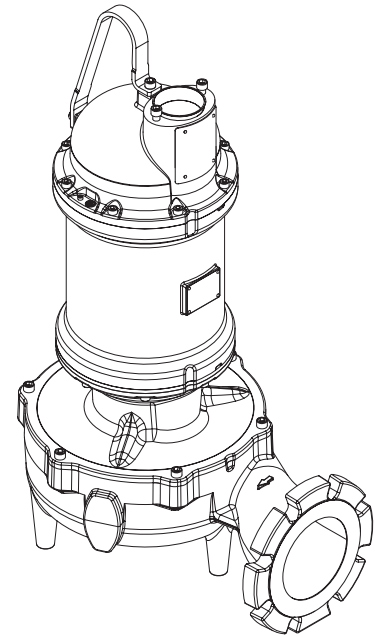
Solids Handling Submersible Pumps

Specifications:

DISCHARGE	6", 125 lb. Horizontal Flange Slotted to accommodate 150mm ISO Flanges
LIQUID TEMPERATURE	104°F (40°C) Continuous
VOLUTE	Cast Iron ASTM A-48, Class 30
WEAR RING	C954 Lead-Free Bronze
MOTOR HOUSING	Cast Iron ASTM A-48, Class 30
SEAL PLATE	Cast Iron ASTM A-48, Class 30
IMPELLER:	
<i>Design</i>	Vortex, With Pump Out Vaness on Back Side. Dynamically Balanced ISO G6.3
<i>Material</i>	Ductile Iron ASTM A-536, 65-45-12
SHAFT	416 Stainless Steel
"O" RINGS	Buna-N
HARDWARE	300 Series Stainless Steel
LIFTING BAIL	300 Series Stainless Steel
PAINT	Epoxy Dupont Corlar® Amine Epoxy, Two Coats
SEAL: <i>Design</i>	Tandem Mechanical, Oil Filled Reservoir.
<i>Material: Inboard</i>	Rotating Faces - Carbon Stationary Faces - Ceramic
<i>Material: Outboard</i>	Rotating Faces - Silicon Carbide Stationary Faces - Silicon Carbide Elastomer - Buna-N
Hardware - 300 Series Stainless	
CORD ENTRY	Custom Molded, Quick Connected for Sealing and Strain Relief
POWER CORD	CSA Certified Submersible Power Cable 2000V - Ordered Separately
SPEED	1750 & 1150RPM (Nominal)
UPPER BEARING:	
<i>Design</i>	Single Row, Ball, Oil Lubricated
<i>Load</i>	Radial
LOWER BEARING:	
<i>Design</i>	Double Row, Ball, Oil Lubricated
<i>Load</i>	Radial & Thrust
MOTOR: <i>Design</i>	NEMA B Three Phase Torque Curve. Oil-Filled, Squirrel Cage Induction, Inverter Duty rated per NEMA MG1
<i>Insulation</i>	Class H Varnish & Magnet Wire
THREE PHASE	Tri-voltage 208-230/460V up to 15HP, Dual Voltage 230/460V up to 20 HP, 460V only 25 & 30 HP & 575V; 7.5 thru 30HP. Requires Overload Protection to be Included in control panel.
MOISTURE SENSOR	Normally Open (N/O), Requires Relay in Control Panel
TEMPERATURE SENSOR	Three Normally Closed (N/C). To be wired in series with connector control circuit
OPTIONAL EQUIPMENT	Seal Material, Impeller Trims, Cord Length, Leg Kit (p/n 125506)
MARKINGS	CSA, CE
WEIGHT	588 lbs (267 Kg)
NOISE EMISSION MAX	In-Air 64 dB-A
SUBMERGENCE	Max Depth 66ft (20m)

RECOMMENDED:

<i>Accessories</i>	Break Away Fitting (BAF) Check Valve Control Panel
<i>Seal & Gasket Kit PN</i>	132120A
<i>Bearing Kit PN</i>	132118A
<i>Overhaul Kit PN</i>	132119



Series: 6SHV 7.5 - 30HP, 1750RPM, 1150RPM, 60Hz



Canadian Standards Association
File No. LR16567-25



This product may be covered by one
or more of the following patents and
other patent(s) pending:
US Patent 7,931,473

Sample Specifications: Section 0.1E Page F.

DESCRIPTION:

SUBMERSIBLE NON-CLOG SEWAGE
PUMP DESIGNED FOR RAW SEWAGE
APPLICATIONS.

Series 6SHV

28 Frame Driver
3" Spherical Solids Handling

BARNES®

www.cranepumps.com

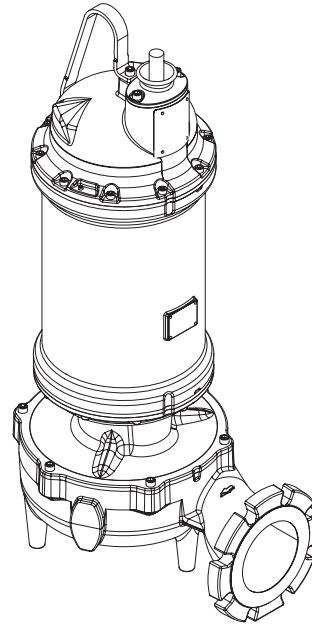
Solids Handling Submersible Pumps

Specifications:

DISCHARGE	6", 125 lb. Horizontal Flange Slotted to accommodate 150mm ISO Flanges
LIQUID TEMPERATURE	104°F (40°C) Continuous
VOLUTE	Cast Iron ASTM A-48, Class 30
WEAR RING	C954 Lead-Free Bronze
MOTOR HOUSING	Cast Iron ASTM A-48, Class 30
SEAL PLATE	Ductile Iron ASTM A-536, 65-45-12
IMPELLER:	
<i>Design</i>	Vortex, With Pump Out Vaness on Back Side. Dynamically Balanced ISO G6.3
<i>Material</i>	Ductile Iron ASTM A-536, 65-45-12
SHAFT	416 Stainless Steel
"O" RINGS	Buna-N
HARDWARE	300 Series Stainless Steel
LIFTING BAIL	300 Series Stainless Steel
PAINT	Epoxy Dupont Cortar® Amine Epoxy, Two Coats
SEAL:	
<i>Design</i>	Tandem Mechanical, Oil Filled Reservoir.
<i>Material: Inboard</i>	Rotating Faces - Carbon Stationary Faces - Ceramic
<i>Material: Outboard</i>	Rotating Faces - Silicon Carbide Stationary Faces - Silicon Carbide Elastomer - Buna-N Hardware - 300 Series Stainless
CORD ENTRY	50 ft. (12.1m) Cord. Dual Pressure Grommet for sealing and strain relief
POWER CORD	CSA Certified Submersible Power Cable 2000V
SPEED	1750 & 1150RPM (Nominal)
UPPER BEARING:	
<i>Design</i>	Single Row, Ball, Oil Lubricated
<i>Load</i>	Radial
LOWER BEARING:	
<i>Design</i>	Double Row, Ball, Oil Lubricated
<i>Load</i>	Radial & Thrust
MOTOR:	
<i>Design</i>	NEMA B Three Phase Torque Curve. Oil-Filled, Squirrel Cage Induction, Inverter Duty rated per NEMA MG1
<i>Insulation</i>	Class H Varnish & Magnet Wire
THREE PHASE	208V 20HP, 208/230V 25 & 30HP, 230V 40HP, 460V & 575V 40 & 50HP. Requires Overload Protection to be Included in control panel.
MOISTURE SENSOR	Normally Open (N/O), Requires Relay in Control Panel
TEMPERATURE SENSOR	Three Normally Closed (N/C). To be wired in series with connector control circuit
OPTIONAL EQUIPMENT	Seal Material, Impeller Trims, Cord Length, Leg Kit (p/n 125506)
MARKINGS	CSA, CE
WEIGHT	796 lbs (361 Kg)
NOISE EMISSION MAX	In-Air 64 dB-A
SUBMERGENCE	Max Depth 66ft (20m)

RECOMMENDED:

<i>Accessories</i>	Break Away Fitting (BAF) Check Valve Control Panel
<i>Seal & Gasket Kit PN</i>	132120B
<i>Bearing Kit PN</i>	132118B
<i>Overhaul Kit PN</i>	132119



Series: 6SHV
20- 60HP, 1750RPM,
1150RPM, 60Hz



Canadian Standards Association
File No. LR16567-25



Sample Specifications: Section 0.1E Page F.

DESCRIPTION:

SUBMERSIBLE NON-CLOG SEWAGE
PUMP DESIGNED FOR RAW SEWAGE
APPLICATIONS.

SECTION 0.1E
PAGE 2
DATE 2/12

CRANE
®

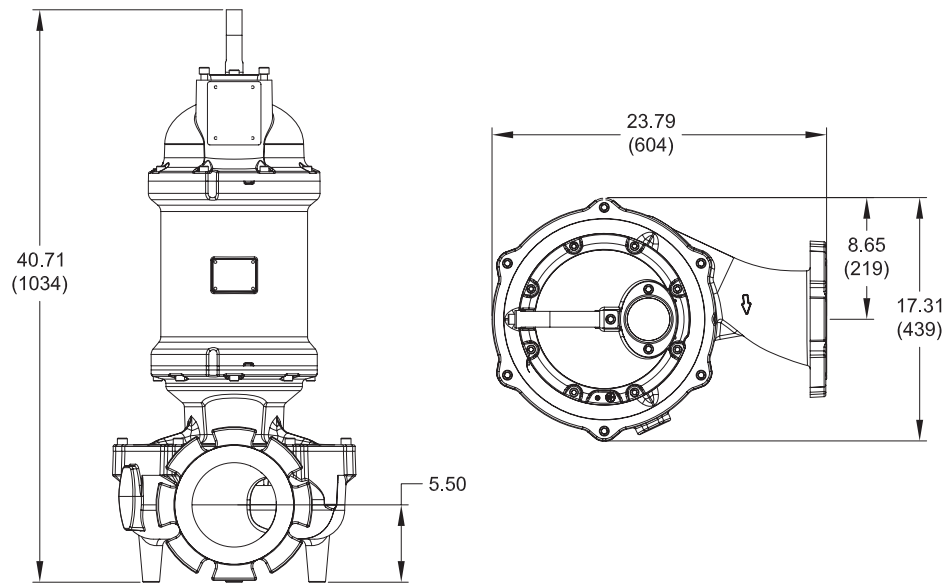
A Crane Co. Company

PUMPS & SYSTEMS

USA: (937) 778-8947 • Canada: (905) 457-6223 • International: (937) 615-3598

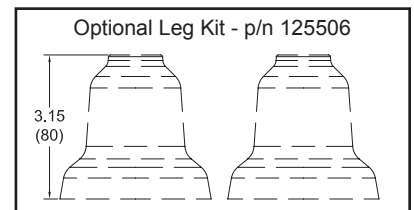
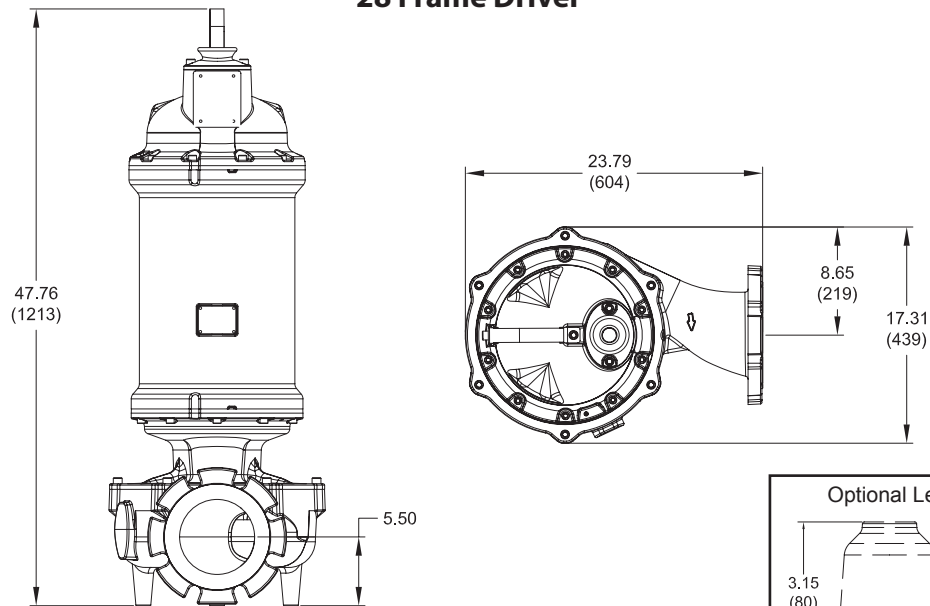
Solids Handling Submersible Pumps

21 Frame Driver



inches
(mm)

28 Frame Driver



IMPORTANT !

- 1.) MOISTURE AND TEMPERATURE SENSORS MUST BE CONNECTED TO VALIDATE THE CSA LISTING.
- 2.) A SPECIAL MOISTURE SENSOR RELAY IS REQUIRED IN THE CONTROL PANEL FOR PROPER OPERATION OF THE MOISTURE SENSORS. CONTACT BARNES PUMPS FOR INFORMATION CONCERNING MOISTURE SENSING RELAYS FOR CUSTOMER SUPPLIED CONTROL PANELS.
- 3.) THESE PUMPS ARE CSA LISTED FOR PUMPING WATER AND WASTEWATER. **DO NOT USE TO PUMP FLAMMABLE LIQUIDS.**
- 4.) INSTALLATIONS SUCH AS DECORATIVE FOUNTAINS OR WATER FEATURES PROVIDED FOR VISUAL ENJOYMENT MUST BE INSTALLED IN ACCORDANCE WITH THE NATIONAL ELECTRIC CODE ANSI/NFPA 70 AND/OR THE AUTHORITY HAVING JURISDICTION. THIS PUMP IS NOT INTENDED FOR USE IN SWIMMING POOLS, RECREATIONAL WATER PARKS, OR INSTALLATIONS IN WHICH HUMAN CONTACT WITH PUMPED MEDIA IS A COMMON OCCURRENCE.
- 5.) THIS PUMP IS NOT APPROPRIATE FOR THOSE APPLICATIONS SPECIFIED AS CLASS 1 DIVISION 1 HAZARDOUS LOCATIONS.

Series 6SHV

1750RPM

3" Spherical Solids Handling



www.cranepumps.com

Solids Handling Submersible Pumps

MODEL NO	PART NO	HP	VOLT	PH	Hz	RPM (Nom)	NEMA START CODE	FULL LOAD AMPS	1.2 SERVICE FACTOR AMPS	LOCKED ROTOR AMPS	DRIVER FRAME	CORD P/N *	CORD SIZE	CORD NOTES
6SHVL20064	132257	20.0	208	3	60	1750	G	63.0	74.6	323.0	28	130907	6/4 - 18/4	INCLUDED WITH PUMP
6SHVL20084	132258	20.0	230	3	60	1750	J	53.7	59.0	383.9	21	125498	8/4 - 18/4	SOLD SEPARATELY
			460					26.9	29.9			125497	12/4 - 18/4	
6SHVL20054	132259	20.0	575	3	60	1750	J	21.5	23.9	153.5	21	125497	12/4 - 18/4	SOLD SEPARATELY
6SHVL25094	132260	25.0	208	3	60	1750	G	77.8	93.4	359.0	28	130908	2/4 - 18/4	INCLUDED WITH PUMP
			230					71.4	82.3					
6SHVL25044	132261	25.0	460	3	60	1750	G	33.2	38.9	191.9	21	125499	8/4 - 18/4	SOLD SEPARATELY
6SHVL25054	132262	25.0	575	3	60	1750	G	26.6	31.1	153.5	21	125497	12/4 - 18/4	SOLD SEPARATELY
6SHVL30094	132263	30	208	3	60	1750	E	93.4	116.9	359.0	28	130908	2/4 - 18/4	INCLUDED WITH PUMP
			230					82.3	98.7					
6SHVL30044	132264	30.0	460	3	60	1750	F	38.9	45.9	191.9	21	125499	8/4 - 18/4	SOLD SEPARATELY
6SHVL30054	132265	30.0	575	3	60	1750	F	31.1	36.7	153.5	21	125499	8/4 - 18/4	SOLD SEPARATELY
6SHVL40034	132266	40.0	230	3	60	1750	E	106.0	126.4	486.0	28	130908	2/4 - 18/4	INCLUDED WITH PUMP
6SHVL40044	132267	40.0	460	3	60	1750	E	53.0	63.2	243.0	28	130907	6/4 - 18/4	INCLUDED WITH PUMP
6SHVL40054	132268	40.0	575	3	60	1750	E	42.4	50.6	194.4	28	130906	8/4 - 18/4	INCLUDED WITH PUMP
6SHVL50044	132269	50.0	460	3	60	1750	E	67.1	79.0	339.0	28	130907	6/4 - 18/4	INCLUDED WITH PUMP
6SHVL50054	132270	50.0	575	3	60	1750	E	53.7	63.2	271.2	28	130907	6/4 - 18/4	INCLUDED WITH PUMP
6SHVL60044	132271	60.0	460	3	60	1750	E	79.0	95.5	339.0	28	130908	2/4 - 18/4	INCLUDED WITH PUMP
6SHVL60054	132272	60.0	575	3	60	1750	E	63.2	76.4	271.2	28	130907	6/4 - 18/4	INCLUDED WITH PUMP

SHVL Pump

IMPORTANT !

Moisture and Temperature sensor leads are integral to power cord.

Pump rated for operation at ± 10% voltage at motor.

* Cord Suffix: XC - 30 Feet, XF - 50 Feet, XJ - 75 Feet, XL - 100 Feet.

SECTION 0.1E
PAGE 4
DATE 12/13



PUMPS & SYSTEMS

A Crane Co. Company

USA: (937) 778-8947 • Canada: (905) 457-6223 • International: (937) 615-3598

Solids Handling Submersible Pumps

MODEL NO	PART NO	HP	VOLT	PH	Hz	RPM (Nom)	NEMA START CODE	FULL LOAD AMPS	1.2 SERVICE FACTOR AMPS	LOCKED ROTOR AMPS	DRIVER FRAME	CORD P/N *	CORD SIZE	CORD NOTES
6SHVL75N6	132273	7.5	208	3	60	1150	J	24.9	29.6	137.6	21	125496	12/4 - 18/4	SOLD SEPARATELY
			230					27.6	68.8					
			460					13.8	55.0					
6SHVL7556	132274	7.5	575	3	60	1150	J	9.6	11.0	41.0	21	125497	12/4 - 18/4	SOLD SEPARATELY
6SHVL100N6	132275	10.0	208	3	60	1150	F	32.9	35.8	137.6	21	125498	8/4 - 18/4	SOLD SEPARATELY
			230					17.9	68.8					
			460					14.3	55.0					
6SHVL10056	132276	10.0	575	3	60	1150	F	12.1	14.3	56.8	21	125497	12/4 - 18/4	SOLD SEPARATELY
6SHVL150N6	132277	15.0	208	3	60	1150	H	47.0	51.4	248.6	21	125498	8/4 - 18/4	SOLD SEPARATELY
			230					25.7	124.3					
			460					20.6	99.4					
6SHVL15056	132278	15.0	575	3	60	1150	H	17.6	20.6	99.4	21	125497	12/4 - 18/4	SOLD SEPARATELY
6SHVL200N6	132279	20.0	208	3	60	1150	H	60.3	71.5	354.0	28	130907	6/4 - 18/4	INCLUDED WITH PUMP
			230					68.2	354.0					
6SHVL20046	132280	20.0	460	3	60	1150	E	28.6	34.9	248.6	21	125499	8/4 - 18/4	SOLD SEPARATELY
6SHVL20056	132281	20.0	575	3	60	1150	E	22.9	27.9	99.4	21	125497	12/4 - 18/4	SOLD SEPARATELY
			208					90.8	354.0					
6SHVL250N6	132282	25.0	230	3	60	1150	G	70.8	82.6	354.0	28	130908	2/4 - 18/4	INCLUDED WITH PUMP
6SHVL25046	132283	25.0	460	3	60	1150	G	35.4	41.3	177.0	28	130906	8/4 - 18/4	INCLUDED WITH PUMP
			575					33.0	141.6					
6SHVL25056	132284	25.0	575	3	60	1150	G	28.3	33.0	141.6	28	130906	8/4 - 18/4	INCLUDED WITH PUMP
6SHVL300N6	132285	30	208	3	60	1150	E	90.8	114.9	354.0	28	130908	2/4 - 18/4	INCLUDED WITH PUMP
			230					99.7	354.0					
6SHVL30046	132286	30.0	460	3	60	1150	E	41.3	49.9	177.0	28	130906	8/4 - 18/4	INCLUDED WITH PUMP
6SHVL30056	132287	30.0	575	3	60	1150	E	33.0	39.9	141.6	28	130906	8/4 - 18/4	INCLUDED WITH PUMP
			230					131.8	476.0					
6SHVL40036	132288	40.0	230	3	60	1150	E	110.4	131.8	476.0	28	130908	2/4 - 18/4	INCLUDED WITH PUMP
6SHVL40046	132289	40.0	460	3	60	1150	E	55.2	65.9	238.0	28	130907	6/4 - 18/4	INCLUDED WITH PUMP
			575					52.7	190.4					
6SHVL40056	132290	40.0	575	3	60	1150	E	44.2	52.7	190.4	28	130906	8/4 - 18/4	INCLUDED WITH PUMP

SHVL Pump

IMPORTANT !

Moisture and Temperature sensor leads are integral to power cord.

Pump rated for operation at ± 10% voltage at motor.

* Cord Suffix: XC - 30 Feet, XF - 50 Feet, XJ - 75 Feet, or XL - 100 Feet.

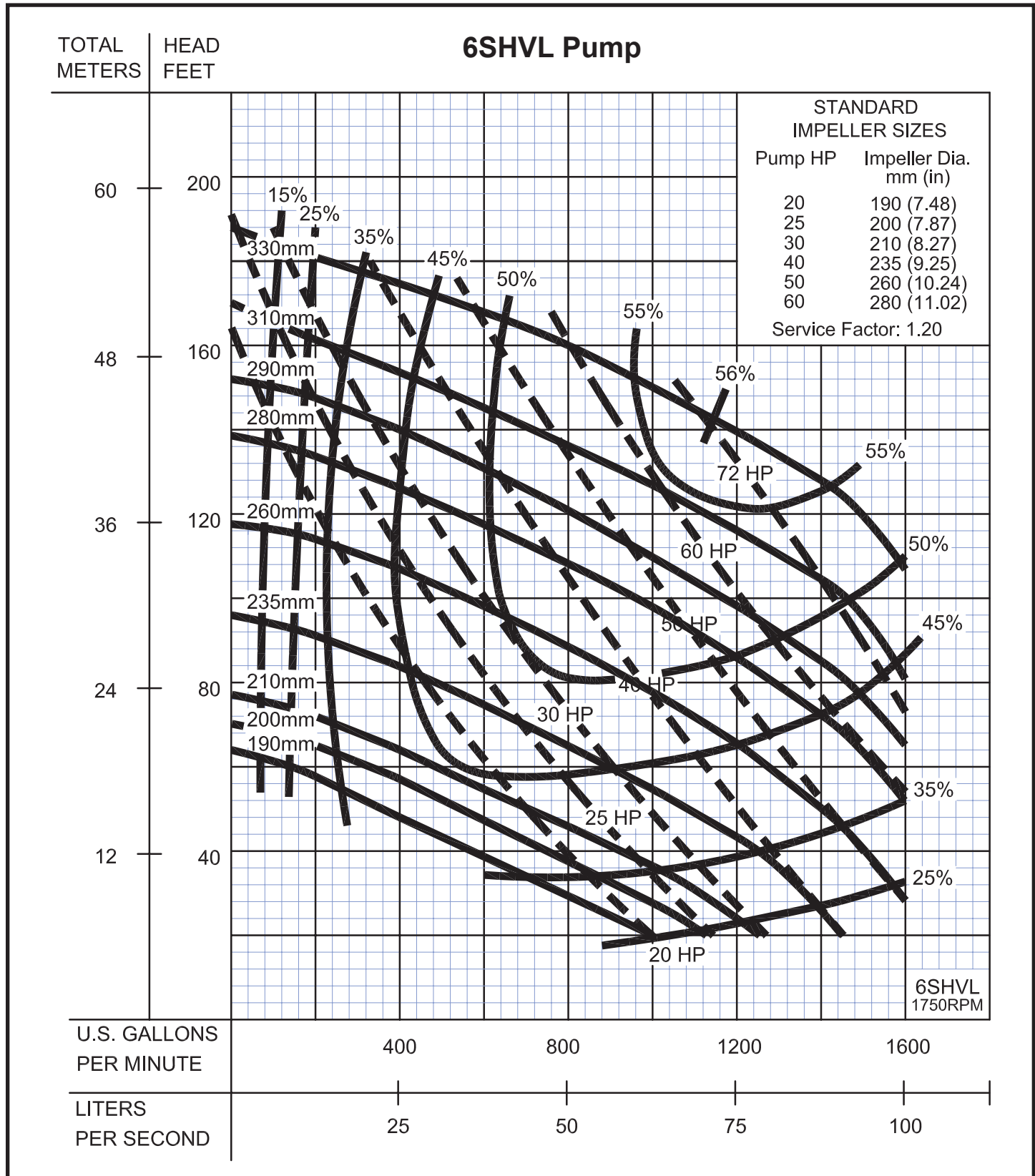
Series 6SHV

Performance Curve
20 - 60HP, 1750RPM, 60Hz



www.cranepumps.com

Solids Handling Submersible Pumps



SECTION 0.1E
PAGE 6
DATE 2/12



A Crane Co. Company

PUMPS & SYSTEMS

USA: (937) 778-8947 • Canada: (905) 457-6223 • International: (937) 615-3598

Solids Handling Submersible Pumps

