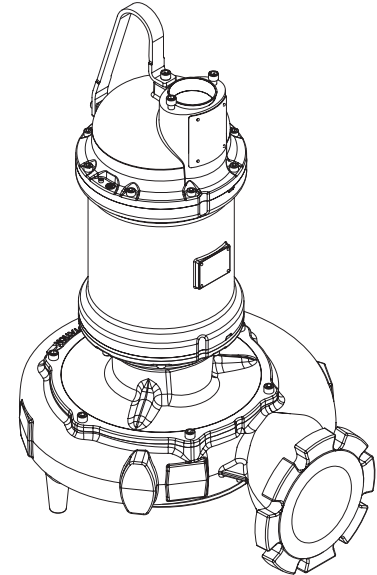


### Solids Handling Submersible Pumps

## Specifications:

<b>DISCHARGE</b> .....	6", 125 lb. Horizontal Flange Slotted to accommodate 150mm ISO Flanges
<b>LIQUID TEMPERATURE</b> .....	104°F (40°C) Continuous
<b>VOLUTE</b> .....	Cast Iron ASTM A-48, Class 30
<b>WEAR RING</b> .....	C954 Lead-Free Bronze
<b>MOTOR HOUSING</b> .....	Cast Iron ASTM A-48, Class 30
<b>SEAL PLATE</b> .....	Cast Iron ASTM A-48, Class 30
<b>IMPELLER:</b>	
<i>Design</i> .....	Enclosed Dual Vane, With Pump Out Vaness on Back Side. Dynamically Balanced ISO G6.3
<i>Material</i> .....	Ductile Iron ASTM A-536, 65-45-12
<b>SHAFT</b> .....	416 Stainless Steel
<b>"O" RINGS</b> .....	Buna-N
<b>HARDWARE</b> .....	300 Series Stainless Steel
<b>LIFTING BAIL</b> .....	300 Series Stainless Steel
<b>PAINT</b> .....	Epoxy Dupont Cortar® Amine Epoxy, Two Coats
<b>SEAL:</b>	
<i>Design</i> .....	Tandem Mechanical, Oil Filled Reservoir.
<i>Material: Inboard</i> .....	Rotating Faces - Carbon Stationary Faces - Ceramic
<i>Material: Outboard</i> .....	Rotating Faces - Silicon Carbide Stationary Faces - Silicon Carbide Elastomer - Buna-N
Hardware .....	300 Series Stainless
<b>CORD ENTRY</b> .....	Custom Molded, Quick Connected for Sealing and Strain Relief
<b>POWER CORD</b> .....	CSA Certified Submersible Power Cable 2000V - Ordered Separately
<b>SPEED</b> .....	1750 & 1150RPM (Nominal)
<b>UPPER BEARING:</b>	
<i>Design</i> .....	Single Row, Ball, Oil Lubricated
<i>Load</i> .....	Radial
<b>LOWER BEARING:</b>	
<i>Design</i> .....	Double Row, Ball, Oil Lubricated
<i>Load</i> .....	Radial & Thrust
<b>MOTOR:</b>	
<i>Design</i> .....	NEMA B Three Phase Torque Curve. Oil-Filled, Squirrel Cage Induction, Inverter Duty rated per NEMA MG1
<i>Insulation</i> .....	Class H Varnish & Magnet Wire
<b>THREE PHASE</b> .....	Dual Voltage 230/460V 20HP, 460V 25 & 30HP, 575V 20, 25 & 30HP. Requires Overload Protection to be Included in control panel.
<b>MOISTURE SENSOR</b> .....	Normally Open (N/O), Requires Relay in Control Panel
<b>TEMPERATURE SENSOR</b> ....	Three Normally Closed (N/C). To be wired in series with connector control circuit
<b>OPTIONAL EQUIPMENT</b> .....	Seal Material, Impeller Trims, Cord Length, Leg Kit (p/n 125506)
<b>MARKINGS</b> .....	CSA, FM
<b>WEIGHT</b> .....	674 lbs (306 Kg)
<b>NOISE EMISSION MAX</b> .....	In-Air 64t dB-A
<b>SUBMERGENCE</b> .....	Max Depth 66ft (20m)
<b>RECOMMENDED:</b>	
<i>Accessories</i> .....	Break Away Fitting (BAF) Check Valve Control Panel
<i>Seal &amp; Gasket Kit PN</i> .....	132120A
<i>Bearing Kit PN</i> .....	132118A
<i>Overhaul Kit PN</i> .....	132119



**Series: 6XSHD**  
**7.5 - 30HP, 1750RPM,**  
**1150RPM, 60Hz**

**Explosion Proof, Class 1,**  
**Division 1, Groups C & D, T4**



Canadian Standards Association  
File No. LR16567-25



This product may be covered by one or more of the following patents and other patent(s) pending:  
US Patent 7,931,473

Sample Specifications: Section 0.1F Page H.

### DESCRIPTION:

SUBMERSIBLE NON-CLOG SEWAGE  
PUMP DESIGNED FOR RAW SEWAGE  
APPLICATIONS.

# Series 6XSHD

28 Frame Driver  
3" Spherical Solids Handling

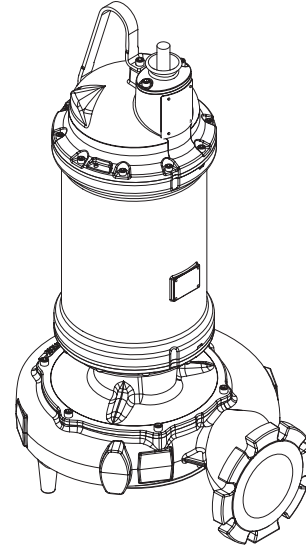
# BARNES®

www.cranepumps.com

## Solids Handling Submersible Pumps

### Specifications:

<b>DISCHARGE</b> .....	6", 125 lb. Horizontal Flange Slotted to accommodate 150mm ISO Flanges
<b>LIQUID TEMPERATURE</b> .....	104°F (40°C) Continuous
<b>VOLUTE</b> .....	Cast Iron ASTM A-48, Class 30
<b>WEAR RING</b> .....	C954 Lead-Free Bronze
<b>MOTOR HOUSING</b> .....	Cast Iron ASTM A-48, Class 30
<b>SEAL PLATE</b> .....	Ductile Iron ASTM A-536, 65-45-12
<b>IMPELLER:</b>	
<i>Design</i> .....	Enclosed Dual Vane, With Pump Out Vaness on Back Side. Dynamically Balanced ISO G6.3
<i>Material</i> .....	Ductile Iron ASTM A-536, 65-45-12
<b>SHAFT</b> .....	416 Stainless Steel
<b>"O" RINGS</b> .....	Buna-N
<b>HARDWARE</b> .....	300 Series Stainless Steel
<b>LIFTING BAIL</b> .....	300 Series Stainless Steel
<b>PAINT</b> .....	Epoxy Dupont Corlar® Amine Epoxy, Two Coats
<b>SEAL:</b> <i>Design</i> .....	Tandem Mechanical, Oil Filled Reservoir.
<i>Material: Inboard</i> .....	Rotating Faces - Carbon Stationary Faces - Ceramic
<i>Material: Outboard</i> .....	Rotating Faces - Silicon Carbide Stationary Faces - Silicon Carbide Elastomer - Buna-N Hardware - 300 Series Stainless
<b>CORD ENTRY</b> .....	50 ft. (12.1m) Cord. Dual Pressure Grommet for Sealing & Stain Relief
<b>POWER CORD</b> .....	CSA Certified Submersible Power Cable 2000V
<b>SPEED</b> .....	1750 & 1150RPM (Nominal)
<b>UPPER BEARING:</b>	
<i>Design</i> .....	Single Row, Ball, Oil Lubricated
<i>Load</i> .....	Radial
<b>LOWER BEARING:</b>	
<i>Design</i> .....	Double Row, Ball, Oil Lubricated
<i>Load</i> .....	Radial & Thrust
<b>MOTOR:</b> <i>Design</i> .....	NEMA B Three Phase Torque Curve. Oil-Filled, Squirrel Cage Induction, Inverter Duty rated per NEMA MG1
<i>Insulation</i> .....	Class H Varnish & Magnet Wire
<b>THREE PHASE</b> .....	208V 20HP, 208/230V 25 & 30HP, 230V 40HP, 460 & 575V 40, 50 & 60HP. Requires Overload Protection to be Included in control panel.
<b>MOISTURE SENSOR</b> .....	Normally Open (N/O), Requires Relay in Control Panel
<b>TEMPERATURE SENSOR</b> ....	Three Normally Closed (N/C). To be wired in series with connector control circuit
<b>OPTIONAL EQUIPMENT</b> .....	Seal Material, Impeller Trims, Cord Length, Leg Kit (p/n 125506)
<b>MARKINGS</b> .....	CSA, FM
<b>WEIGHT</b> .....	882 lbs (400 Kg)
<b>NOISE EMISSION MAX</b> .....	In-Air 64 dB-A
<b>SUBMERGENCE</b> .....	Max Depth 66ft (20m)
<b>RECOMMENDED:</b>	
<i>Accessories</i> .....	Break Away Fitting (BAF) Check Valve Control Panel
<i>Seal &amp; Gasket Kit PN</i> .....	132120B
<i>Bearing Kit PN</i> .....	132118B
<i>Overhaul Kit PN</i> .....	132119



**Series: 6XSHD**  
**20 - 60HP, 1750RPM,**  
**1150RPM, 60Hz**

**Explosion Proof, Class 1,**  
**Division 1, Groups C & D, T4**



Canadian Standards Association  
File No. LR16567-25



Sample Specifications: Section 0.1F Page H.

### DESCRIPTION:

SUBMERSIBLE NON-CLOG SEWAGE  
PUMP DESIGNED FOR RAW SEWAGE  
APPLICATIONS.

SECTION 0.1F  
PAGE 22  
DATE 2/12

## CRANE®

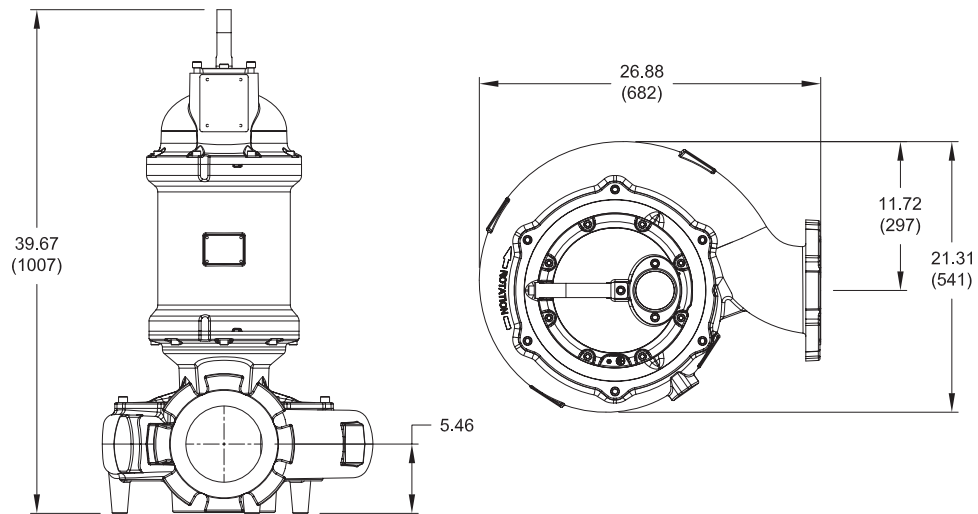
A Crane Co. Company

## PUMPS & SYSTEMS

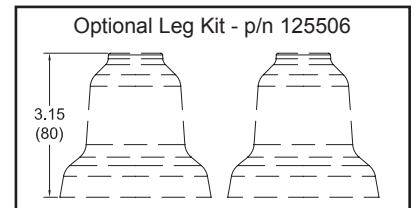
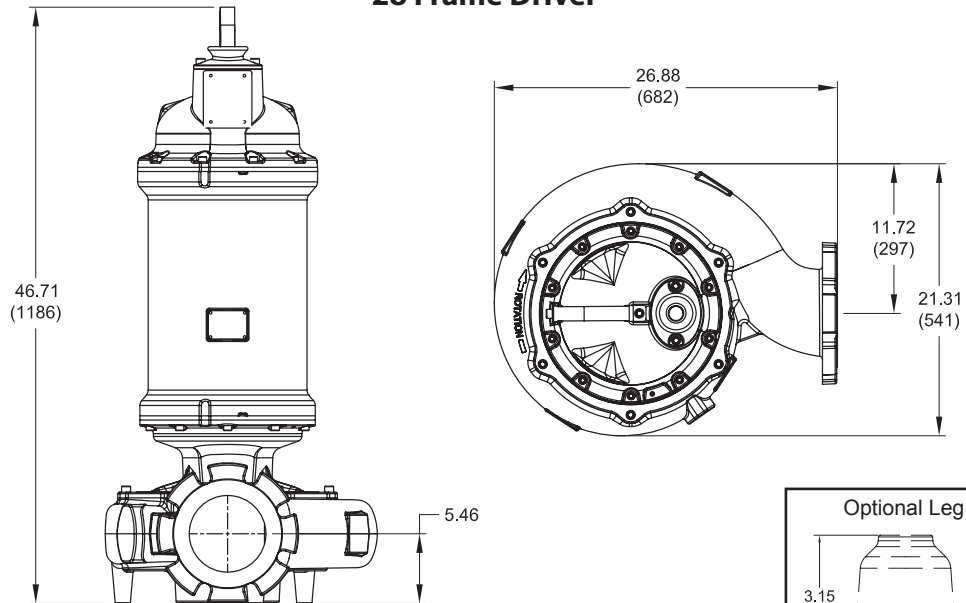
USA: (937) 778-8947 • Canada: (905) 457-6223 • International: (937) 615-3598

### Solids Handling Submersible Pumps

#### 21 Frame Driver



#### 28 Frame Driver



#### IMPORTANT !

- 1.) MOISTURE AND TEMPERATURE SENSORS MUST BE CONNECTED TO VALIDATE THE CSA AND FM LISTING.
- 2.) A SPECIAL MOISTURE SENSOR RELAY IS REQUIRED IN THE CONTROL PANEL FOR PROPER OPERATION OF THE MOISTURE SENSORS. CONTACT BARNES PUMPS FOR INFORMATION CONCERNING MOISTURE SENSING RELAYS FOR CUSTOMER SUPPLIED CONTROL PANELS.
- 3.) THESE PUMPS ARE CSA AND FM LISTED FOR PUMPING WATER AND WASTEWATER. **DO NOT USE TO PUMP FLAMMABLE LIQUIDS.** NOT SUITABLE FOR ENVIRONMENTS CONTAINING GASOLINE OR HEXANE.
- 4.) INSTALLATIONS SUCH AS DECORATIVE FOUNTAINS OR WATER FEATURES PROVIDED FOR VISUAL ENJOYMENT MUST BE INSTALLED IN ACCORDANCE WITH THE NATIONAL ELECTRIC CODE ANSI/NFPA 70 AND/OR THE AUTHORITY HAVING JURISDICTION. THIS PUMP IS NOT INTENDED FOR USE IN SWIMMING POOLS, RECREATIONAL WATER PARKS, OR INSTALLATIONS IN WHICH HUMAN CONTACT WITH PUMPED MEDIA IS A COMMON OCCURRENCE.
- 5.) A **NON-SPARKING** BREAKAWAY FITTING MUST BE USED TO VALIDATE THE EXPLOSION PROOF LISTING.

# Series 6XSHD

1750RPM

3" Spherical Solids Handling



www.cranepumps.com

## Solids Handling Submersible Pumps

MODEL NO	PART NO	HP	VOLT	PH	Hz	RPM (Nom)	NEMA START CODE	FULL LOAD AMPS	1.2 SERVICE FACTOR AMPS	LOCKED ROTOR AMPS	DRIVER FRAME	CORD P/N	CORD SIZE	CORD NOTES	
XSHDK Pump	6XSHDK25094	25.0	208 230	3	60	1750	G	77.8 71.4	93.4 82.3	359.0	28	130908	2/4 - 18/4	INCLUDED WITH PUMP	
	6XSHDK25044	25.0	460	3	60	1750	G	33.2	38.9	191.9	21	125499	8/4 - 18/4	SOLD SEPARATELY	
	6XSHDK25054	25.0	575	3	60	1750	G	26.6	31.1	153.5	21	125497	12/4 - 18/4	SOLD SEPARATELY	
	6XSHDK30094	30.0	208 230	3	60	1750	E	93.4 82.3	116.9 98.7	359.0	28	130908	2/4 - 18/4	INCLUDED WITH PUMP	
	6XSHDK30044	30.0	460	3	60	1750	F	38.9	45.9	191.9	21	125499	8/4 - 18/4	SOLD SEPARATELY	
	6XSHDK30054	30.0	575	3	60	1750	F	31.1	36.7	153.5	21	125499	8/4 - 18/4	SOLD SEPARATELY	
	6XSHDK40034	40.0	230	460	3	60	1750	E	106.0	126.4	486.0	28	130908	2/4 - 18/4	INCLUDED WITH PUMP
	6XSHDK40044	40.0	460	575	3	60	1750	E	53.0	63.2	243.0	28	130907	6/4 - 18/4	INCLUDED WITH PUMP
	6XSHDK40054	40.0	575	460	3	60	1750	E	42.4	50.6	194.4	28	130906	8/4 - 18/4	INCLUDED WITH PUMP
	6XSHDK50044	50.0	460	575	3	60	1750	F	67.1	79.0	339.0	28	130907	6/4 - 18/4	INCLUDED WITH PUMP
	6XSHDK50054	50.0	575	460	3	60	1750	F	53.7	63.2	271.2	28	130907	6/4 - 18/4	INCLUDED WITH PUMP
	6XSHDK60044	60.0	460	575	3	60	1750	E	79.0	95.5	339.0	28	130908	2/4 - 18/4	INCLUDED WITH PUMP
	6XSHDK60054	60.0	575	460	3	60	1750	E	63.2	76.4	271.2	28	130907	6/4 - 18/4	INCLUDED WITH PUMP

Moisture and Temperature sensor leads are integral to power cord.  
Winding Resistance 7.5% Winding resistance measured in OHMS @ 25°C (Between Lines) at motor leads. Pump rated for operation at ± 10% voltage at motor.  
Cord Suffix: XC - 30 Feet, XF - 50 Feet, XJ - 75 Feet, or XL - 100 Feet

SECTION 0.1F  
PAGE 24  
DATE 12/13



A Crane Co. Company

PUMPS & SYSTEMS

USA: (937) 778-8947 • Canada: (905) 457-6223 • International: (937) 615-3598

### Solids Handling Submersible Pumps

MODEL NO	PART NO	HP	VOLT	PH	Hz	RPM (Nom)	NEMA START CODE	FULL LOAD AMPS	1.2 SERVICE FACTOR AMPS	LOCKED ROTOR AMPS	DRIVER FRAME	CORD P/N	CORD SIZE	CORD NOTES
6XSHDK75N6	132655	7.5	208	3	60	1150	J	24.9	29.6	137.6	21	125496	12/4 - 18/4	SOLD SEPARATELY
			230					27.6	125497					
			460					13.8						
6XSHDK7556	132656	7.5	575	3	60	1150	J	9.6	11.0	55.0	21	125497	12/4 - 18/4	SOLD SEPARATELY
			208					41.0	125498					
			230					35.8	125497					
6XSHDK100N6	132657	10.0	460	3	60	1150	F	15.1	17.9	68.8	21	125497	12/4 - 18/4	SOLD SEPARATELY
			575					14.3	125497					
			208					56.8	125498					
6XSHDK150N6	132659	15.0	230	3	60	1150	H	44.1	51.4	248.6	21	125497	12/4 - 18/4	SOLD SEPARATELY
			460					25.7	125497					
			575					20.6	125497					
6XSHDK15056	132660	15.0	208	3	60	1150	H	17.6	20.6	99.4	21	125497	12/4 - 18/4	SOLD SEPARATELY
			230					71.5	130907					
			460					68.2	130907					
6XSHDK20096	132661	20.0	208	3	60	1150	H	60.3	71.5	354.0	28	130907	6/4 - 18/4	INCLUDED WITH PUMP
			230					68.2	130907					
			460					34.9	130907					
6XSHDK20046	132662	20.0	460	3	60	1150	E	28.6	34.9	248.6	21	125499	8/4 - 18/4	SOLD SEPARATELY
			575					27.9	125497					
			208					90.8	130908					
6XSHDK20056	132663	20.0	208	3	60	1150	E	22.9	27.9	99.4	21	125497	12/4 - 18/4	SOLD SEPARATELY
			230					82.6	130908					
			460					114.9	130908					
6XSHDK25096	132664	25.0	208	3	60	1150	G	75.2	90.8	354.0	28	130908	2/4 - 18/4	INCLUDED WITH PUMP
			230					82.6	130908					
			460					99.7	130908					
6XSHDK25046	132665	25.0	460	3	60	1150	G	35.4	41.3	177.0	28	130906	8/4 - 18/4	INCLUDED WITH PUMP
			575					33.0	130906					
			208					114.9	130906					
6XSHDK25056	132666	25.0	208	3	60	1150	G	28.3	33.0	141.6	28	130906	8/4 - 18/4	INCLUDED WITH PUMP
			230					99.7	130906					
			460					99.7	130906					
6XSHDK30096	132667	30.0	208	3	60	1150	E	90.8	114.9	354.0	28	130908	2/4 - 18/4	INCLUDED WITH PUMP
			230					99.7	130908					
			460					99.7	130908					
6XSHDK30046	132668	30.0	460	3	60	1150	E	41.3	49.9	177.0	28	130906	8/4 - 18/4	INCLUDED WITH PUMP
			575					39.9	130906					
			208					114.9	130906					
6XSHDK30056	132669	30.0	208	3	60	1150	E	33.0	39.9	141.6	28	130906	8/4 - 18/4	INCLUDED WITH PUMP
			230					131.8	130908					
			460					65.9	130907					
6XSHDK40036	132670	40.0	230	3	60	1150	E	110.4	131.8	476.0	28	130908	2/4 - 18/4	INCLUDED WITH PUMP
			460					65.9	130907					
			575					52.7	130906					
6XSHDK40046	132671	40.0	208	3	60	1150	E	55.2	65.9	238.0	28	130907	6/4 - 18/4	INCLUDED WITH PUMP
			230					52.7	130906					
			460					52.7	130906					
6XSHDK40056	132672	40.0	575	3	60	1150	E	44.2	52.7	190.4	28	130906	8/4 - 18/4	INCLUDED WITH PUMP
			208					52.7	130906					
			230					52.7	130906					

**XSHDK Pump**

Moisture and Temperature sensor leads are integral to power cord.  
Winding Resistance 7.5% Winding resistance measured in OHMS @ 25°C (Between Lines) at motor leads. Pump rated for operation at ± 10% voltage at motor.  
Cord Suffix: XC - 30 Feet, XF - 50 Feet, XJ - 75 Feet, XK - 75 Feet, or XL - 100 Feet

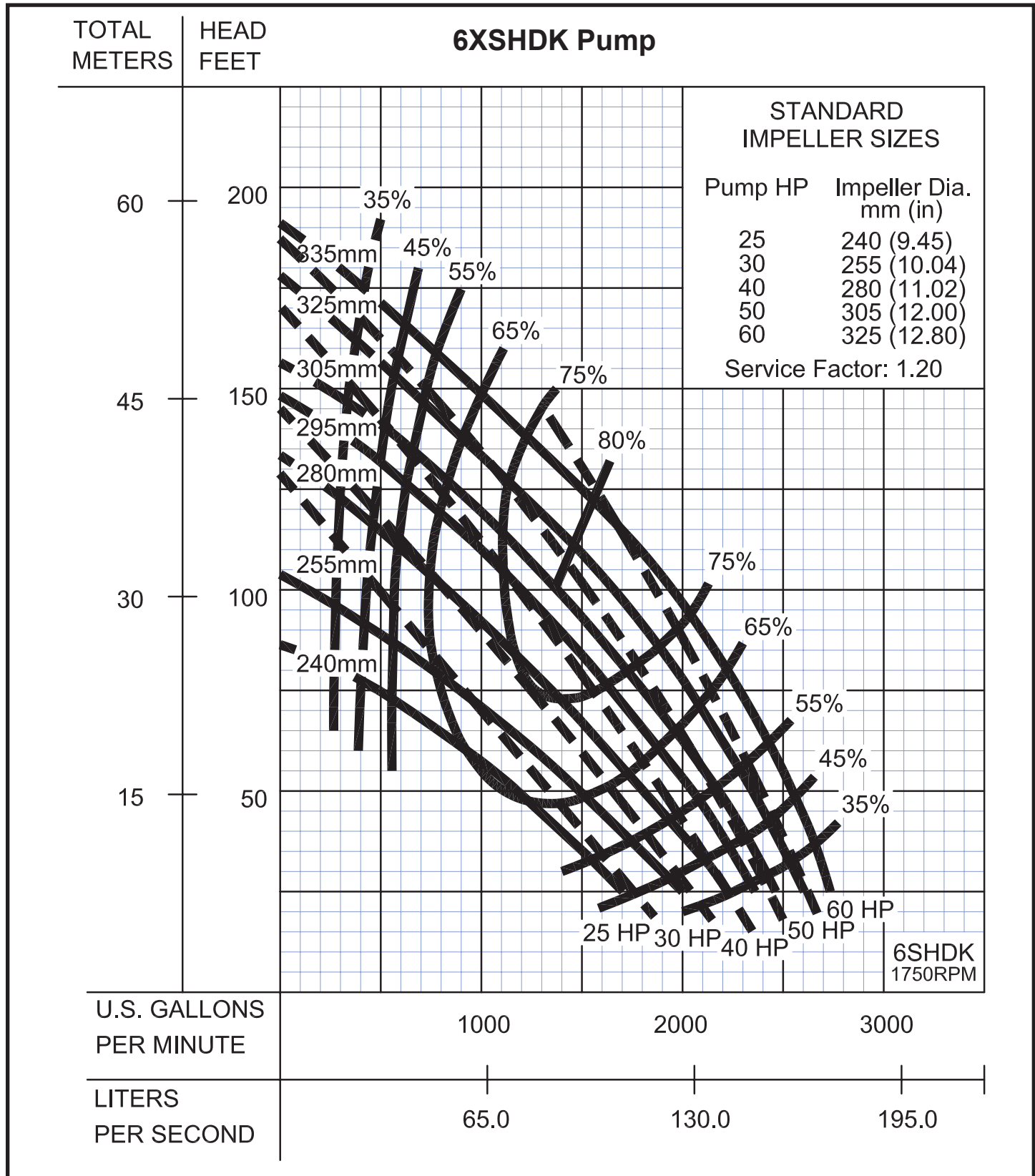
# Series 6XSHD

Performance Curve  
25 - 60HP, 1750RPM, 60Hz

# BARNES®

www.cranepumps.com

## Solids Handling Submersible Pumps



SECTION 0.1F  
PAGE 26  
DATE 2/12

**CRANE**  
A Crane Co. Company

**PUMPS & SYSTEMS**

USA: (937) 778-8947 • Canada: (905) 457-6223 • International: (937) 615-3598



### Solids Handling Submersible Pumps

