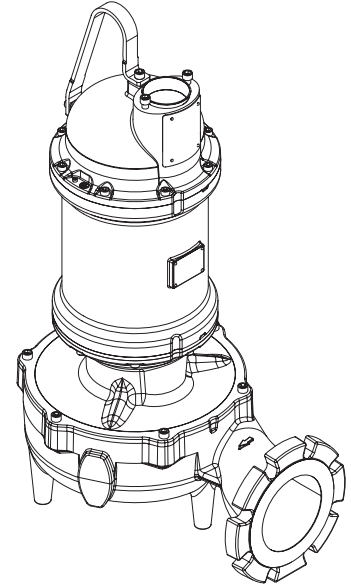


Solids Handling Submersible Pumps

Specifications:

DISCHARGE	6", 125 lb. Horizontal Flange Slotted to accommodate 150mm ISO Flanges
LIQUID TEMPERATURE	104°F (40°C) Continuous
VOLUTE	Cast Iron ASTM A-48, Class 30
MOTOR HOUSING	Cast Iron ASTM A-48, Class 30
SEAL PLATE	Cast Iron ASTM A-48, Class 30
IMPELLER:	
<i>Design</i>	Vortex, With Pump Out Vaness on Back Side. Dynamically Balanced ISO G6.3
<i>Material</i>	Ductile Iron ASTM A-536, 65-45-12
SHAFT	416 Stainless Steel
"O" RINGS	Buna-N
HARDWARE	300 Series Stainless Steel
LIFTING BAIL	300 Series Stainless Steel
PAINT	Epoxy Dupont Corlar® Amine Epoxy, Two Coats
SEAL:	
<i>Design</i>	Tandem Mechanical, Oil Filled Reservoir.
<i>Material: Inboard</i>	Rotating Faces - Carbon Stationary Faces - Ceramic
<i>Material: Outboard</i>	Rotating Faces - Silicon Carbide Stationary Faces - Silicon Carbide Elastomer - Buna-N Hardware - 300 Series Stainless
CORD ENTRY	Custom Molded, Quick Connected for Sealing and Strain Relief
POWER CORD	CSA Certified Submersible Power Cable 2000V - Ordered Separately
SPEED	1750 & 1150tRPM (Nominal)
UPPER BEARING:	
<i>Design</i>	Single Row, Ball, Oil Lubricated
<i>Load</i>	Radial
LOWER BEARING:	
<i>Design</i>	Double Row, Ball, Oil Lubricated
<i>Load</i>	Radial & Thrust
MOTOR:	
<i>Design</i>	NEMA B Three Phase Torque Curve. Oil-Filled, Squirrel Cage Induction, Inverter Duty rated per NEMA MG1
<i>Insulation</i>	Class H, Varnish & Magnet Wire
THREE PHASE	Tri-voltage 208-230/460V up to 15HP, Dual Voltage 230/460V up to 20 HP, 460V only 25 & 30 HP & 575V; 7.5 thru 30HP. Requires Overload Protection to be Included in control panel.
MOISTURE SENSOR	Normally Open (N/O), Requires Relay in Control Panel
TEMPERATURE SENSOR	Three Normally Closed (N/C). To be wired in series with contactor control circuit
OPTIONAL EQUIPMENT	Seal Material, Impeller Trims, Cord Length, Leg Kit (p/n 125506)
MARKINGS	CSA, FM
WEIGHT	588 lbs (267Kg)
NOISE EMISSION MAX	In-Air 64 dB-A
SUBMERGENCE	Max Depth 66ft (20m)
RECOMMENDED:	
<i>Accessories</i>	Break Away Fitting (BAF) Check Valve Control Panel
<i>Seal & Gasket Kit PN</i>	132120A
<i>Bearing Kit PN</i>	132118A
<i>Overhaul Kit PN</i>	132119



Series: 6XSHV
7.5 - 30HP, 1750RPM,
1150RPM, 60Hz

Explosion Proof, Class 1,
Division 1, Groups C & D, T4



Canadian Standards Association
File No. LR16567-25



This product may be covered by one
or more of the following patents and
other patent(s) pending:
US Patent 7,931,473

Sample Specifications: Section 0.1F Page F.

DESCRIPTION:

SUBMERSIBLE NON-CLOG SEWAGE
PUMP DESIGNED FOR RAW SEWAGE
APPLICATIONS.

Series 6XSHV

28 Frame Driver
3" Spherical Solids Handling

BARNES®

www.cranepumps.com

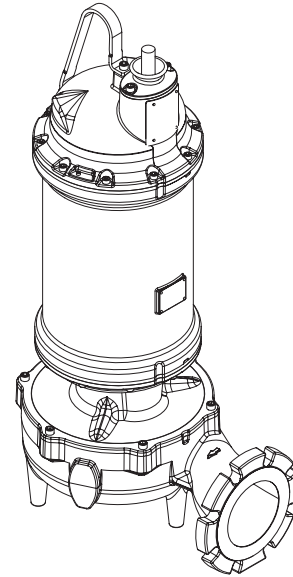
Solids Handling Submersible Pumps

Specifications:

DISCHARGE	6", 125 lb. Horizontal Flange Slotted to accommodate 150mm ISO Flanges
LIQUID TEMPERATURE	104°F (40°C) Continuous
VOLUTE	Cast Iron ASTM A-48, Class 30
WEAR RING	C954 Lead-Free Bronze
MOTOR HOUSING	Cast Iron ASTM A-48, Class 30
SEAL PLATE	Ductile Iron ASTM A-536, 65-45-12
IMPELLER:	
<i>Design</i>	Vortex, With Pump Out Vaness on Back Side. Dynamically Balanced ISO G6.3
<i>Material</i>	Ductile Iron ASTM A-536, 65-45-12
SHAFT	416 Stainless Steel
"O" RINGS	Buna-N
HARDWARE	300 Series Stainless Steel
LIFTING BAIL	300 Series Stainless Steel
PAINT	Epoxy Dupont Cortar® Amine Epoxy, Two Coats
SEAL:	
<i>Design</i>	Tandem Mechanical, Oil Filled Reservoir.
<i>Material: Inboard</i>	Rotating Faces - Carbon Stationary Faces - Ceramic
<i>Material: Outboard</i>	Rotating Faces - Silicon Carbide Stationary Faces - Silicon Carbide Elastomer - Buna-N
Hardware -	300 Series Stainless
CORD ENTRY	50 ft. (12.1m) Cord. Dual Pressure Grommet for sealing and strain relief
POWER CORD	CSA Certified Submersible Power Cable 2000V
SPEED	1750 & 1150RPM (Nominal)
UPPER BEARING:	
<i>Design</i>	Single Row, Ball, Oil Lubricated
<i>Load</i>	Radial
LOWER BEARING:	
<i>Design</i>	Double Row, Ball, Oil Lubricated
<i>Load</i>	Radial & Thrust
MOTOR:	
<i>Design</i>	NEMA B Three Phase Torque Curve. Oil-Filled, Squirrel Cage Induction, Inverter Duty rated per NEMA MG1
<i>Insulation</i>	Class H Varnish & Magnet Wire
THREE PHASE	208V 20HP, 208/230V 25 & 30HP, 230V 40HP, 460V & 575V 40 & 50HP. Requires Overload Protection to be Included in control panel.
MOISTURE SENSOR	Normally Open (N/O), Requires Relay in Control Panel
TEMPERATURE SENSOR	Three Normally Closed (N/C). To be wired in series with connector control circuit
OPTIONAL EQUIPMENT	Seal Material, Impeller Trims, Cord Length, Leg Kit (p/n 125506)
MARKINGS	CSA, FM
WEIGHT	796 lbs (361 Kg)
NOISE EMISSION MAX	In-Air 64 dB-A
SUBMERGENCE	Max Depth 66ft (20m)

RECOMMENDED:

<i>Accessories</i>	Break Away Fitting (BAF) Check Valve Control Panel
<i>Seal & Gasket Kit PN</i>	132120B
<i>Bearing Kit PN</i>	132118B
<i>Overhaul Kit PN</i>	132119



Series: 6XSHV
20 - 60HP, 1750RPM,
1150RPM, 60Hz

Explosion Proof, Class 1,
Division 1, Groups C & D, T4



Canadian Standards Association
File No. LR16567-25



Sample Specifications: Section 0.1F Page F.

DESCRIPTION:

SUBMERSIBLE NON-CLOG SEWAGE
PUMP DESIGNED FOR RAW SEWAGE
APPLICATIONS.

SECTION 0.1F
PAGE 2
DATE 2/12

CRANE®

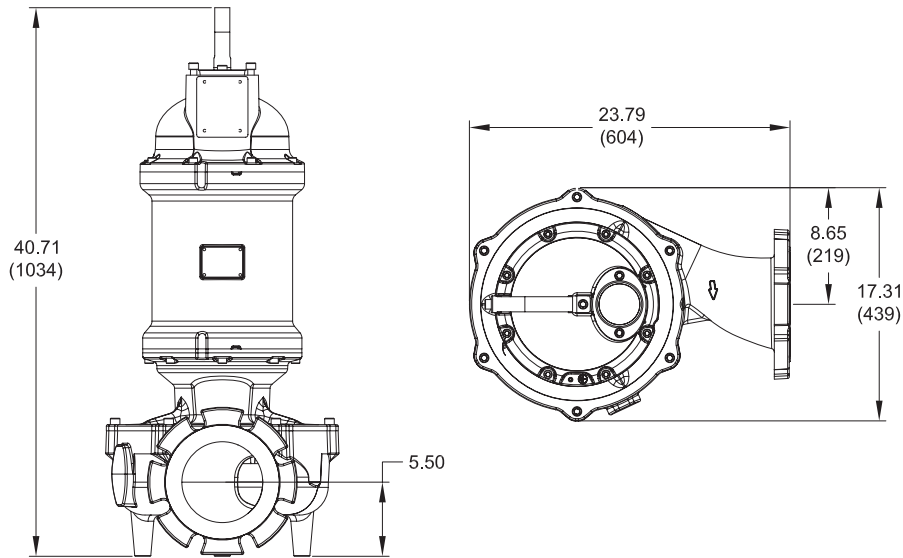
A Crane Co. Company

PUMPS & SYSTEMS

USA: (937) 778-8947 • Canada: (905) 457-6223 • International: (937) 615-3598

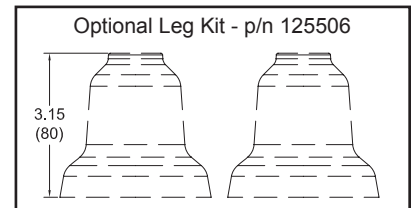
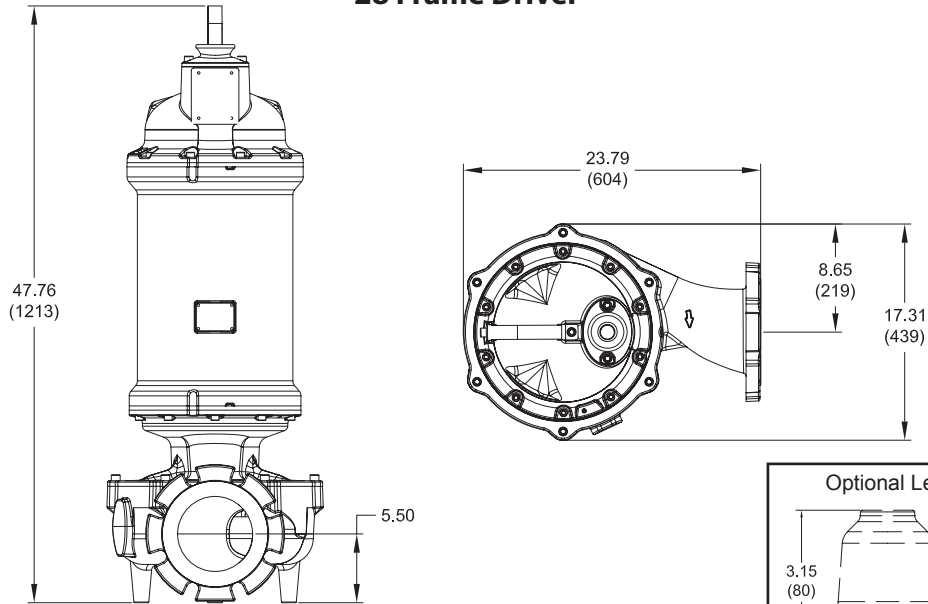
Solids Handling Submersible Pumps

21 Frame Driver



inches
(mm)

28 Frame Driver



IMPORTANT !

- 1.) MOISTURE AND TEMPERATURE SENSORS MUST BE CONNECTED TO VALIDATE THE CSA AND FM LISTING.
- 2.) A SPECIAL MOISTURE SENSOR RELAY IS REQUIRED IN THE CONTROL PANEL FOR PROPER OPERATION OF THE MOISTURE SENSORS. CONTACT BARNES PUMPS FOR INFORMATION CONCERNING MOISTURE SENSING RELAYS FOR CUSTOMER SUPPLIED CONTROL PANELS.
- 3.) THESE PUMPS ARE CSA AND FM LISTED FOR PUMPING WATER AND WASTEWATER. **DO NOT USE TO PUMP FLAMMABLE LIQUIDS.** NOT SUITABLE FOR ENVIRONMENTS CONTAINING GASOLINE OR HEXANE.
- 4.) INSTALLATIONS SUCH AS DECORATIVE FOUNTAINS OR WATER FEATURES PROVIDED FOR VISUAL ENJOYMENT MUST BE INSTALLED IN ACCORDANCE WITH THE NATIONAL ELECTRIC CODE ANSI/NFPA 70 AND/OR THE AUTHORITY HAVING JURISDICTION. THIS PUMP IS NOT INTENDED FOR USE IN SWIMMING POOLS, RECREATIONAL WATER PARKS, OR INSTALLATIONS IN WHICH HUMAN CONTACT WITH PUMPED MEDIA IS A COMMON OCCURRENCE.
- 5.) A **NON-SPARKING** BREAKAWAY FITTING MUST BE USED TO VALIDATE THE EXPLOSION PROOF LISTING.

Series 6XSHV

1750RPM

3" Spherical Solids Handling



www.cranepumps.com

Solids Handling Submersible Pumps

MODEL NO	PART NO	HP	VOLT	PH	Hz	RPM (Nom)	NEMA START CODE	FULL LOAD AMPS	1.2 SERVICE FACTOR AMPS	LOCKED ROTOR AMPS	DRIVER FRAME	CORD P/N	CORD SIZE	CORD NOTES
6XSHVL20084	132673	20.0	208	3	60	1750	G	63.0	74.6	323.0	28	130907	6/4 - 18/4	INCLUDED WITH PUMP
6XSHVL20084	132674	20.0	230	3	60	1750	J	53.7	59.0	383.9	21	125498	8/4 - 18/4	SOLD SEPARATELY
			26.9					29.9	125497			12/4 - 18/4		
6XSHVL20054	132675	20.0	575	3	60	1750	J	21.5	23.9	153.5	21	125497	12/4 - 18/4	SOLD SEPARATELY
6XSHVL25094	132676	25.0	208	3	60	1750	G	77.8	93.4	359.0	28	130908	2/4 - 18/4	INCLUDED WITH PUMP
			71.4					82.3						
6XSHVL25044	132677	25.0	460	3	60	1750	G	33.2	38.9	191.9	21	125499	8/4 - 18/4	SOLD SEPARATELY
6XSHVL25054	132678	25.0	575	3	60	1750	G	26.6	31.1	153.5	21	125497	12/4 - 18/4	SOLD SEPARATELY
6XSHVL30094	132679	30.0	208	3	60	1750	E	93.4	116.9	359.0	28	130908	2/4 - 18/4	INCLUDED WITH PUMP
			82.3					98.7						
6XSHVL30044	132680	30.0	460	3	60	1750	F	38.9	45.9	191.9	21	125499	8/4 - 18/4	SOLD SEPARATELY
6XSHVL30054	132681	30.0	575	3	60	1750	F	31.1	36.7	153.5	21	125499	8/4 - 18/4	SOLD SEPARATELY
6XSHVL40034	132682	40.0	230	3	60	1750	E	106.0	126.4	486.0	28	130908	2/4 - 18/4	INCLUDED WITH PUMP
6XSHVL40044	132683	40.0	460	3	60	1750	E	53.0	63.2	243.0	28	130907	6/4 - 18/4	INCLUDED WITH PUMP
6XSHVL40054	132684	40.0	575	3	60	1750	E	42.4	50.6	194.4	28	130906	8/4 - 18/4	INCLUDED WITH PUMP
6XSHVL50044	132685	50.0	460	3	60	1750	F	67.1	79.0	339.0	28	130907	6/4 - 18/4	INCLUDED WITH PUMP
6XSHVL50054	132686	50.0	575	3	60	1750	F	53.7	63.2	271.2	28	130907	6/4 - 18/4	INCLUDED WITH PUMP
6XSHVL60044	132687	60.0	460	3	60	1750	E	79.0	95.5	339.0	28	130908	2/4 - 18/4	INCLUDED WITH PUMP
6XSHVL60054	132688	60.0	575	3	60	1750	E	63.2	76.4	271.2	28	130907	6/4 - 18/4	INCLUDED WITH PUMP

XSHVL Pump

Moisture and Temperature sensor leads are integral to power cord.
 Winding Resistance 7.5% Winding resistance measured in OHMS @ 25°C (Between Lines) at motor leads.
 Pump rated for operation at ± 10% voltage at motor.
 Cord Suffix: XC - 30 Feet, XF - 50 Feet, XJ - 75 Feet, or XL - 100 Feet

SECTION 0.1F
 PAGE 4
 DATE 12/13



A Crane Co. Company

PUMPS & SYSTEMS

USA: (937) 778-8947 • Canada: (905) 457-6223 • International: (937) 615-3598

Solids Handling Submersible Pumps

MODEL NO	PART NO	HP	VOLT	PH	Hz	RPM (Nom)	NEMA START CODE	FULL LOAD AMPS	1.2 SERVICE FACTOR AMPS	LOCKED ROTOR AMPS	DRIVER FRAME	CORD P/N	CORD SIZE	CORD NOTES
6XSHVL75N6	132689	7.5	208	3	60	1150	J	24.9	29.6	137.6	21	125496	12/4 - 18/4	SOLD SEPARATELY
			230					27.6	68.8	125497			12/4 - 18/4	
			460					13.8	55.0	125497			12/4 - 18/4	
6XSHVL7556	132690	7.5	208	3	60	1150	J	32.9	41.0	137.6	21	125498	8/4 - 18/4	SOLD SEPARATELY
			230					35.8	68.8	125497			12/4 - 18/4	
			460					17.9	55.0	125497			12/4 - 18/4	
6XSHVL100N6	132691	10.0	208	3	60	1150	F	12.1	14.3	55.0	21	125497	12/4 - 18/4	SOLD SEPARATELY
			230					56.8	248.6	125498			8/4 - 18/4	
			460					51.4	124.3	125497			12/4 - 18/4	
6XSHVL150N6	132693	15.0	208	3	60	1150	H	17.6	20.6	99.4	21	125497	12/4 - 18/4	SOLD SEPARATELY
			230					71.5	354.0	130907			6/4 - 18/4	
			460					68.2	248.6	125499			8/4 - 18/4	
6XSHVL200N6	132695	20.0	208	3	60	1150	H	22.9	27.9	99.4	21	125497	12/4 - 18/4	SOLD SEPARATELY
			230					90.8	354.0	130908			2/4 - 18/4	
			460					82.6	177.0	130906			8/4 - 18/4	
6XSHVL250N6	132697	25.0	208	3	60	1150	G	28.3	33.0	141.6	28	130906	8/4 - 18/4	INCLUDED WITH PUMP
			230					114.9	354.0	130908			2/4 - 18/4	
			460					99.7	177.0	130906			8/4 - 18/4	
6XSHVL300N6	132701	30.0	208	3	60	1150	E	35.4	41.3	177.0	28	130906	8/4 - 18/4	INCLUDED WITH PUMP
			230					49.9	354.0	130908			2/4 - 18/4	
			460					49.9	177.0	130906			8/4 - 18/4	
6XSHVL350N6	132702	35.0	208	3	60	1150	E	33.0	39.9	141.6	28	130906	8/4 - 18/4	INCLUDED WITH PUMP
			230					131.8	476.0	130908			2/4 - 18/4	
			460					65.9	238.0	130907			6/4 - 18/4	
6XSHVL400N6	132705	40.0	208	3	60	1150	E	44.2	52.7	190.4	28	130906	8/4 - 18/4	INCLUDED WITH PUMP
			230					52.7	190.4	130906			8/4 - 18/4	
			460					52.7	190.4	130906			8/4 - 18/4	

XSHVL Pump

Moisture and Temperature sensor leads are integral to power cord.
 Winding Resistance 7.5% Winding resistance measured in OHMS @ 25°C (Between Lines) at motor leads.
 Pump rated for operation at ± 10% voltage at motor.
 Cord Suffix: XC - 30 Feet, XF - 50 Feet, XJ - 75 Feet, or XL - 100 Feet

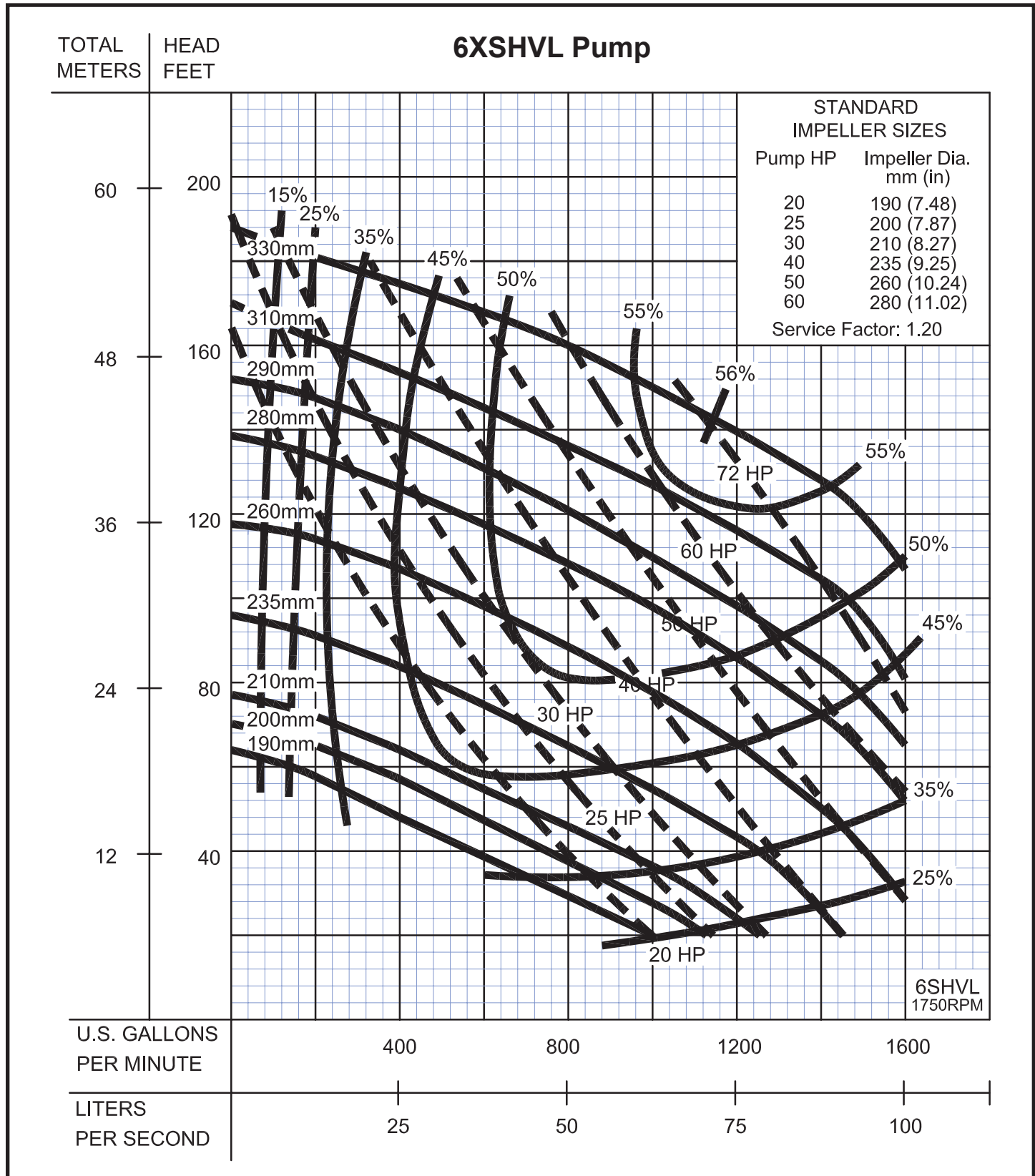
Series 6XSHV

Performance Curve
20 - 60HP, 1750RPM, 60Hz



www.cranepumps.com

Solids Handling Submersible Pumps



SECTION 0.1F
PAGE 6
DATE 2/12



A Crane Co. Company

PUMPS & SYSTEMS

USA: (937) 778-8947 • Canada: (905) 457-6223 • International: (937) 615-3598

Solids Handling Submersible Pumps

