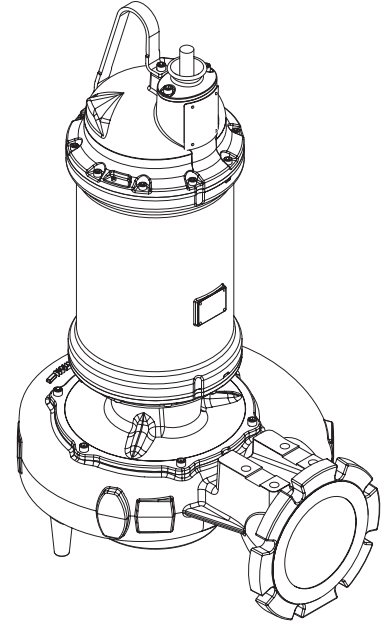


Solids Handling Submersible Pumps

Specifications:

DISCHARGE	8", 125 lb. Horizontal Flange Slotted to accommodate 200mm ISO Flanges
LIQUID TEMPERATURE	104°F (40°C) Continuous
VOLUTE	Cast Iron ASTM A-48, Class 30
WEAR RING	C954 Lead-Free Bronze
MOTOR HOUSING	Cast Iron ASTM A-48, Class 30
SEAL PLATE	Ductile Iron ASTM A-536, 65-45-12
IMPELLER:	
<i>Design</i>	Enclosed Tri Vane, With Pump Out Vaness on Back Side. Dynamically Balanced ISO G6.3
<i>Material</i>	Ductile Iron ASTM A-536, 65-45-12
SHAFT	416 Stainless Steel
"O" RINGS	Buna-N
HARDWARE	300 Series Stainless Steel
LIFTING BAIL	300 Series Stainless Steel
PAINT	Epoxy Dupont Corlar® Amine Epoxy, Two Coats
SEAL: <i>Design</i>	Tandem Mechanical, Oil Filled Reservoir.
<i>Material: Inboard</i>	Rotating Faces - Carbon Stationary Faces - Ceramic
<i>Material: Outboard</i>	Rotating Faces - Silicon Carbide Stationary Faces - Silicon Carbide Elastomer - Buna-N Hardware - 300 Series Stainless
CORD ENTRY	50 ft. (12.1m) Cord. Dual Pressure Grommet for sealing and strain relief
POWER CORD	CSA Certified Submersible Power Cable 2000V
SPEED	1150 RPM (Nominal)
UPPER BEARING:	
<i>Design</i>	Single Row, Ball, Oil Lubricated
<i>Load</i>	Radial
LOWER BEARING:	
<i>Design</i>	Double Row, Ball, Oil Lubricated
<i>Load</i>	Radial & Thrust
MOTOR: <i>Design</i>	
.....	NEMA B Three Phase Torque Curve. Oil-Filled, Squirrel Cage Induction, Inverter Duty rated per NEMA MG1
<i>Insulation</i>	Class H Varnish & Magnet Wire
THREE PHASE	208/230V 25 & 30HP, 230V 40HP, 460V & 575V, 25, 30 & 40HP. Requires Overload Protection to be Included in control panel.
MOISTURE SENSOR	Normally Open (N/O), Requires Relay in Control Panel
TEMPERATURE SENSOR	Three Normally Closed (N/C). To be wired in series with connector control circuit
OPTIONAL EQUIPMENT	Seal Material, Impeller Trims, Cord Length, Leg Kit (p/n 125506)
MARKINGS	CSA, CE
WEIGHT	926 lbs (420 Kg)
NOISE EMISSION MAX	In-Air 64 dB-A
SUBMERGENCE	Max Depth 66ft (20m)
RECOMMENDED:	
<i>Accessories</i>	Break Away Fitting (BAF) Check Valve Control Panel
<i>Seal & Gasket Kit PN</i>	132120A
<i>Bearing Kit PN</i>	132118A
<i>Overhaul Kit PN</i>	132119



Series: 8SHTM 25 - 40HP, 1150RPM, 60Hz



Canadian Standards Association
File No. LR16567-25



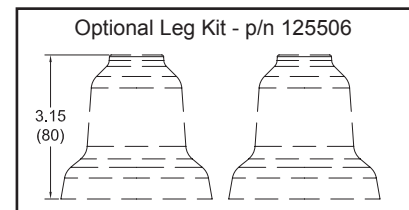
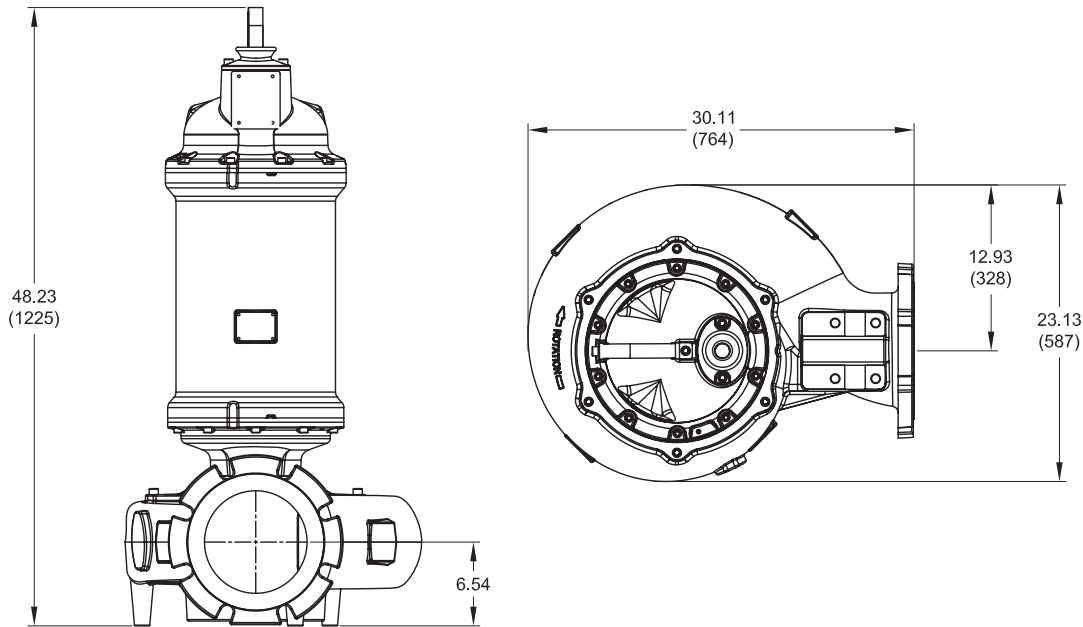
Sample Specifications: Section 0.1G Page F.

DESCRIPTION:

SUBMERSIBLE NON-CLOG SEWAGE
PUMP DESIGNED FOR RAW SEWAGE
APPLICATIONS.

Solids Handling Submersible Pumps

28 Frame Driver



IMPORTANT !

- 1.) MOISTURE AND TEMPERATURE SENSORS MUST BE CONNECTED TO VALIDATE THE CSA LISTING.
- 2.) A SPECIAL MOISTURE SENSOR RELAY IS REQUIRED IN THE CONTROL PANEL FOR PROPER OPERATION OF THE MOISTURE SENSORS. CONTACT BARNES PUMPS FOR INFORMATION CONCERNING MOISTURE SENSING RELAYS FOR CUSTOMER SUPPLIED CONTROL PANELS.
- 3.) THESE PUMPS ARE CSA LISTED FOR PUMPING WATER AND WASTEWATER. **DO NOT USE TO PUMP FLAMMABLE LIQUIDS.**
- 4.) INSTALLATIONS SUCH AS DECORATIVE FOUNTAINS OR WATER FEATURES PROVIDED FOR VISUAL ENJOYMENT MUST BE INSTALLED IN ACCORDANCE WITH THE NATIONAL ELECTRIC CODE ANSI/NFPA 70 AND/OR THE AUTHORITY HAVING JURISDICTION. THIS PUMP IS NOT INTENDED FOR USE IN SWIMMING POOLS, RECREATIONAL WATER PARKS, OR INSTALLATIONS IN WHICH HUMAN CONTACT WITH PUMPED MEDIA IS A COMMON OCCURRENCE.
- 5.) THIS PUMP IS NOT APPROPRIATE FOR THOSE APPLICATIONS SPECIFIED AS CLASS 1 DIVISION 1 HAZARDOUS LOCATIONS.

Solids Handling Submersible Pumps

MODEL NO	PART NO	HP	VOLT	PH	Hz	RPM (Nom)	NEMA START CODE	FULL LOAD AMPS	1.2 SERVICE FACTOR AMPS	LOCKED ROTOR AMPS	DRIVER FRAME	CORD P/N *	CORD SIZE	CORD NOTES
SHTM Pump	8SHTM25096	25.0	208 230	3	60	1150	G	75.2 70.5	90.8 82.6	354.0	28	130908	2/4 - 18/4	INCLUDED WITH PUMP
	8SHTM25046	25.0	460	3	60	1150	G	35.4	41.3	177.0	28	130906	8/4 - 18/4	INCLUDED WITH PUMP
	8SHTM25056	25.0	575	3	60	1150	G	28.3	33.0	141.6	28	130906	8/4 - 18/4	INCLUDED WITH PUMP
	8SHTM30096	30.0	208 230	3	60	1150	E	90.8 82.6	114.9 99.7	354.0	28	130908	2/4 - 18/4	INCLUDED WITH PUMP
	8SHTM30046	30.0	460	3	60	1150	E	41.3	49.9	177.0	28	130906	8/4 - 18/4	INCLUDED WITH PUMP
	8SHTM30056	30.0	575	3	60	1150	E	33.0	39.9	141.6	28	130906	8/4 - 18/4	INCLUDED WITH PUMP
	8SHTM40036	40.0	230	3	60	1150	E	110.4	131.8	476.0	28	130908	2/4 - 18/4	INCLUDED WITH PUMP
	8SHTM40046	40.0	460	3	60	1150	E	55.2	65.9	238.0	28	130907	6/4 - 18/4	INCLUDED WITH PUMP
	8SHTM40056	40.0	575	3	60	1150	E	44.2	52.7	190.4	28	130906	8/4 - 18/4	INCLUDED WITH PUMP

IMPORTANT !

Moisture and Temperature sensor leads are integral to power cord.
 Pump rated for operation at ± 10% voltage at motor.
 * Cord Suffix: XC - 30 Feet, XF - 50 Feet, XJ - 75 Feet, or XL - 100 Feet.

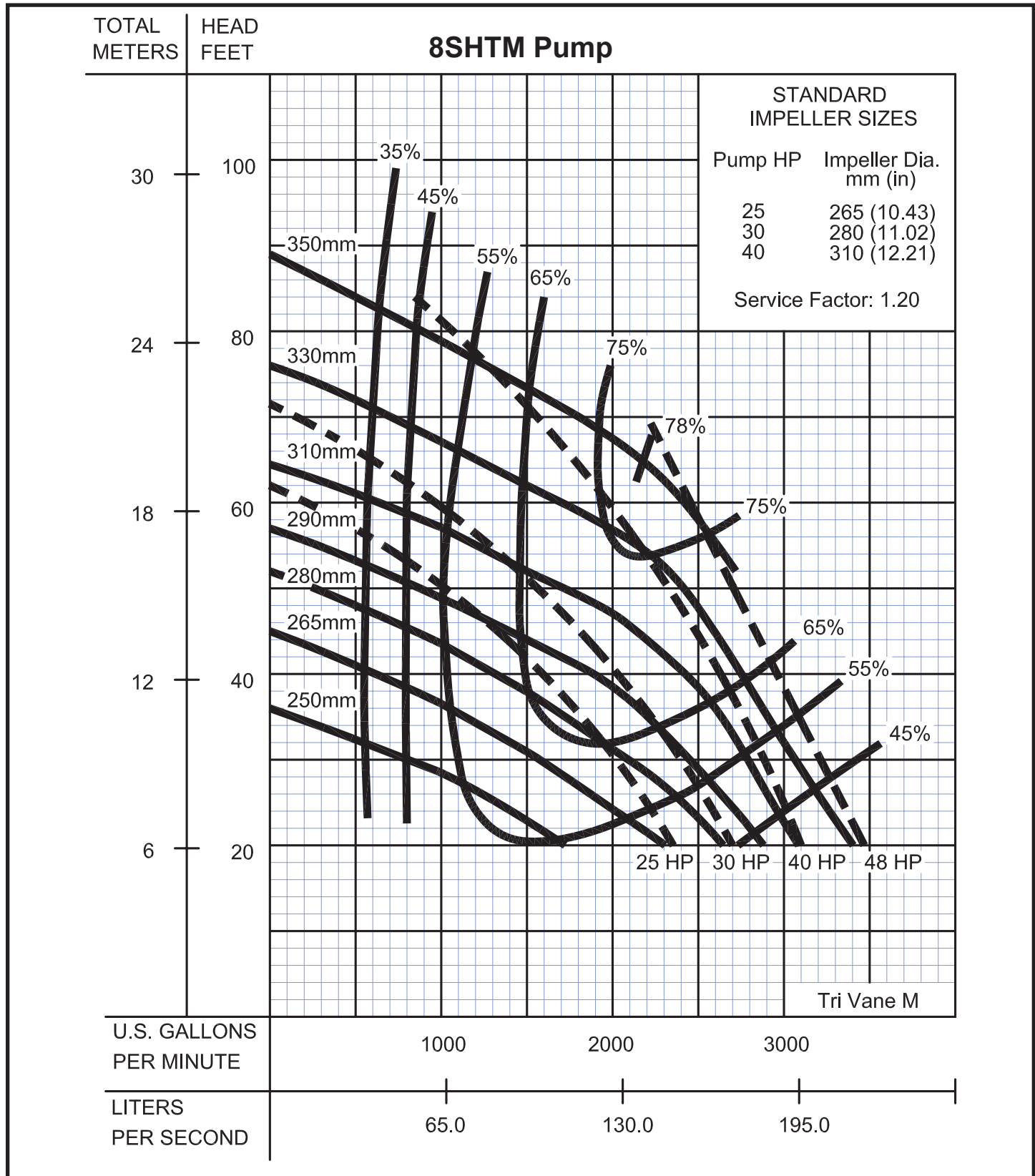
Series 8SHTM

Performance Curve
25 - 40HP, 1150RPM, 60Hz



www.cranepumps.com

Solids Handling Submersible Pumps



SECTION 0.1G
PAGE 4
DATE 2/12



A Crane Co. Company

PUMPS & SYSTEMS

USA: (937) 778-8947 • Canada: (905) 457-6223 • International: (937) 615-3598