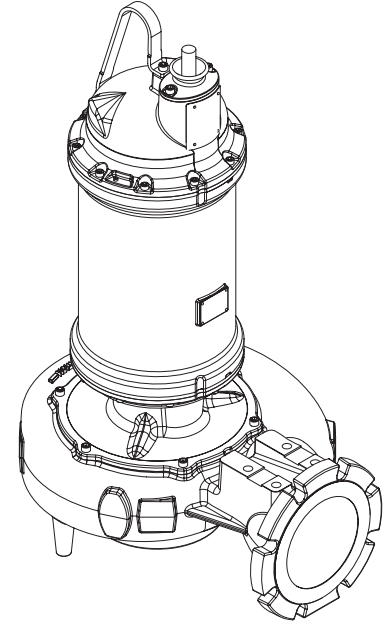


### Solids Handling Submersible Pumps

## Specifications:

<b>DISCHARGE</b> .....	8", 125 lb. Horizontal Flange Slotted to accommodate 200mm ISO Flanges
<b>LIQUID TEMPERATURE</b> .....	104°F (40°C) Continuous
<b>VOLUTE</b> .....	Cast Iron ASTM A-48, Class 30
<b>WEAR RING</b> .....	C954 Lead-Free Bronze
<b>MOTOR HOUSING</b> .....	Cast Iron ASTM A-48, Class 30
<b>SEAL PLATE</b> .....	Ductile Iron ASTM A-536, 65-45-12
<b>IMPELLER:</b>	
<i>Design</i> .....	Enclosed Tri Vane, With Pump Out Vaness on Back Side. Dynamically Balanced ISO G6.3
<i>Material</i> .....	Ductile Iron ASTM A-536, 65-45-12
<b>SHAFT</b> .....	416 Stainless Steel
<b>"O" RINGS</b> .....	Buna-N
<b>HARDWARE</b> .....	300 Series Stainless Steel
<b>LIFTING BAIL</b> .....	300 Series Stainless Steel
<b>PAINT</b> .....	Epoxy Dupont Corlar® Amine Epoxy, Two Coats
<b>SEAL:</b>	
<i>Design</i> .....	Tandem Mechanical, Oil Filled Reservoir.
<i>Material: Inboard</i> .....	Rotating Faces - Carbon Stationary Faces - Ceramic
<i>Material: Outboard</i> .....	Rotating Faces - Silicon Carbide Stationary Faces - Silicon Carbide Elastomer - Buna-N Hardware - 300 Series Stainless
<b>CORD ENTRY</b> .....	50 ft. (12.1m) Cord. Dual Pressure Grommet for sealing and strain relief
<b>POWER CORD</b> .....	CSA Certified Submersible Power Cable 2000V
<b>SPEED</b> .....	1150 RPM (Nominal)
<b>UPPER BEARING:</b>	
<i>Design</i> .....	Single Row, Ball, Oil Lubricated
<i>Load</i> .....	Radial
<b>LOWER BEARING:</b>	
<i>Design</i> .....	Double Row, Ball, Oil Lubricated
<i>Load</i> .....	Radial & Thrust
<b>MOTOR:</b>	
<i>Design</i> .....	NEMA B Three Phase Torque Curve. Oil-Filled, Squirrel Cage Induction, Inverter Duty rated per NEMA MG1
<i>Insulation</i> .....	Class H Varnish & Magnet Wire
<b>THREE PHASE</b> .....	208/230V 25 & 30HP, 230V 40HP, 460V & 575V, 25, 30 & 40HP. Requires Overload Protection to be Included in control panel.
<b>MOISTURE SENSOR</b> .....	Normally Open (N/O), Requires Relay in Control Panel
<b>TEMPERATURE SENSOR</b> .....	Three Normally Closed (N/C). To be wired in series with connector control circuit
<b>OPTIONAL EQUIPMENT</b> .....	Seal Material, Impeller Trims, Cord Length, Leg Kit (p/n 125506)
<b>MARKINGS</b> .....	CSA, FM
<b>WEIGHT</b> .....	926 lbs (420 Kg)
<b>NOISE EMISSION MAX</b> .....	In-Air 64 dB-A
<b>SUBMERGENCE</b> .....	Max Depth 66ft (20m)
<b>RECOMMENDED:</b>	
<i>Accessories</i> .....	Break Away Fitting (BAF) Check Valve Control Panel
<i>Seal &amp; Gasket Kit PN</i> .....	132120B
<i>Bearing Kit PN</i> .....	132118B
<i>Overhaul Kit PN</i> .....	132119



## Series: 8XSHTM 25 - 40HP, 1150RPM, 60Hz

### Explosion Proof, Class 1, Division 1, Groups C & D, T4



Canadian Standards Association  
File No. LR16567-25



Sample Specifications: Section 0.1H Page F.

### DESCRIPTION:

SUBMERSIBLE NON-CLOG SEWAGE  
PUMP DESIGNED FOR RAW SEWAGE  
APPLICATIONS.

# Series 8XSHTM

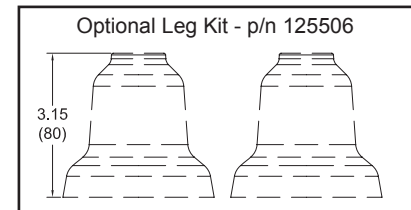
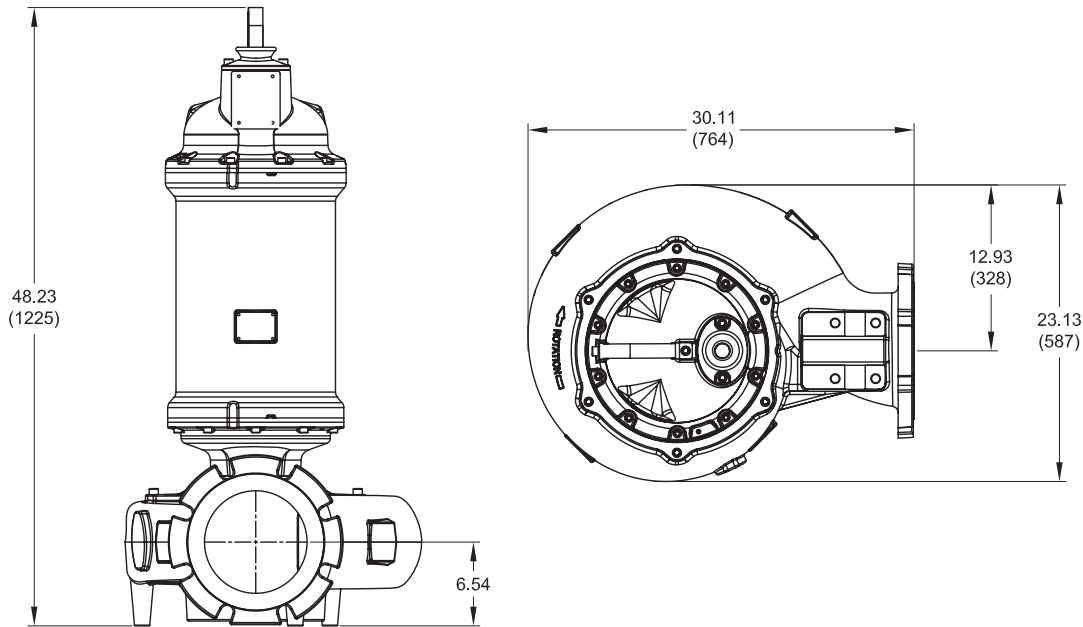
4" Spherical Solids Handling

# BARNES®

www.cranepumps.com

## Solids Handling Submersible Pumps

### 28 Frame Driver



#### IMPORTANT !

- 1.) MOISTURE AND TEMPERATURE SENSORS MUST BE CONNECTED TO VALIDATE THE CSA AND FM LISTING.
- 2.) A SPECIAL MOISTURE SENSOR RELAY IS REQUIRED IN THE CONTROL PANEL FOR PROPER OPERATION OF THE MOISTURE SENSORS. CONTACT BARNES PUMPS FOR INFORMATION CONCERNING MOISTURE SENSING RELAYS FOR CUSTOMER SUPPLIED CONTROL PANELS.
- 3.) THESE PUMPS ARE CSA AND FM LISTED FOR PUMPING WATER AND WASTEWATER. **DO NOT USE TO PUMP FLAMMABLE LIQUIDS.** NOT SUITABLE FOR ENVIRONMENTS CONTAINING GASOLINE OR HEXANE.
- 4.) INSTALLATIONS SUCH AS DECORATIVE FOUNTAINS OR WATER FEATURES PROVIDED FOR VISUAL ENJOYMENT MUST BE INSTALLED IN ACCORDANCE WITH THE NATIONAL ELECTRIC CODE ANSI/NFPA 70 AND/OR THE AUTHORITY HAVING JURISDICTION. THIS PUMP IS NOT INTENDED FOR USE IN SWIMMING POOLS, RECREATIONAL WATER PARKS, OR INSTALLATIONS IN WHICH HUMAN CONTACT WITH PUMPED MEDIA IS A COMMON OCCURRENCE.
- 5.) A **NON-SPARKING** BREAKAWAY FITTING MUST BE USED TO VALIDATE THE EXPLOSION PROOF LISTING.

SECTION 0.1H  
PAGE 2  
DATE 2/12

## CRANE®

A Crane Co. Company

## PUMPS & SYSTEMS

USA: (937) 778-8947 • Canada: (905) 457-6223 • International: (937) 615-3598

#### Solids Handling Submersible Pumps

MODEL NO	PART NO	HP	VOLT		PH	Hz	RPM (Nom)	NEMA START CODE	FULL LOAD AMPS	1-2 SERVICE FACTOR AMPS		LOCKED ROTOR AMPS	DRIVER FRAME	CORD P/N	CORD SIZE	CORD NOTES
			208	230						90.8	82.6					
8XSHTM25096	132707	25.0	208	230	3	60	1150	G	75.2	90.8	82.6	354.0	28	130908	2/4 - 18/4	INCLUDED WITH PUMP
8XSHTM25046	132708	25.0	460		3	60	1150	G	35.4	41.3		177.0	28	130906	8/4 - 18/4	INCLUDED WITH PUMP
8XSHTM25056	132709	25.0	575		3	60	1150	G	28.3	33.0		141.6	28	130906	8/4 - 18/4	INCLUDED WITH PUMP
8XSHTM30096	132710	30.0	208	230	3	60	1150	E	90.8	114.9		354.0	28	130908	2/4 - 18/4	INCLUDED WITH PUMP
8XSHTM30046	132711	30.0	460		3	60	1150	E	41.3	49.9		177.0	28	130906	8/4 - 18/4	INCLUDED WITH PUMP
8XSHTM30056	132712	30.0	575		3	60	1150	E	33.0	39.9		141.6	28	130906	8/4 - 18/4	INCLUDED WITH PUMP
8XSHTM40036	132713	40.0	230		3	60	1150	E	110.4	131.8		476.0	28	130908	2/4 - 18/4	INCLUDED WITH PUMP
8XSHTM40046	132714	40.0	460		3	60	1150	E	55.2	65.9		238.0	28	130907	6/4 - 18/4	INCLUDED WITH PUMP
8XSHTM40056	132715	40.0	575		3	60	1150	E	44.2	52.7		190.4	28	130906	8/4 - 18/4	INCLUDED WITH PUMP

**XSHTM Pump**

Moisture and Temperature sensor leads are integral to power cord.

Winding Resistance 7.5% Winding resistance measured in OHMS @ 25°C (Between Lines) at motor leads.

Pump rated for operation at ± 10% voltage at motor.

Cord Suffix: XC - 30 Feet, XF - 50 Feet, XJ - 75 Feet, or XL - 100 Feet

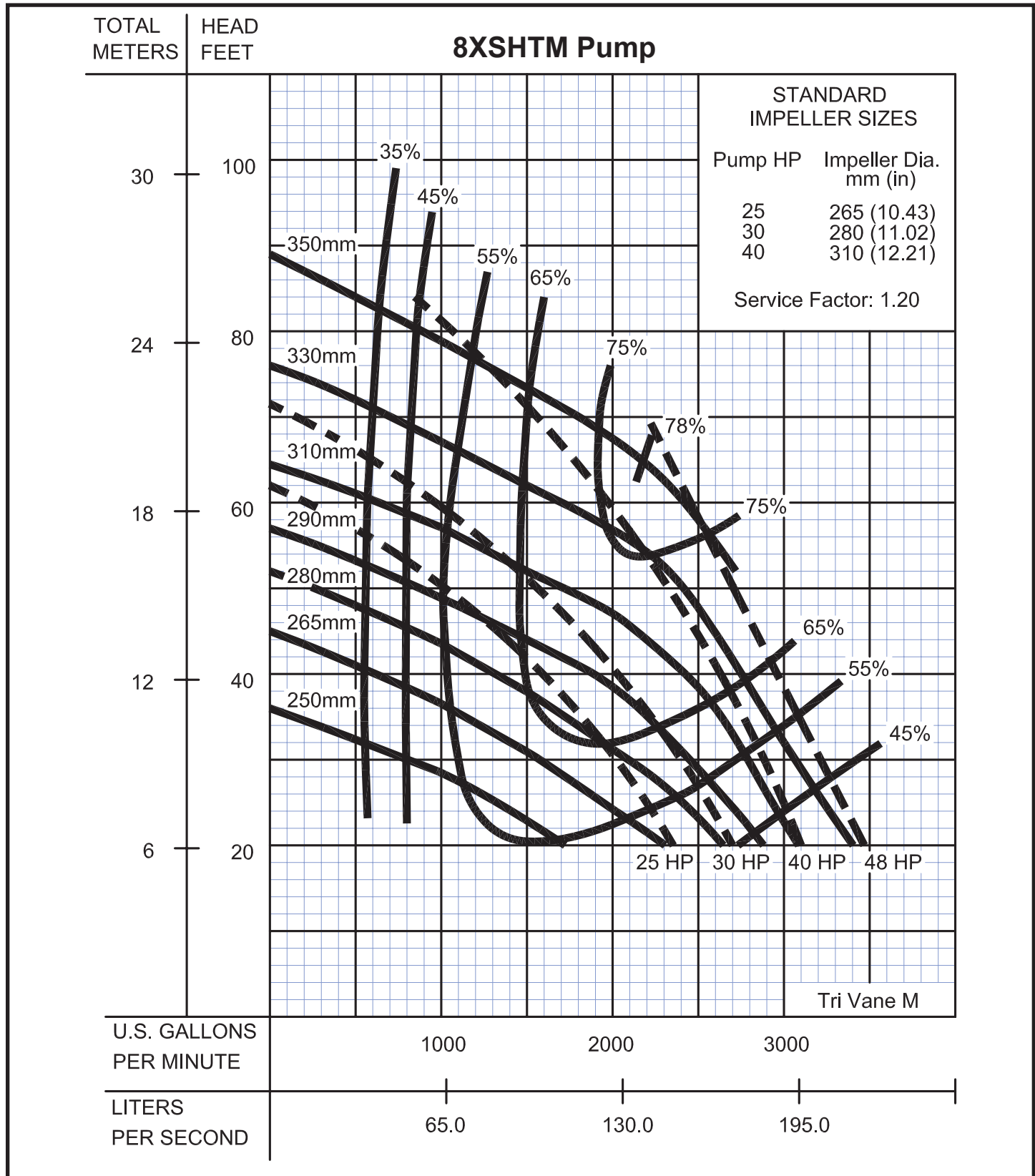
# Series 8XSHTM

Performance Curve  
25 - 40HP, 1150RPM, 60Hz



www.cranepumps.com

## Solids Handling Submersible Pumps



SECTION 0.1H  
PAGE 4  
DATE 2/12



A Crane Co. Company

### PUMPS & SYSTEMS

USA: (937) 778-8947 • Canada: (905) 457-6223 • International: (937) 615-3598