

Lovejoy **NEW** 4 Bolt Disc Coupling

Introducing The New Lovejoy 4 bolt Disc coupling

The SX-4 Type is a standard coupling with two hubs, a spacer, and two disc pack kits. The coupling has two flex planes, one at each disc pack, so it can accommodate parallel misalignment by the angular misalignment in of each disc pack. This configuration will also accommodate axial misalignment within the specified limits.

Features:

- Zero backlash
- Torsionally rigid
- No need for lubrication or maintenance
- Unitized disc pack
- Infinite life when properly sized and aligned
- Accommodates angular, axial and parallel misalignment



Applications:

- High speed packaging equipment
- Indexing machines
- Encoders
- Pumps
- Air conditioning units
- Fans

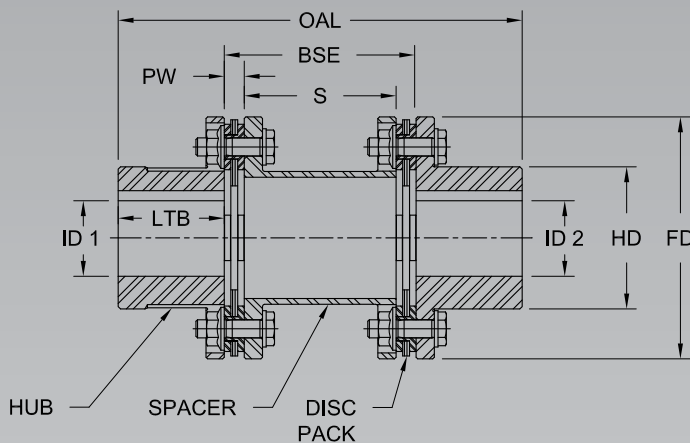
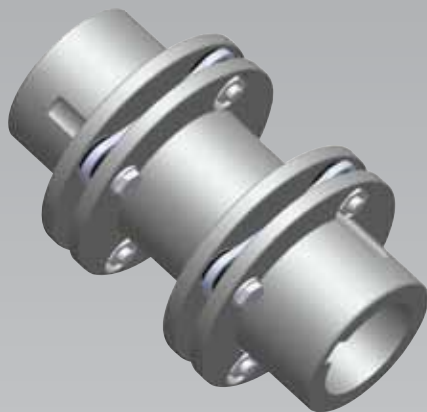


Table 1: Performance Data

Size	Nominal Torque		Peak Torque		Max Speed Unbal RPM	ID1 - ID2 Max Bore		Weight		Axial Misalignment +/- ΔKa		Max Angular Misalignment Deg
	in-lb	Nm	in-lb	Nm		in	mm	lb	kg	in	mm	
80-4	885	100	1,590	180	8,300	1.31	34	2.89	1.31	0.031	0.8	0.7°
90-4	1,590	180	2,830	320	7,500	1.56	41	4.06	1.84	0.040	1.0	0.7°
104-4	2,210	250	3,980	450	6,300	1.75	45	6.47	2.93	0.050	1.3	0.7°

Table 2: Dimensional Data

Size	OAL		BSE Standard		S		ID1 - ID2 Max Bore		PW		LTB		FD		HD	
	in	mm	in	mm	in	mm	in	mm	in	mm	in	mm	in	mm	in	mm
80-4	5.26	134	2.50	63.5	1.98	50	1.31	34	0.262	6.65	1.38	35	3.15	80	1.85	47
90-4	5.77	147	2.63	67.0	2.05	52	1.56	41	0.291	7.40	1.57	40	3.54	90	2.24	57
104-4	6.74	171	3.12	79.0	2.40	61	1.75	45	0.358	9.10	1.81	46	4.09	104	2.48	63

Table 3: Stiffness and Bolt Tightening Torque Data

Size	Torsional Stiffness		Disc Pack Bolt Tightening Torque	
	in-lbs/rad x10 ⁶	Nm/rad x10 ⁶	in-lbs	Nm
80-4	0.929	0.105	115	13
90-4	1.699	0.192	115	13
104-4	2.885	0.326	310	35

