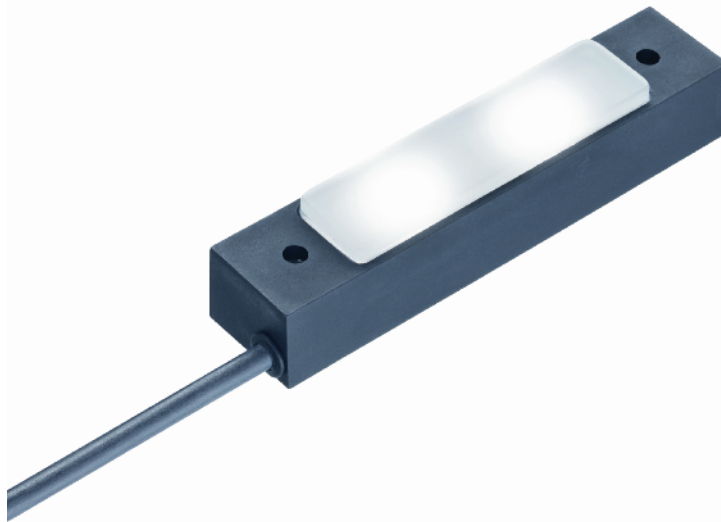


## 1MB CWW M3101-6W Longitudinal light



### Short description

Description	Unit	Value
Operating voltage	V	24/36 DC +-25%
Power consumption	W	6
Operating current	mA	250(at 24V)
LED-colour		cool white
Connection		Overmoulded industrial connector M12 with cable
Degree of protection		IP67

## 1MB CWW M3101-6W

### Longitudinal light

The LED-Longitudinal light 1MB CWW M3101-6W is a robust IP67 surface-mounted light for direct installation in machines. The illumination-geometry is diffuse.

The lamp connection is by means of a standard M12 sensor cable. The pin configuration of the M12-connector is according to the machine building standards: pin4= +24VDC, pin 3= 0V

The LED lamp can be controlled directly via PCC output as the current consumption is less than 250mA.

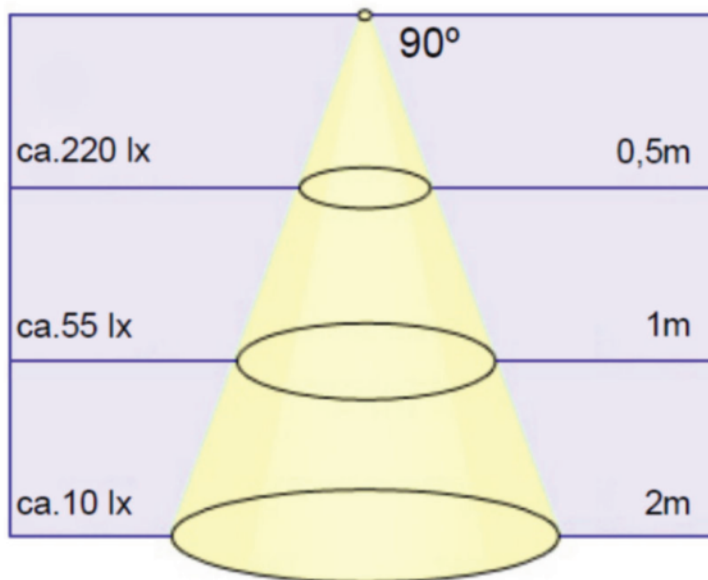
The lamp has an active temperature management to protect the LEDs. In case of excessive heat the LED current will be reduced.

The LED light is cold white.

The housing materials are suitable for applications in critical environment (e.g. coolants and lubricants).

A replacement of illuminants is not necessary. Due to high quality LED technology, the lamp achieves a life cycle of more than 50,000 operation hours.

**1MB CWW M3101-6W**  
**Longitudinal light**



**Photometric data**

Description	Unit	Value
Intensity of illumination 1	Lux/mm	approx. 220/500
Intensity of illumination 2	Lux/mm	approx. 55/1,000
Intensity of illumination 3	Lux/mm	approx. 10/2,000
Illumination-geometry		diffuse
Angle of radiation		90°
LED-colour		cool white
Color temperature	K	approx. 4,000-7,000

## 1MB CWW M3101-6W Longitudinal light

### Electrical data

Description	Unit	Value
Operating voltage	V	24/36 DC +-25%
Power consumption	W	6
Operating current	mA	250(at 24V)
Number of LED	ST	2

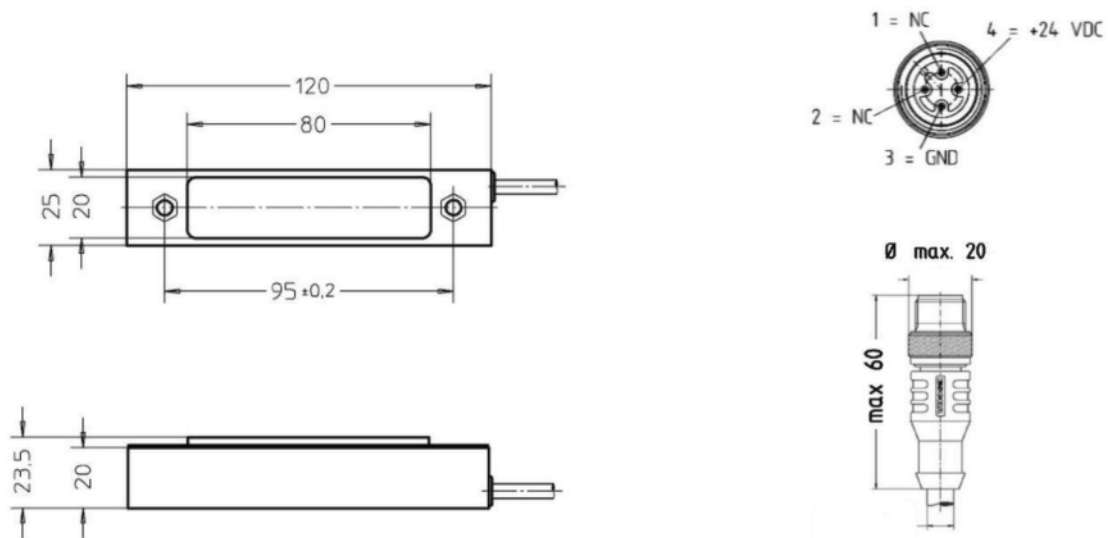
### Mechanical data

Description	Unit	Value
Housing material		PA6GF15
Front cover		-
LED-cover		double layer safety glass
Dimensions	mm	120 x 25 x 23.5
Weight	g	120
Mounting		front side
Connection		Overmoulded industrial connector M12 with cable
Degree of protection		IP67

### Environmental conditions

Description	Unit	Value
Durability	h	min. 50,000
Operating temperature	°C	-40...+50
Storage temperature	°C	-40...+85

**1MB CWW M3101-6W**  
**Longitudinal light**



**Dimensions**

Description	Unit	Value
Length	mm	120.00
Width	mm	25.00
Height	mm	23.50
Connection-line	mm	500.00