

1MF CWZ M5502-2,5W
Ball light



Short description

Description	Unit	Value
Operating voltage	V	24 at 110 DC +-25%
Power consumption	W	2.5
Operating current	mA	100(at 24V)
LED-colour		cool white
Connection		Overmoulded industrial connector M12 with cable
Degree of protection		IP67

1MF CWZ M5502-2,5W

Ball light

The LED-ball light 1MF CWZ M5502-2,5W is a robust IP67 built-in light for direct installation in machines. The illumination-geometry is diffuse.

The mounting direction is back-sided.

The lamp connection is by means of a standard M12 sensor cable. The pin configuration of the M12-connector is according to the machine building standards: pin 4= +24VDC, pin 3= 0V

The LED lamp can be controlled directly via PCC output as the current consumption is less than 100mA at 24V.

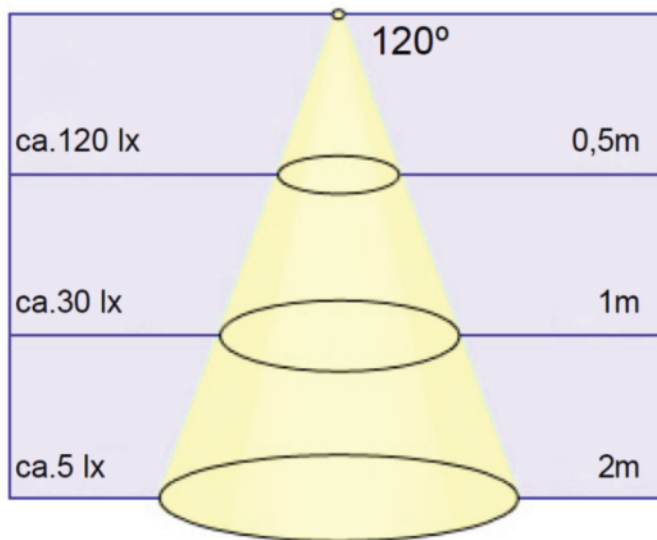
The lamp has an active temperature management to protect the LEDs. In case of excessive heat the LED current will be reduced.

The LED light is cold white.

The housing materials are suitable for applications in critical environment (e.g. coolants and lubricants).

A replacement of illuminants is not necessary. Due to high quality LED technology, the lamp achieves a life cycle of more than 50,000 operation hours.

1MF CWZ M5502-2,5W
Ball light



Photometric data

Description	Unit	Value
Intensity of illumination 1	Lux/mm	approx. 120/500
Intensity of illumination 2	Lux/mm	approx. 30/1,000
Intensity of illumination 3	Lux/mm	approx. 5/2,000
Illumination-geometry		diffuse
Angle of radiation		120°
LED-colour		cool white
Color temperature	K	approx. 6,300

1MF CWZ M5502-2,5W

Ball light

Electrical data

Description	Unit	Value
Operating voltage	V	24 to 110 DC +-25%
Power consumption	W	2.5
Operating current	mA	100(at 24V)
Number of LED	ST	3

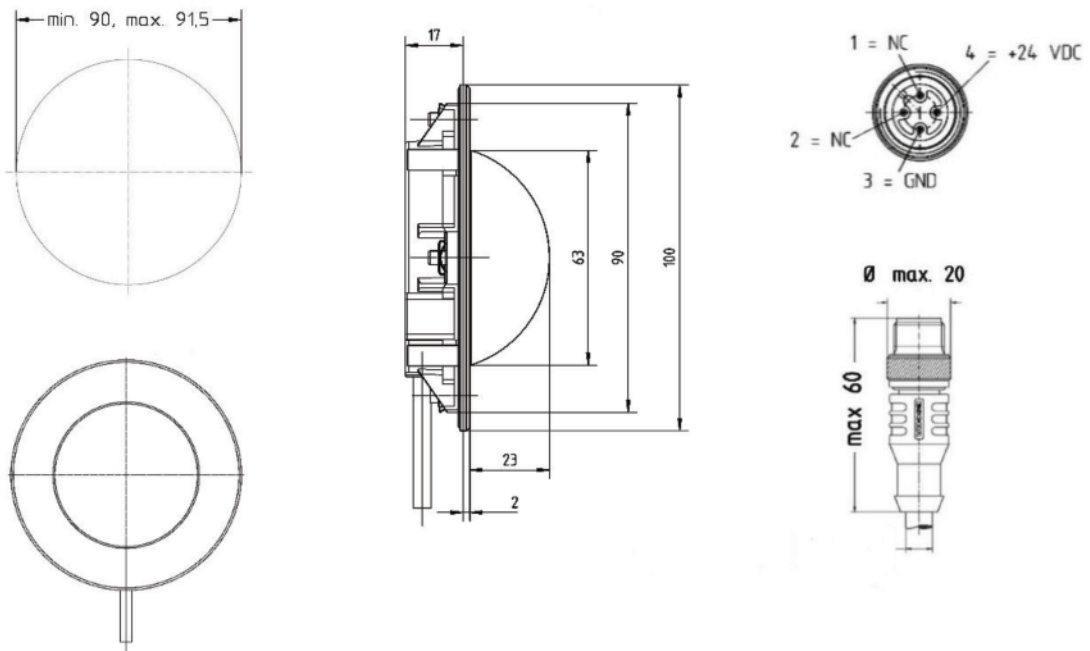
Mechanical data

Description	Unit	Value
Housing material		PA6GF15
Front cover		V2A, mat shot blasted
LED-cover		special glass, satined
Dimensions	mm	Ø 100
Weight	g	280
Mounting		back side
Connection		Overmoulded industrial connector M12 with cable
Degree of protection		IP67

Environmental conditions

Description	Unit	Value
Durability	h	min. 50,000
Operating temperature	°C	-40...+50
Storage temperature	°C	-40...+85

1MF CWZ M5502-2,5W
Ball light



Dimensions

Description	Unit	Value
Diameter	mm	100.00
Connection-line	mm	500.00