

**1SB CWZ M3301-4W**  
**Cube light**



**Short description**

Description	Unit	Value
Operating voltage	V	24/36 DC +/-25%
Power consumption	W	4
Operating current	mA	150(at 24V)
LED-colour		cool white
Connection		Industrial connector M12
Degree of protection		IP67

## 1SB CWZ M3301-4W

### Cube light

The LED-Cube light 1SB CWZ M3301-4W is a robust IP67 surface-mounted light for direct installation in machines. The illumination-geometry is diffuse.

The lamp connection is by means of a standard M12 sensor cable. The pin configuration of the M12-connector is according to the machine building standards: pin4= +24VDC, pin 3= 0V

The LED lamp can be controlled directly via PCC output as the current consumption is less than 150mA.

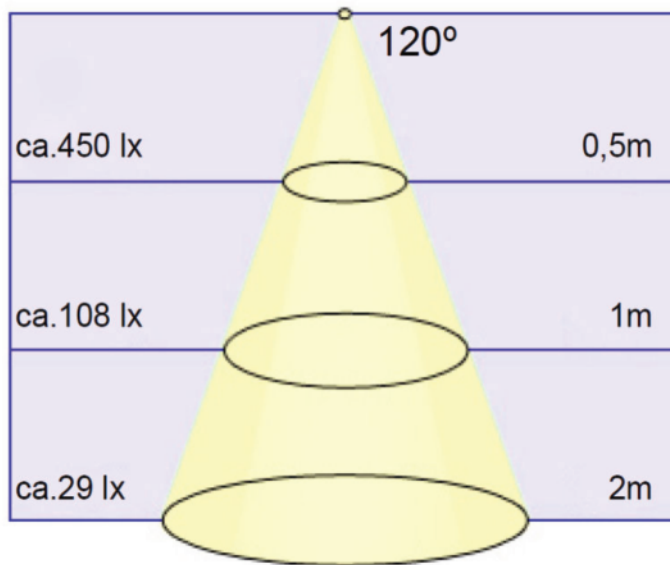
The lamp has an active temperature management to protect the LEDs. In case of excessive heat the LED current will be reduced.

The LED light is cold white.

The housing materials are suitable for applications in critical environment (e.g. coolants and lubricants).

A replacement of illuminants is not necessary. Due to high quality LED technology, the lamp achieves a life cycle of more than 50,000 operation hours.

**1SB CWZ M3301-4W**  
**Cube light**



**Photometric data**

Description	Unit	Value
Intensity of illumination 1	Lux/mm	approx. 450/500
Intensity of illumination 2	Lux/mm	approx. 108/1,000
Intensity of illumination 3	Lux/mm	approx. 29/2,000
Illumination-geometry		diffuse
Angle of radiation		120°
LED-colour		cool white
Color temperature	K	approx. 6,300

## 1SB CWZ M3301-4W Cube light

### Electrical data

Description	Unit	Value
Operating voltage	V	24/36 DC +-25%
Power consumption	W	4
Operating current	mA	150(at 24V)
Number of LED	ST	3

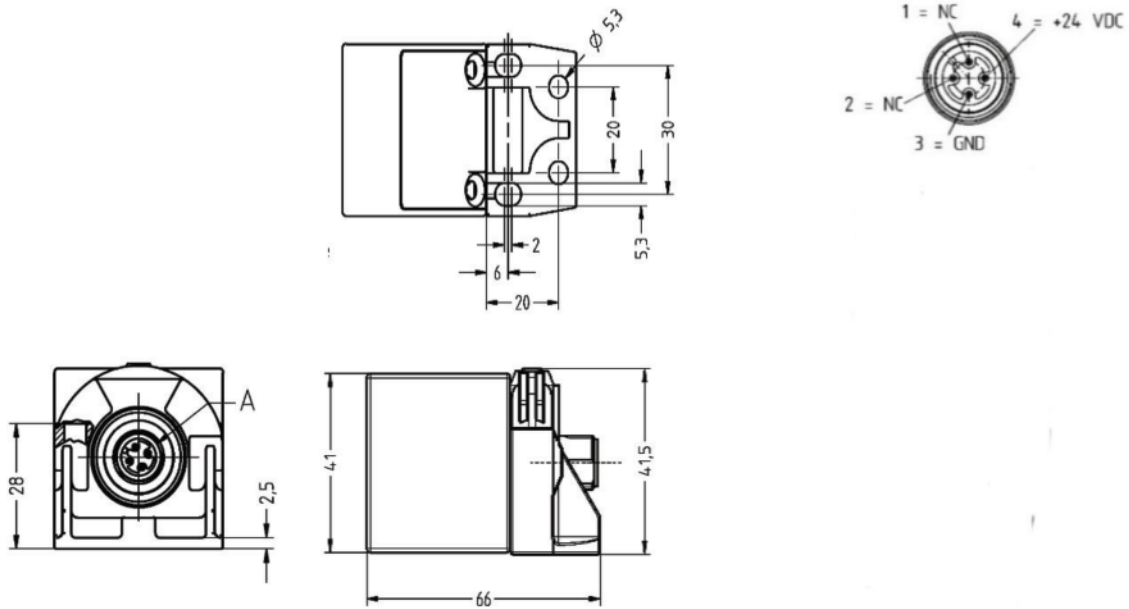
### Mechanical data

Description	Unit	Value
Housing material		Aluminium diecasting, powder-coated
Front cover		-
LED-cover		tempered safety glass
Dimensions	mm	41 x 41 x 66
Weight	g	200
Mounting		front Side
Connection		Industrial connector M12
Degree of protection		IP67

### Environmental conditions

Description	Unit	Value
Durability	h	min. 50,000
Operating temperature	°C	-40...+50
Storage temperature	°C	-40...+85

**1SB CWZ M3301-4W**  
**Cube light**



**Dimensions**

Description	Unit	Value
Length	mm	41.00
Width	mm	41.00
Height	mm	66.00