

AL101 Indoor Alarm Part No.: AL101-1-R Indoor Single Alarm

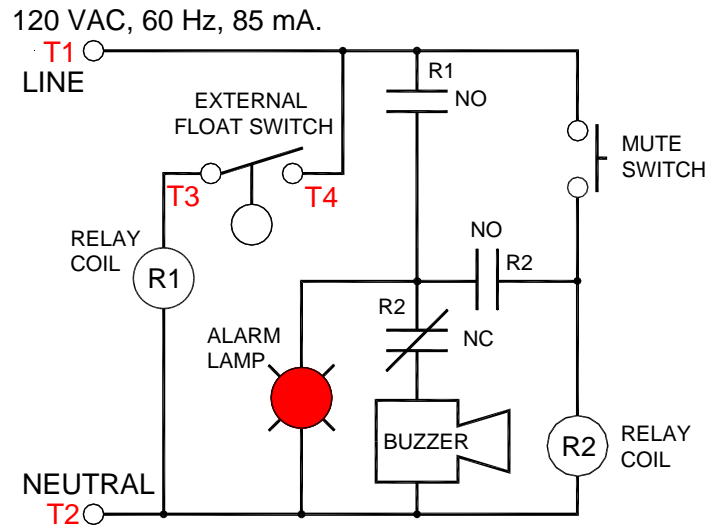
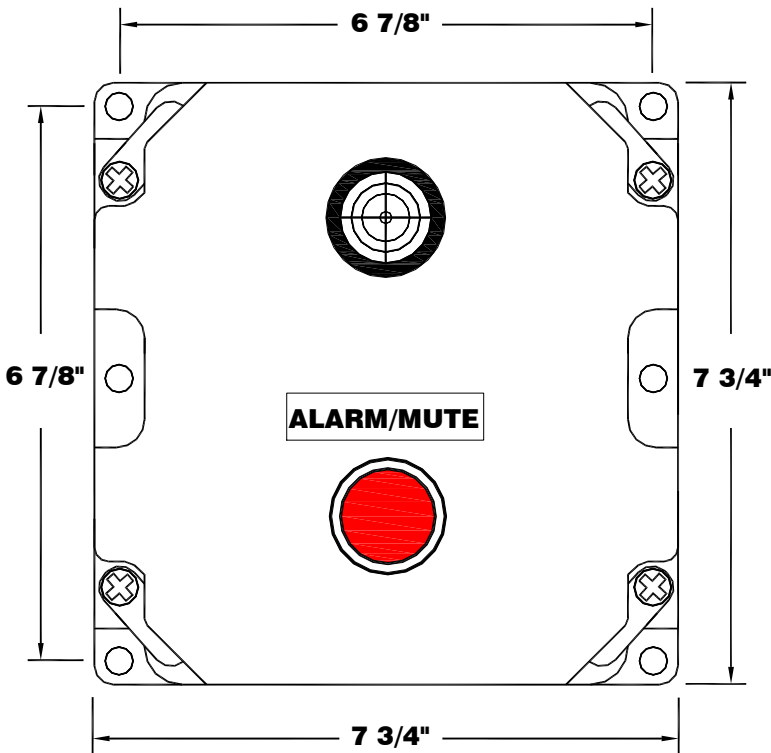
The Model AL101-1-R is an Indoor alarm that accepts a switch contact input and provides an audible alarm signal when the external contact is closed. A red lighted push-button provides the visual alarm indication. The push-button is a momentary switch that, when pressed, mutes the buzzer. The red light remains on until the alarm condition is corrected. A relay contact output is available for the input switch. The alarm circuit resets automatically. It must be mounted in a non-hazardous location. Use Ktech float switches for the alarm input contacts.

Electrical Specifications

- 120 VAC, 60 Hz, 85mA
- Switch input at terminals 4 & 5
- Relay Output at terminals 6 & 7 & 8
 - Contact rating: 10A
- Buzzer -- 95 dB @ 1 ft.



Certified to CSA C22.2 No.205 and Conforms to UL2017
CAUTION: REFER TO INSTRUCTIONS BEFORE OPERATING ALARMS



•	•	•	•	•	•	•	•
1	2	3	4	5	6	7	8
•	•	•	•	•	•	•	•

GROUND LINE NEUTRAL COM NO NC RELAY