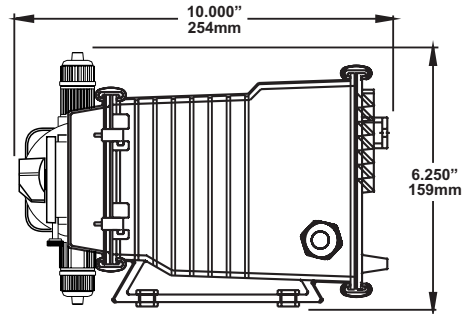
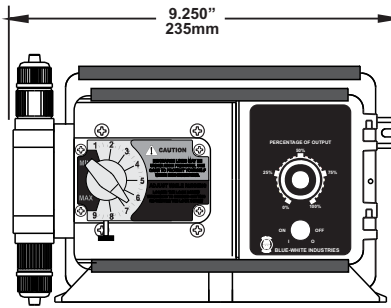
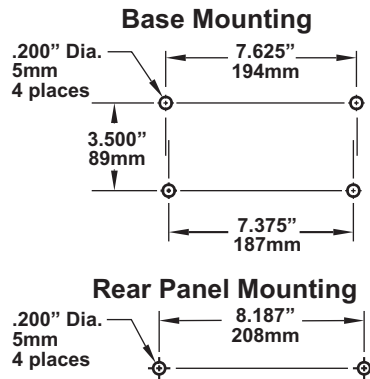


Blue-White Industries, Ltd.

CHEM-FEED[®] Diaphragm Metering Pumps

Dimensions:



Model Number Matrix:

MODEL	C	11	C								
Pump system selection C = Pump without tank system T = Pump mounted on STAR-3 tank											
Output Control V = Digital speed control with external input F = Analog speed control C = Analog timer, 5 sec. Cycle - 100% duty A = Analog timer, 60 sec. Cycle - 100% duty E = Digital batch timer with external input X = No output control - fixed feed rate											
Maximum Motor RPM 0 = 14 RPM 3 = 60 RPM 1 = 30 RPM 4 = 125 RPM 2 = 45 RPM 5 = 250 RPM											
Power Supply (motor protection) 4 = 115V60Hz (TP) 5 = 220V50Hz (TP)* 6 = 230V60Hz (TP) 7 = 240V50Hz (TP)* TP = Thermal protection											
Cam Stroke Length 1 = .125" 3 = .187" 2 = .055" 4 = .100"											
Electrical Options X = Standard Equipment A = Junction box replaces power cord P = Power cord and junction box R = 230V Power cord w/NEMA 6/15 plug Z = Proportional feed system - JBox/Cord											
Footvalve / Tank Capacity 0 = C-340 1 = C-345 2 = C-340-6T A = 7 Gallons (U.S.) B = 15 Gallons (U.S.) C = 30 Gallons (U.S.)											
Injection Fitting 0 = A-014HD (Polypropylene - 1/2 lb spring) 1 = C-395HD (Polypropylene - 6 lb spring) A = A-014-6T (Teflon - 1/2 lb spring) B = C-395-6T (Teflon - 6 lb spring) C = A-014HDK (PVDF - 1/2 lb spring) D = C-395HDK (PVDF - 6 lb spring)											
Elastomer Material V = Viton E = EP											
Diaphragm Style 0 = Large Teflon/EP 1 = Large Teflon/Viton 6 = Small Teflon / EP 7 = Small Teflon / EP											
Pump Head Style 0 = Large Diaphragm 2 = Small Diaphragm 5 = Large Pressure release 7 = Large Diaphragm w/single ball valve											
Pump Head Material 0 = Injection molded Polypropylene 4 = Machined Teflon 5 = Machined Acrylic											

Flow rate and pressure capacities:

Max Output at 0 PSI					Strokes	Max	115V/60Hz	230V/60Hz	220V/50Hz*
GPD	GPH	LPH	OZ/MIN	Per minute	PSI	Model Number	Model Number	Model Number	
57.7	2.4	9.1	5.1	60	150	C11C344X000V00	C11C364X000V00	C11C354X000V00	
119.7	4.9	18.9	10.6	125	150	C11C444X000V00	C11C464X000V00	C11C454X000V00	
155.9	6.4	24.6	13.8	125	150	C11C441X000V00	C11C461X000V00	C11C451X000V00	
260.8	10.8	41.1	23.1	250	100	C11C544X000V00	C11C564X000V00	C11C554X000V00	
360.0	15.0	56.8	32.0	250	25	C11C543X000V00	C11C563X000V00	C11C553X000V00	

Note: 50Hz units deliver 20% less output PSI

