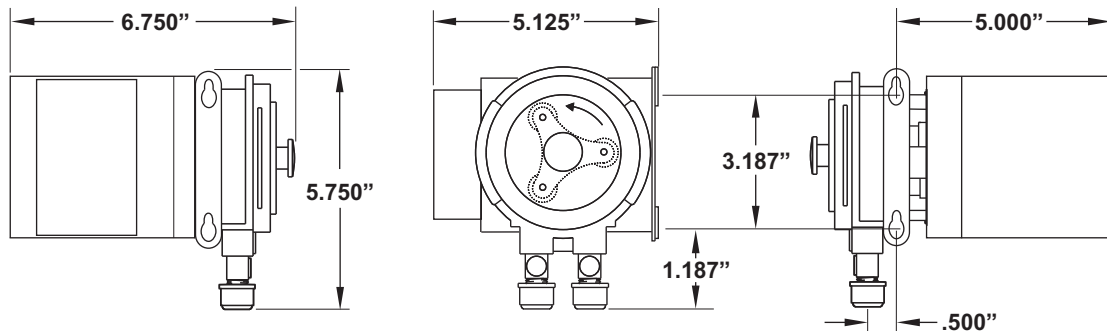


Dimensions:



Model Number Matrix:

MODEL A-16 [] - [] - []

Maximum Motor RPM

14 = 14 RPM
30 = 30 RPM
45 = 45 RPM

Pump Tube Size

3 = 3/16" OD
4 = 1/4" OD
6 = 3/8" OD
7 = 7/16" OD

Power Supply

115VAC = 115V60Hz
220VAC = 220V50Hz *
230VAC = 230V60Hz
24VAC = 24V60Hz
12VDC = 12V DC

Tubing Material

NONE = Tygon®
N = Norprene®

Maximum Flow rate and pressure capacities:

Tube no.	Tubing Material	14 RPM MODELS					30 RPM MODELS					45 RPM MODELS				
		ml/min	oz/min	gph	gpd	PSI	ml/min	oz/min	gph	gpd	PSI	ml/min	oz/min	gph	gpd	PSI
3	Tygon	3	0.1	0.04	1	25	11	0.3	0.17	4	25	14	0.4	0.22	5	25
3N	Norprene	3	0.1	0.04	1	25	11	0.3	0.17	4	25	14	0.4	0.22	5	25
4	Tygon	17	0.5	0.26	6	25	40	1.3	0.63	15	25	54	1.8	0.85	20	25
4N	Norprene	17	0.5	0.26	6	25	40	1.3	0.63	15	25	54	1.8	0.85	20	25
6	Tygon	60	2.0	0.95	22	25	130	4.4	2.05	49	25	195	6.5	3.08	74	25
6N	Norprene	49	1.6	0.77	18	25	107	3.6	1.69	40	25	160	5.4	2.53	60	25
7	Tygon	75	2.5	1.18	28	25	195	6.5	3.08	74	25	295	9.9	4.67	112	25
7N	Norprene	62	2.1	0.98	23	25	160	5.4	2.53	60	25	242	8.2	3.83	92	25

NOTE: 50Hz units deliver 20% less output.

Replacement Pump Tubes:

Pump Model Number Suffix	Pump Tube Part Number	Pump Tube Material	Nominal Pump Tube OD
-3	A-002-3	Tygon	3/16"
-3N	A-002-3N	Norprene	3/16"
-4	A-002-4	Tygon	1/4"
-4N	A-002-4N	Norprene	1/4"
-6	A-002-6	Tygon	3/8"
-6N	A-002-6N	Norprene	3/8"
-7	A-002-7	Tygon	7/16"
-7N	A-002-7N	Norprene	7/16"