

C-1100 STAR III TANK

7, 15, 30 GALLON
Heavy Duty 0.30" wall



Features:

- Extra heavy 0.30" thick wall polyethylene with UV inhibitors.
- Ships complete with the C-1100 pump model of your choice.
- 3 tank capacities to choose from: 7, 15, and 30 gallons.
- Molded-in threaded inserts and raised shelf for sturdy pump mounting.
- Lid positions include open, closed and vent.
- All necessary accessories are included.
- Convenient space saving rectangular shape.
- Raised off the floor for easy wash down.

Specifications:

Material:LLDPE
Capacity:7, 15, or 30 U.S. Gallons
Max. fluid temperature:130° F (54° C)
Max. ambient temperature: ..14° to 110° F/ -10° to 43° C
Approximate shipping wt: ...(includes C-1100V pump)
7 gallon units = 26 lb. (11.8 kg)
15 gallon units = 34 lb. (15.4 kg)
30 gallon units = 40 lb. (18.1 kg)

Materials of Construction:

Tank system only:

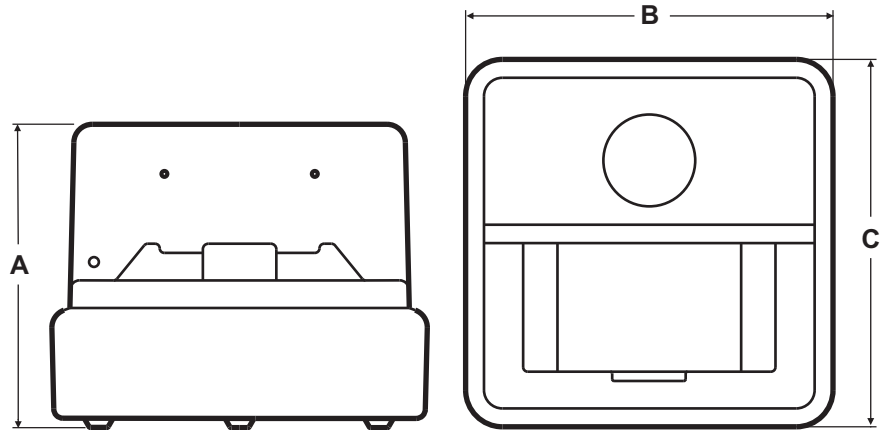
Tank:Natural Polyethylene (LLDPE)
Suction Strainer assembly:
Tubing:Clear PVC
Weight:Ceramic
Footvalve adapter & body: PVDF
Strainer screen:Polypropylene
Check Ball:Ceramic
Spring:Hastelloy C-276
Ball Seat O-ring:TFE/P (optional EP)
Static Seal O-ring:Viton[®] (optional EP)Natural
Lid:Polypropylene
Lid fasteners:Polypropylene

Blue-White Industries, Ltd.

CHEM-FEED® Diaphragm Metering Pumps

Dimensions:

	DIM 'A'	DIM 'B'	DIM 'C'	TANK SHIP WT.
7 GALLON TANK	20.00 (30)	18.50 (47)	18.50 (47)	14 LB. (6.3 Kg)
15 GALLON TANK	17.25 (44)	20.00 (51)	20.00 (51)	22 LB. (10 Kg)
30 GALLON TANK	27.50 (69)	20.00 (51)	20.00 (51)	28 LB. (12.7 Kg)



DIMENSIONS = INCH (CM)

Complete System Model Number Matrix:

MODEL T11

Output Control

V = Digital speed control with external input
 F = Analog speed control
 C = Analog timer, 5 sec. Cycle - 100% duty
 A = Analog timer, 60 sec. Cycle - 100% duty
 E = Digital batch timer with external input
 X = No output control - fixed feed rate

Maximum Motor RPM

0 = 14 RPM 3 = 60 RPM
 1 = 30 RPM 4 = 125 RPM
 2 = 45 RPM 5 = 250 RPM

Power Supply (motor protection)

4 = 115V60Hz (TP)
 5 = 220V50Hz (TP)
 6 = 230V60Hz (TP)
 7 = 240V50Hz (TP)
 TP = Thermal protection

Cam Stroke Length

1 = .125" 3 = .187"
 2 = .055" 4 = .100"

Electrical Options

X = Standard Equipment
 A = Junction box replaces power cord
 P = Power cord and junction box
 R = 230V Power cord w/NEMA 6/15 plug
 Z = Proportional feed system - JBox/Cord

Tank Capacity

A = 7 Gallons (U.S.)
 B = 15 Gallons (U.S.)
 C = 30 Gallons (U.S.)

Injection Fitting

0 = A-014N (Polypropylene - ½ lb spring)
 1 = C-395N (Polypropylene - 6 lb spring)
 A = A-014-6T (Teflon - ½ lb spring)
 B = C-395-6T (Teflon - 6 lb spring)
 C = A-014NK (PVDF - ½ lb spring)
 D = C-395NK (PVDF - 6 lb spring)

Elastomer Material

V = Viton E = EP

Diaphragm Style

0 = Large Teflon/EP
 1 = Large Teflon/Viton
 6 = Small Teflon / EP
 7 = Small Teflon / EP

Pump Head Style

0 = Large Diaphragm
 2 = Small Diaphragm
 5 = Large Pressure release
 7 = Large Diaphragm w/single ball valve

Pump Head Material

0 = Injection molded PVDF
 4 = Machined Teflon
 5 = Machined Acrylic

Tank Only Model Number:

STAR3-7 = 7 gallon tank only
 STAR3-15 = 15 gallon tank only
 STAR3-30 = 30 gallon tank only