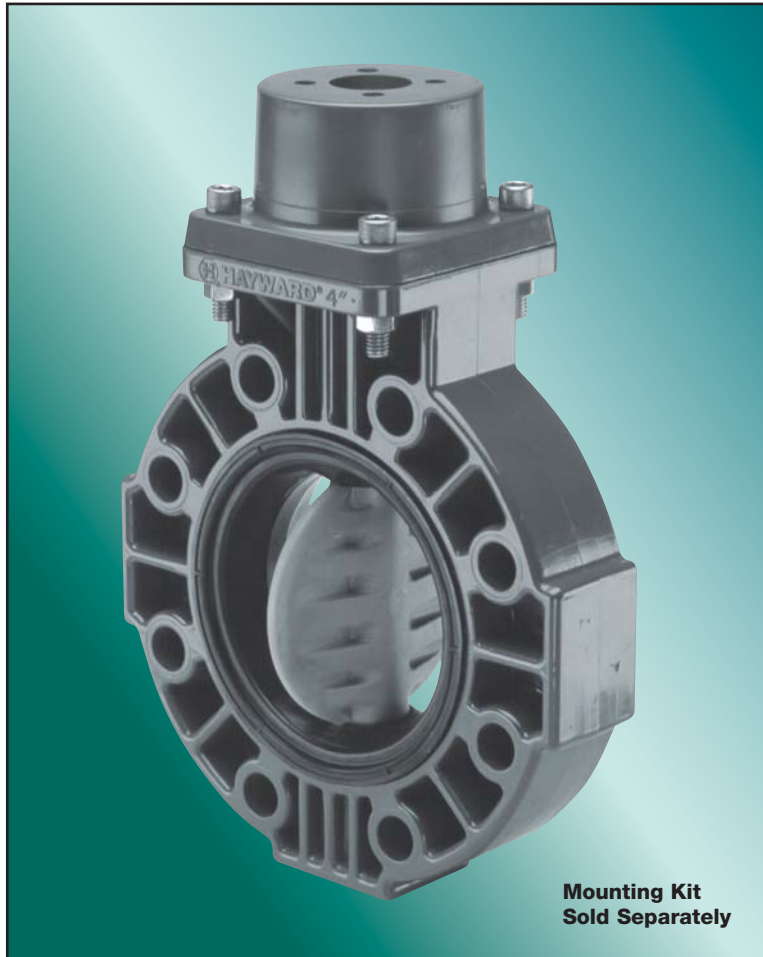


Butterfly Valves for Actuation

1-1/2" to 8" PVC Bodies with PVC, PPL or PVDF Disks

1-1/2" to 8" CPVC Bodies with CPVC Disks

1-1/2" to 24" PPL Bodies with PPL Disks



Features

- Viton®, EPDM or Nitrile Seals
- Rated to a Full 150 PSI
- Blowout-Proof Stem
- Wafer Body Design
- Stainless Steel Shafts

Viton® is trademark of DuPont Dow Elastomers

Options

- Electric Actuators
- Pneumatic Actuators
- Stem Extensions
- Titanium Shafts
- Lug Design Bodies
- Mounting Kits

Remote Control Valves

Hayward Modular Series Butterfly Valves, designed for actuator mounting, are ideal for reliable control of process fluids in a piping system. They enable all Hayward actuators and accessories to be mounted quickly with accurate alignment and proper support. They work equally well in both on/off and modulating services.

Advanced Design

These valves have blowout-proof stainless steel stems and a unique liner with a "V" notch retention design that ensures positive sealing of the liner to the disk. An integral face seal eliminates the need for additional flange mounting gaskets. The rock solid, integrally molded mounting pad insures that the actuator aligns correctly to the valve stem and functions reliably.

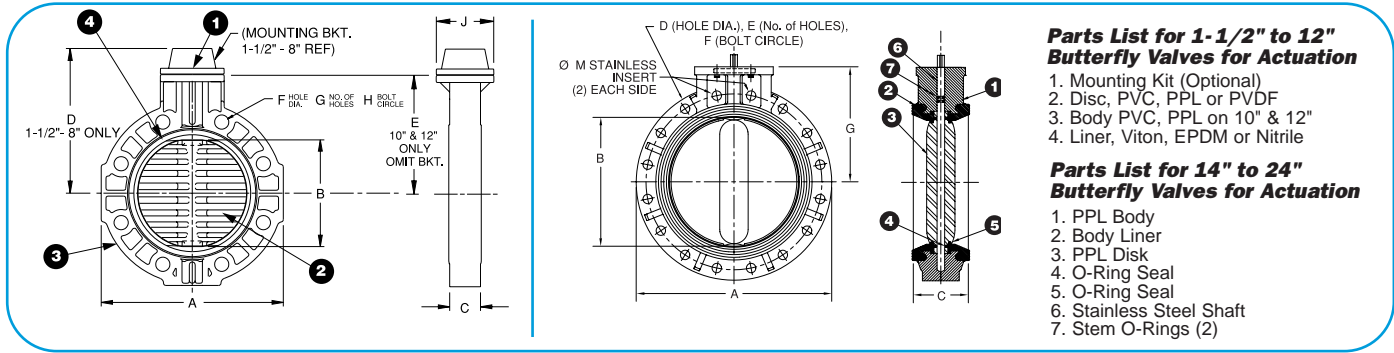
No Metal, No Process Media Contamination

Hayward Butterfly Valves for Actuation have no metal in contact with the process media. They cannot corrode or rust, nor will they contaminate sensitive fluids flowing through them.

Never a Problem with Valve Corrosion

Because of the valves' all-plastic construction, they will never rust or corrode – and they can survive corrosive environments without the need for painting or expensive epoxy coating.

Technical Information



Dimensions - Inches / Millimeters

Size	A	B	C	D	E (Lug Thd)	F	G	H	J	Weight (lb / kg)
1-1/2 / 50 & 2 / 63	6.00 / 152	1.75 / 44	1.50 / 38	6.25 / 159	.63-11UNC	.63 / .75 16 / 19	4	3.88 / 4.75 99 / 121	4.38 / 111	3.40 / 1.5
3 / 90	7.75 / 197	3.12 / 79	2.00 / 51	7.12 / 181	.63-11UNC	.75 / 19	4	6.00 / 152	4.38 / 111	4.50 / 2.0
4 / 110	9.25 / 235	3.94 / 100	2.19 / 56	8.19 / 208	.63-11UNC	.75 / 19	8	7.50 / 191	4.38 / 111	7.20 / 3.3
6 / 160	11.25 / 286	5.81 / 148	2.31 / 59	9.75 / 248	.75-10 UNC	.87 / 22	8	9.50 / 241	5.75 / 146	11.2 / 5.1
8 / 225	13.75 / 349	7.75 / 197	2.50 / 64	10.88 / 276	.75-10 UNC	.87 / 22	8	11.75 / 298	5.75 / 146	16.3 / 7.4
10 / 280	16.00 / 406	9.76 / 248	3.00 / 76	10.88 / 276	.88-9 UNC	1.00 / 25	12	14.25 / 362	6.00 / 152	37.0 / 16.8
12 / 315	19.00 / 483	11.50 / 292	3.18 / 81	12.38 / 314	.88-9 UNC	1.00 / 25	12	17.00 / 432	6.00 / 152	49.0 / 22.3
14	20.47 / 520	14.09 / 358	5.20 / 132	12.65 / 321	1.00-8 UNC	1.09 / 28	12	18.75 / 475	8.03 / 204	114 / 52
16	23.62 / 600	15.69 / 400	6.65 / 170	14.25 / 362	1.00-8 UNC	1.09 / 28	16	21.25 / 540	10.83 / 275	206 / 94
18	25.20 / 640	17.75 / 450	7.13 / 180	14.63 / 372	1.13-7 UNC	1.26 / 32	16	22.75 / 578	7.80 / 198	225 / 103
20	28.00 / 711	19.70 / 500	7.48 / 190	16.25 / 413	1.13-7 UNC	1.26 / 32	20	25.00 / 635	11.30 / 287	254 / 116
24	32.00 / 813	23.66 / 600	8.23 / 210	18.88 / 480	1.25-7 UNC	1.38 / 35	20	29.50 / 750	13.40 / 340	350 / 160

Selection Chart

Size	Body Material	Disc Material	Shaft Material	Liner	Operator	Pressure Rating
1-1/2" to 8"	CPVC	CPVC	316 SSTL	Viton®, EPDM or Nitrile	Electric or Pneumatic Actuator	150 PSI @70F Non-Shock
1-1/2" to 8"	PVC	PVC, PPL or PVDF				
1-1/2" to 12"	PPL	PPL				
14" to 24"	PPL	PPL	410 SSTL			See Chart Below

Cv Factors

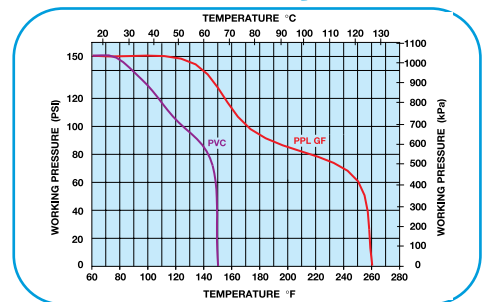
Size	Value	Size	Value
1-1/2"	90	12"	7100
2"	125	14"	7200
3"	280	16"	8300
4"	575	18"	10900
6"	1100	20"	14100
8"	2500	24"	18500
10"	4700		

Pressure Loss Calculation Formula

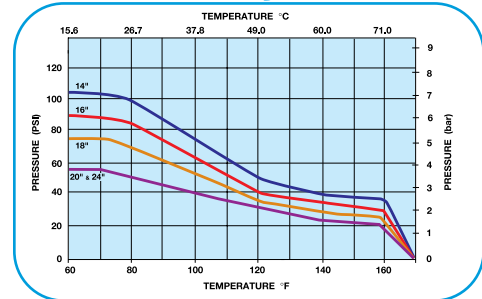
$$\Delta P = \left[\frac{Q}{Cv} \right]^2$$

ΔP = Pressure Drop
Q = Flow in GPM
Cv = Flow Coefficient

Operating Temperature/Pressure 1-1/2" - 12" Butterfly Valves



Operating Temperature/Pressure 14" - 24" Butterfly Valves



Hayward Industrial Products, Inc.

One Hayward Industrial Drive, Clemmons, NC 27012
Tel: 1-888-429-4635 (1-888-HAYINDL) • Fax: 1-888-778-8410
E-mail: industrial@haywardnet.com
Web Site: http://www.haywardindustrial.com

Hayward Industrial Products (UK) Ltd.

Unit 2, Crowgate, Wyncolls Road
Colchester, Essex C04 9HZ
Tel: +44 (0) 1206 854454 • Fax: +44 (0) 1206 851240