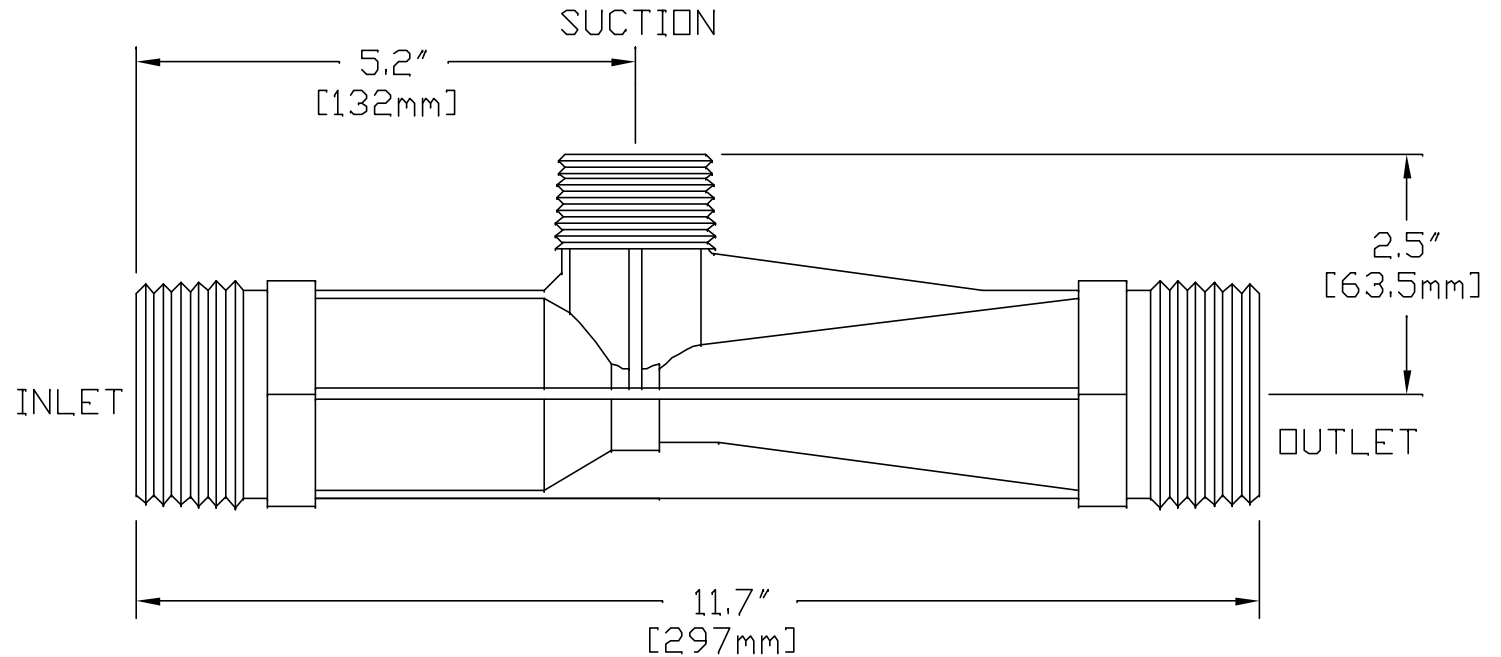


NOTES:

1. INLET AND OUTLET: 2" MNPT OR BSPT (ISO-R)
2. SUCTION PORT: 1.25" MNPT OR BSPT (ISO-R)
3. MATERIAL: GLASS REINFORCED POLYPROPYLENE OR PVDF (KYNAR)
4. MAXIMUM TEMPERATURE RATING:
 POLYPROPYLENE: 150 F. (65.5 C.)
 PVDF (KYNAR): 200 F. (93.3 C.)
5. MAXIMUM PRESSURE RATING AT 68 F. (20 C.)
 POLYPROPYLENE: 150 PSIG (10.3 BAR)
 PVDF (KYNAR): 200 PSIG (13.8 BAR)



Covered By United States Patent No. 5,863,128
 International Patents Pending



DATE	12-19-00	TITLE	
DRAWN BY	JRM	MODEL 2081-A INJECTOR	
REVIEWED BY	RST	NUMBER	SIZE
SCALE	NONE	JRM-22	
MATERIALS: SEE NOTES		PAGE (1) OF (1)	

Mazzei Injector Corporation - Injector Performance Table							
Injector Model				2081			
Operating Pressure PSIG		Water Suction		Operating Pressure PSIG		Water Suction	
Injector Inlet	Injector Outlet	Motive Flow GPM	Water Suction GPH	Injector Inlet	Injector Outlet	Motive Flow GPM	Water Suction GPH
5	0	34	630	60	0	119	631
	1		630		5		631
	2		630		10		631
	3		215		15		631
	4		136		20		631
10	0	48	630		30		600
	2		630		35		509
	5		468		40		381
	7		149		45		217
	8		30		0		631
15	0	59	631	70	5	128	631
	5		623		10		631
	7		576		15		631
	10		213		20		631
	12		77		30		631
20	0	68	631		40		529
	5		631		45		440
	10		468		50		326
	12		299		55		142
	15		152		0		631
25	0	77	631	80	5	137	631
	5		631		10		631
	10		627		15		631
	15		404		20		631
	20		134		30		631
30	0	84	631		40		604
	5		631		50		506
	10		631		60		270
	15		511		65		61
	20		341		0		631
35	0	91	631	90	5	145	631
	5		631		10		631
	10		631		20		631
	15		627		30		631
	20		460		40		631
40	0	97	631		50		602
	5		631		60		459
	10		631		70		179
	15		631		75		
	20		524		0		631
45	0	103	631	100	5	153	631
	5		631		10		631
	10		631		20		631
	15		631		30		631
	20		607		40		631
50	0	108	631		50		622
	5		631		60		594
	10		631		70		412
	15		631		80		121
	20		631		0		631
50	25	108	588	120	5	158	631
	30		453		10		631
	35		300		20		631
	40		115		30		631
					40		631
					50		631
					60		612
					70		595
		80	523				
		90	309				
		100					

Mazzei Injector Corporation - Injector Performance Table									
Injector Model				2081					
Operating Pressure kg/cm2		Water Suction		Operating Pressure kg/cm2		Water Suction			
Injector Inlet	Injector Outlet	Motive Flow l/min	Water Suction LPH	Injector Inlet	Injector Outlet	Motive Flow l/min	Water Suction LPH		
0.35	0.00	130	2384	4.22	0.00	449	2387		
	0.07		2384		0.35		2387		
	0.14		2384		0.70		2387		
	0.21		812		1.05		2387		
	0.28		514		1.41		2387		
0.70	0.00	183	2384				2.11		2273
	0.14		2384		2.46		1925		
	0.35		1770		2.81		1441		
	0.49		565		3.16		820		
	0.56		114						
1.05	0.00	224	2387	4.92	0.00	485	2387		
	0.35		2359		0.35		2387		
	0.49		2182		0.70		2387		
	0.70		807		1.05		2387		
	0.84		290		1.41		2387		
1.41	0.00	259	2387				2.11		2002
	0.35		2387		2.81		1667		
	0.70		1772		3.16		1235		
	0.84		1130		3.52		538		
	1.05		574		3.87				
1.76	0.00	290	2387	5.62	0.00	518	2387		
	0.35		2387		0.35		2387		
	0.70		2372		0.70		2387		
	1.05		1529		1.05		2387		
	1.41		508		1.41		2387		
2.11	0.00	317	2387				2.11		2387
	0.35		2387		2.81		2287		
	0.70		2387		3.52		1915		
	1.05		1935		4.22		1020		
	1.41		1292		4.57		230		
2.46	0.00	343	2387	6.33	0.00	550	2387		
	0.35		2387		0.35		2387		
	0.70		2387		0.70		2387		
	1.05		2372		1.41		2387		
	1.41		1741		2.11		2387		
2.81	0.00	366	2387				2.81		2387
	0.35		2387		3.52		2278		
	0.70		2387		4.22		1736		
	1.05		1982		4.92		678		
	1.41		1493		5.27				
3.16	0.00	389	2387	7.03	0.00	579	2387		
	0.35		2387		0.35		2387		
	0.70		2387		0.70		2387		
	1.05		2387		1.41		2387		
	1.41		2296		2.11		2387		
3.52	0.00	410	2387				2.81		2387
	0.35		2387		3.52		2353		
	0.70		2387		4.22		2247		
	1.05		2387		4.92		1561		
	1.41		2296		5.62		457		
3.52	1.76	410	1921	8.44	0.00	598	2387		
	2.11		1292		0.35		2387		
	2.46		564		0.70		2387		
	0.00		2387		1.41		2387		
	0.35		2387		2.11		2387		
	0.70		2387		2.81		2387		
	1.05		2387		3.52		2387		
	1.41		2387		4.22		2317		
	1.76		2225		4.92		2253		
	2.11		1714		5.62		1980		
2.46	1135	6.33	1171						
2.81	436	7.03							

Mazzei Injector Corporation - Injector Performance Table							
Injector Model				2081			
Operating Pressure PSIG		Air Suction		Operating Pressure PSIG		Air Suction	
Injector Inlet	Injector Outlet	Motive Flow GPM	Air Suction SCFH	Injector Inlet	Injector Outlet	Motive Flow GPM	Air Suction SCFH
5	0	33	179	60	0	114	1180
	1		183		5		1090
	2		122		10		959
	3		120		15		730
	4		0		20		504
10	0	46	432		30		345
	2		352		35		235
	5		186		40		181
	7		120		45		140
	8						
15	0	57	504	70	0	123	1247
	5		393		5		1162
	7		182		10		1012
	10		157		15		808
	12				20		614
20	0	66	813		30		408
	5		457		40		254
	10		257		45		182
	12		192		50		163
	15		137		55		134
25	0	73	820	80	0	131	1283
	5		630		5		1261
	10		304		10		1098
	15		266		15		849
	20		147		20		672
30	0	80	844		30		518
	5		665		40		293
	10		379		50		264
	15		346		60		190
	20		162		65		161
35	0	87	959	90	0	139	1303
	5		840		5		1290
	10		512		10		1083
	15		423		20		782
	20		269		30		638
40	0	93	993		40		393
	5		935		50		341
	10		552		60		302
	15		465		70		221
	20		341		75		175
45	0	98	1022	100	0	147	1312
	5		988		5		1300
	10		653		10		1161
	15		475		20		940
	20		350		30		748
50	0	104	1036		40		576
	5		1020		50		437
	10		849		60		288
	15		696		70		235
	20		432		80		163
	25		264				
	30		206				
	35		139				
	40		101				

Mazzei Injector Corporation - Injector Performance Table							
Injector Model				2081			
Operating Pressure kg/cm2		Air Suction		Operating Pressure kg/cm2		Air Suction	
Injector Inlet	Injector Outlet	Motive Flow l/min	Air Suction l/min	Injector Inlet	Injector Outlet	Motive Flow l/min	Air Suction l/min
0.35	0.00	124	84	4.22	0.00	430	557
	0.07		86		0.35		514
	0.14		58		0.70		453
	0.21		57		1.05		345
	0.28		0		1.41		238
0.70	0.00	175	204		2.11		163
	0.14		166		2.46		111
	0.35		88		2.81		85
	0.49		57		3.16		66
	0.56		0		0.00		589
1.05	0.00	215	238	4.92	0.35	464	548
	0.35		186		0.70		478
	0.49		86		1.05		381
	0.70		74		1.41		290
	0.84		0		2.11		193
1.41	0.00	248	384		2.81		120
	0.35		216		3.16		86
	0.70		122		3.52		77
	0.84		91		3.87		63
	1.05		65		0.00		606
1.76	0.00	277	387	5.62	0.35	496	595
	0.35		298		0.70		518
	0.70		143		1.05		401
	1.05		126		1.41		317
	1.41		69		2.11		245
2.11	0.00	304	398		2.81		138
	0.35		314		3.52		125
	0.70		179		4.22		89
	1.05		163		4.57		76
	1.41		76		0.00		615
	1.76		0	0.35	609		
2.46	0.00	328	453	6.33	0.70	526	511
	0.35		396		1.41		369
	0.70		242		2.11		301
	1.05		200		2.81		186
	1.41		127		3.52		161
	1.76		92		4.22		143
2.81	0.00	351	469		4.92		104
	0.35		442		5.27		83
	0.70		260		0.00		619
	1.05		220		0.35		614
	1.41		161	0.70	548		
	1.76		125	1.41	444		
3.16	2.11	372	52	7.03	2.11	555	353
	0.00		482		2.81		272
	0.35		466		3.52		206
	0.70		308		4.22		136
	1.05		224		4.92		111
	1.41		165		5.62		77
	1.76		102		0.00		489
	2.11		70		0.35		481
2.46	0	0.70	401				
3.52	0.00	392	489		1.05		329
	0.35		481	1.41	204		
	0.70		401	1.76	125		
	1.05		329	2.11	97		
	1.41		204	2.46	66		
	1.76		125	2.81	48		
	2.11		97				