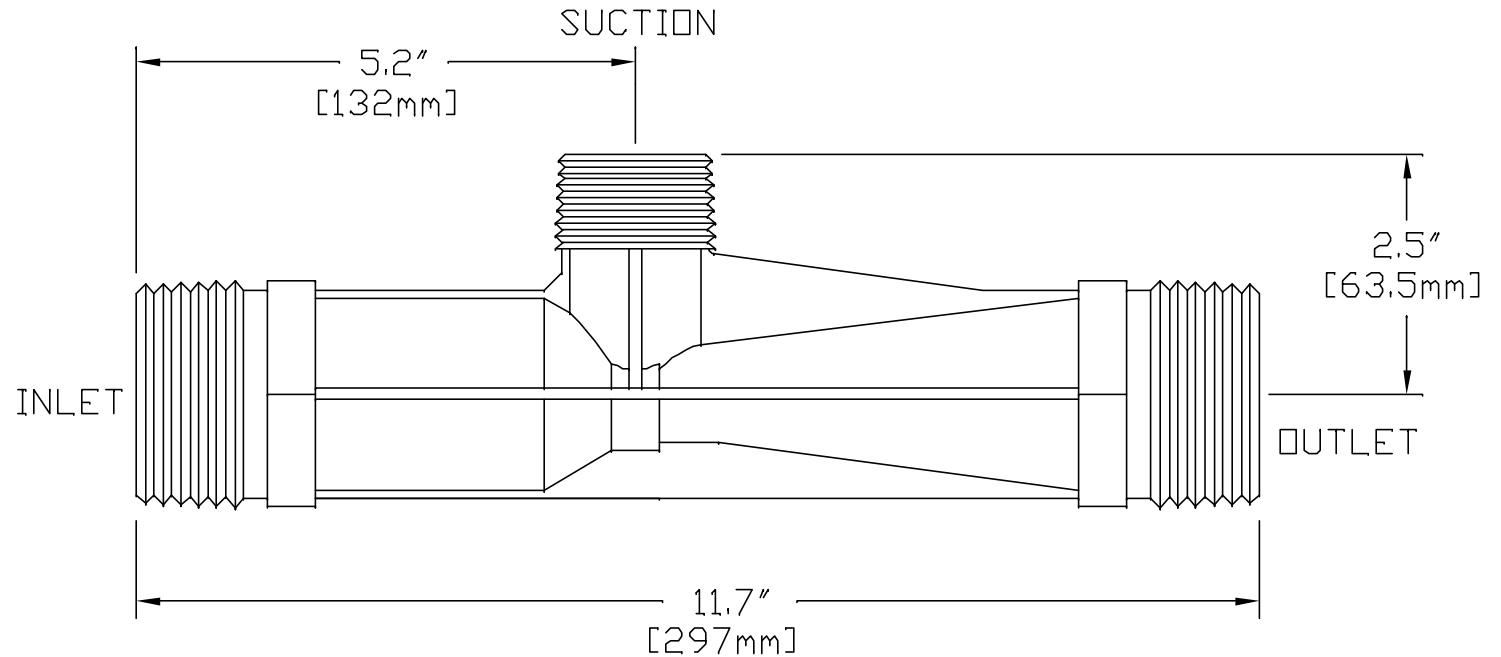


NOTES:

1. INLET AND OUTLET: 2" MNPT OR BSPT (ISO-R)
2. SUCTION PORT: 1.25" MNPT OR BSPT (ISO-R)
3. MATERIAL: GLASS REINFORCED POLYPROPYLENE OR PVDF (KYNAR)
4. MAXIMUM TEMPERATURE RATING:  
 POLYPROPYLENE: 150 F. (65.5 C.)  
 PVDF (KYNAR): 200 F. (93.3 C.)
5. MAXIMUM PRESSURE RATING AT 68 F. (20 C.)  
 POLYPROPYLENE: 150 PSIG (10.3 BAR)  
 PVDF (KYNAR): 200 PSIG (13.8 BAR)



Covered By United States Patent No. 5,863,128  
 International Patents Pending

**MIC**  
 mazzei injector corporation  
 Bakersfield, California, USA

DATE	12-19-00	TITLE	
DRAWN BY	JRM	MODEL 2083-X INJECTOR	
REVIEWED BY	RST	NUMBER	SIZE
SCALE	NONE	JRM-23	REV.
MATERIALS:	SEE NOTES	PAGE (1) OF (1)	

Mazzei Injector Corporation - Injector Performance Table											
Injector Model				2083X							
Operating Pressure PSIG		Water Suction		Operating Pressure PSIG		Water Suction					
Injector Inlet	Injector Outlet	Motive Flow GPM	Water Suction GPH	Injector Inlet	Injector Outlet	Motive Flow GPM	Water Suction GPH				
5	0	8.4	456.2	60	0	31.5	1350.1				
	1				5						
	2				10						
	3				15						
	4				20						
10	0	13.1	560.8		30						
	2				35						
	5				40						
	7				45						
	8										
15	0	16.1	671.5	70	0	33.8	1430.3				
	5				5						
	7				10						
	10				15						
	12				20						
20	0	18.9	757.0		30						
	5				40						
	10				45						
	12				50						
	15				55						
25	0	21.8	811.5	80	0	34.8	1454.3				
	5				5						
	10				10						
	15				15						
	20				20						
30	0	23.1	849.2		30						
	5				40						
	10				50						
	15				60						
	20				65						
35	0	24.4	853.4	90	0	36.6	1486.1				
	5				5						
	10				10						
	15				20						
	20				30						
40	0	26.4	897.3		40						
	5				50						
	10				60						
	15				70						
	20				75						
45	0	27.7	947.8	100	0	39.3	1447.7				
	5				5						
	10				10						
	15				20						
	20				30						
50	0	28.6	1175.0		120		0	43.2	1456.5		
	5						5				
	10						10				
	15						20				
	20						30				
				40							
				50							
				60							
				70							
				80							
				90							
				100							

Mazzei Injector Corporation - Injector Performance Table									
Injector Model				2083X					
Operating Pressure kg/cm2		Water Suction		Operating Pressure kg/cm2		Water Suction			
Injector Inlet	Injector Outlet	Motive Flow l/min	Water Suction LPH	Injector Inlet	Injector Outlet	Motive Flow l/min	Water Suction LPH		
0.35	0.00	31.8	1726.6	4.22	0.00	119.2	5110.0		
	0.07				0.35				
	0.14				0.70				
	0.21				1.05				
	0.28				1.41				
0.70	0.00	49.6	2122.6				2.11		
	0.14				2.46				
	0.35				2.81				
	0.49				3.16				
	0.56				0.00				
1.05	0.00	60.9	2541.5	4.92	0.35	127.7	5413.5		
	0.35				0.70				
	0.49				1.05				
	0.70				1.41				
	0.84				2.11				
1.41	0.00	71.5	2865.1				2.81		
	0.35				3.16				
	0.70				3.52				
	0.84				3.87				
	1.05				0.00				
1.76	0.00	82.5	3071.7	5.62	0.35	131.7	5504.6		
	0.35				0.70				
	0.70				1.05				
	1.05				1.41				
	1.41				2.11				
2.11	0.00	87.4	3214.3				2.81		
	0.35				3.52				
	0.70				4.22				
	1.05				4.57				
	1.41				0.00				
2.46	0.00	92.4	3230.1	6.33	0.35	138.5	5625.0		
	0.35				0.70				
	0.70				1.41				
	1.05				2.11				
	1.41				2.81				
2.81	0.00	99.9	3396.2				3.52		
	0.35				4.22				
	0.70				4.92				
	1.05				5.27				
	1.41				0.00				
3.16	0.00	104.8	3587.4	7.03	0.35	148.8	5479.5		
	0.35				0.70				
	0.70				1.41				
	1.05				2.11				
	1.41				2.81				
3.52	0.00	108.3	4447.2		8.44		3.52	163.5	5513.0
	0.35						4.22		
	0.70						4.92		
	1.05						5.62		
	1.41						0.00		
3.52	0.00	108.3	4447.2			0.35			
	0.35			0.70					
	0.70			1.41					
	1.05			2.11					
	1.41			2.81					
	1.76			3.52					
	2.11			4.22					
	2.46			4.92					
2.81		5.62							