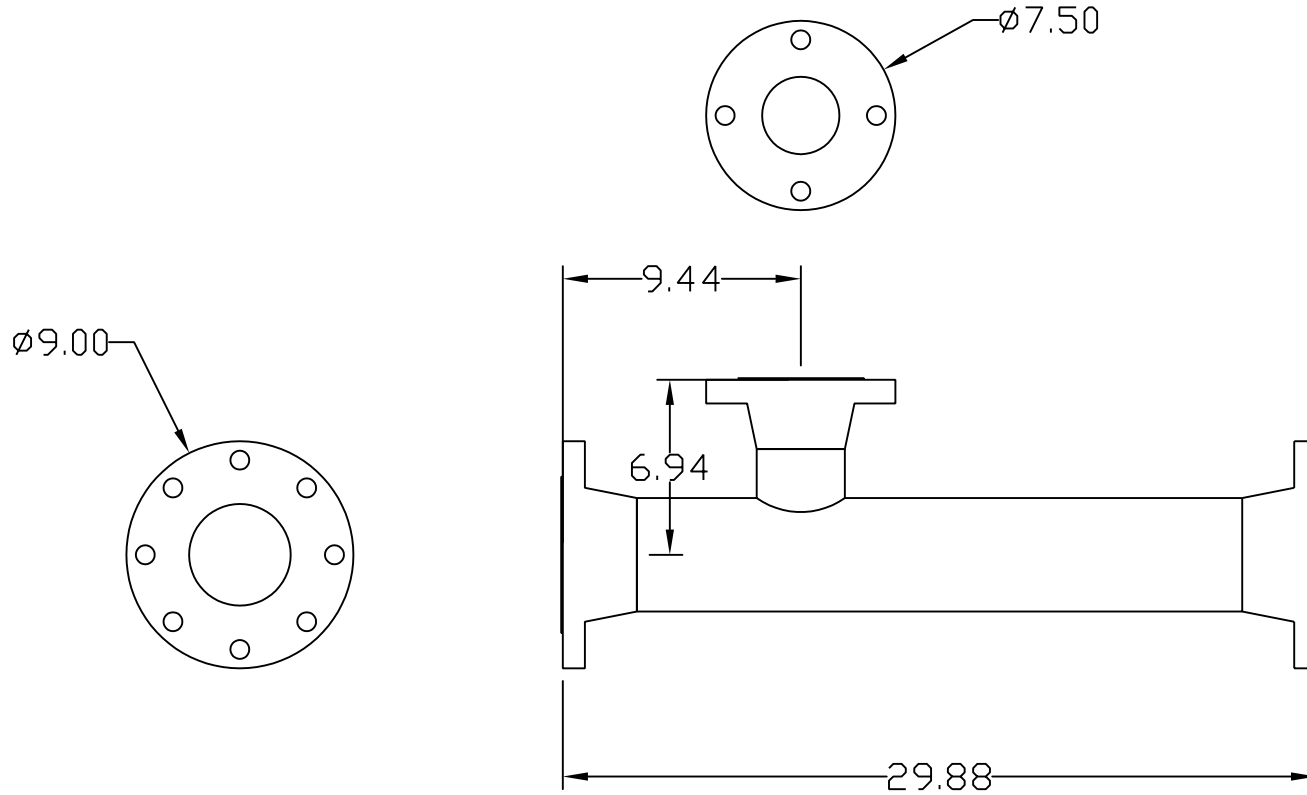



NOTES:

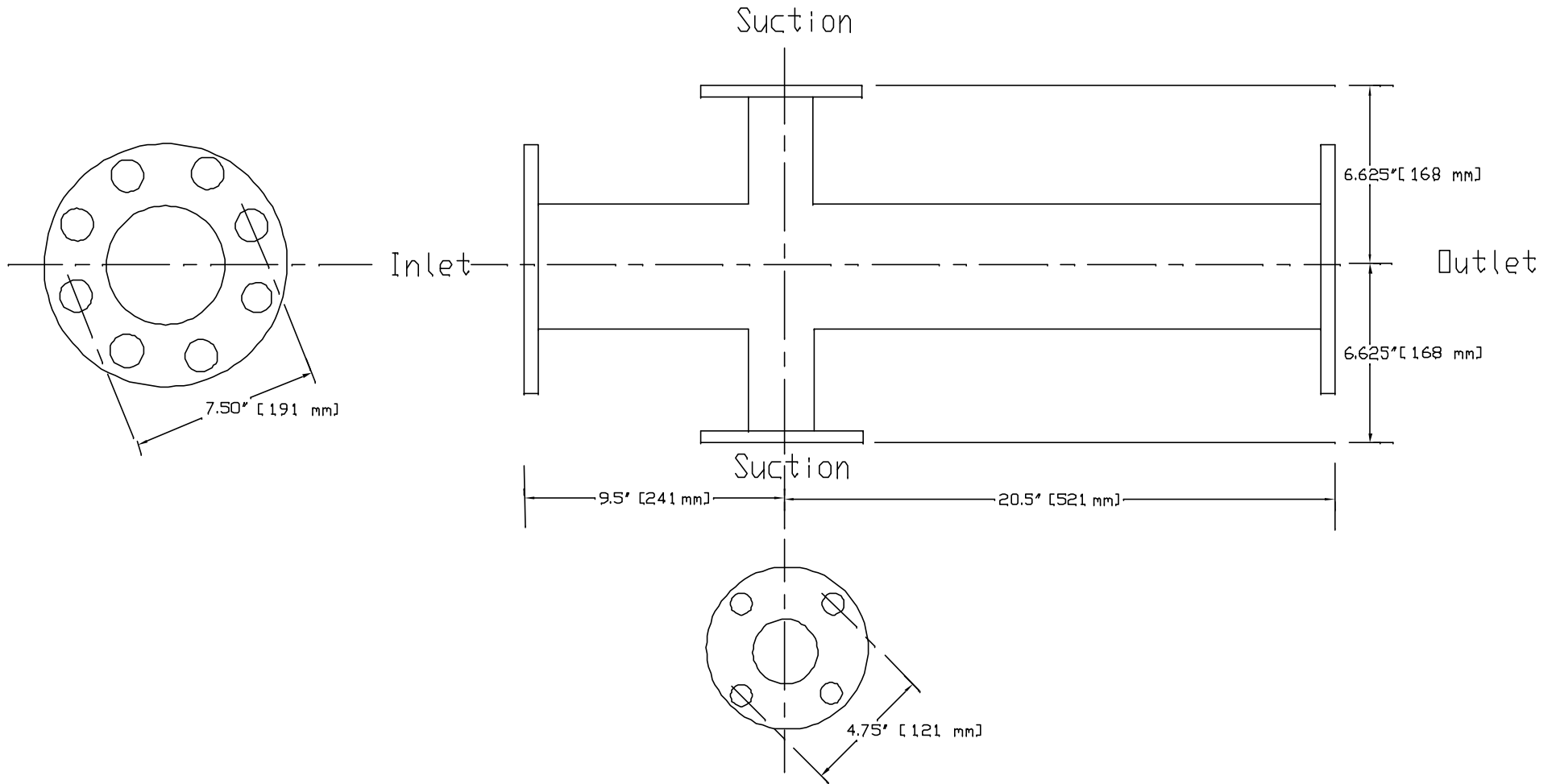
1. INLET AND OUTLET: 4" FLANGE 150# B16.5 SCH 40
2. SUCTION PORT: 3" FLANGE 150# B16.5 SCH 40
3. MATERIAL OF CONSTRUCTION: TYPE 316L STAINLESS STEEL



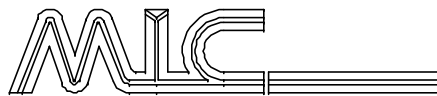
 mazzei injector corporation Bakersfield, California, USA	DATE	03-23-06	TITLE		SS-4091-F	
	DRAWN BY	JPB	Single 3" Suction		NUMBER	JPB-3-4091
	REVIEWED BY	RMM/JRJ	SIZE	REV.		
	SCALE	NTS				
MATERIAL: SEE NOTES		PAGE (1) OF (1)				

NOTES:

1. INLET AND OUTLET: 4" FLANGE 150 B16.5
2. DUAL SUCTION PORTS: 2" FLANGE 150 B16.5
3. MATERIAL OF CONSTRUCTION: TYPE 316L STAINLESS STEEL
4. BOLT HOLES: 4": EIGHT (8)-5/8", 2": FOUR (4)-5/8"



Covered By United States Patent No. 5,863,128  
International Patents Pending

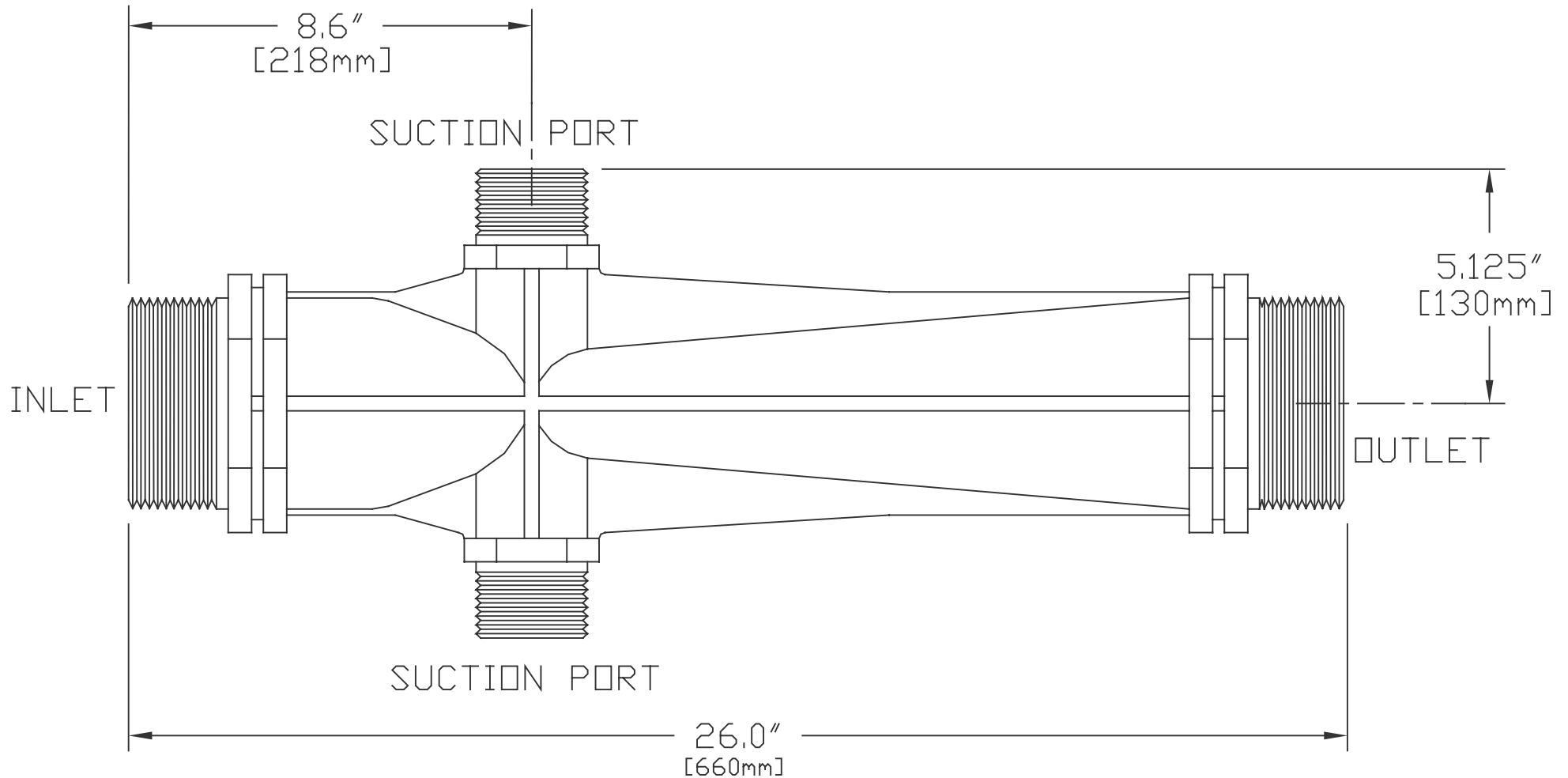


mazzei injector corporation  
Bakersfield, California, USA

DATE	12-21-00	TITLE	
DRAWN BY	JRM	MODEL 4091-SS INJECTOR	
REVIEWED BY	RST	NUMBER	SIZE
SCALE	NONE	JRM-25	REV.
MATERIALS:	SEE NOTES	PAGE (1) OF (1)	

NOTES:

1. INLET AND OUTLET: 4" MNPT OR 4" BSPT (ISO-R)
2. DUAL SUCTION PORTS: 2" MNPT OR 2" BSPT (ISO-R)
3. MAXIMUM TEMPERATURE RATING: 200 F. (93.3 C.)
4. MAXIMUM PRESSURE RATING: 130 PSIG (9.0 BAR), WITHOUT REINFORCEMENT
5. MAXIMUM PRESSURE RATING: 190 PSIG (13.1 BAR), WITH REINFORCEMENT PACKAGE
6. MATERIAL OF CONSTRUCTION: PVDF (KYNAR)



Mazzei Injector Co. products are manufactured and sold under one or more of the following U.S. Patents: 6,193,893; 6,173,526; 5,951,922; 5,894,995; 5,863,128; 5,674,312; 5,338,341; 4,917,304; 4,123,800 and corresponding foreign patents. Other U.S. and foreign patents pending.



Mazzei Injector Corporation  
500 Rooster Drive  
Bakersfield, California 93307 USA

DATE	12-14-00	TITLE	
DRAWN BY	JRM	INJECTOR MODEL 4091	
REVISED	6-28-02	NUMBER	JRM-1
REVISED BY	JRM	SIZE	REV.
SCALE	NONE	MATERIAL	SEE NOTES
		PAGE 1 OF 1	

Mazzei Injector Corporation - Injector Performance Table							
Injector Model				4091			
Operating Pressure PSIG		Water Suction		Operating Pressure PSIG		Water Suction	
Injector Inlet	Injector Outlet	Motive Flow GPM	Water Suction GPM	Injector Inlet	Injector Outlet	Motive Flow GPM	Water Suction GPM
5	0	170	35.0	60	0	460	47.0
	1		25.0		5		47.0
	2		20.0		10		47.0
	3		14.0		15		47.0
	4		6.0		20		47.0
10	0	214	47.0		30		47.0
	2		47.0		35		46.0
	5		31.0		40		42.0
	7		13.0		45		28.0
	8		4.0		70		0
15	0	251	47.0	5		46.0	
	5		47.0	10		46.0	
	7		38.0	15		46.0	
	10		12.0	20		46.0	
	12		6.0	30		46.0	
20	0	272	47.0	40		46.0	
	5		47.0	45		46.0	
	10		45.0	50		31.0	
	12		30.0	55		16.0	
	15		12.0	80	0	45.0	
25	0	307	47.0		5	45.0	
	5		47.0		10	45.0	
	10		47.0		15	45.0	
	15		33.0		20	45.0	
	20		7.0		30	45.0	
30	0	332	47.0		40	45.0	
	5		47.0		50	45.0	
	10		47.0		60	30.0	
	15		43.0		65	14.0	
	20		23.0	90	0	42.0	
25	4.0	5	42.0				
35	0	360	47.0		10	42.0	
	5		47.0		20	42.0	
	10		47.0		30	42.0	
	15		47.0		40	42.0	
	20		44.0		50	40.0	
40	25	24.0	60		39.0		
	0	382	47.0		70	28.0	
	5		47.0		75	14.0	
	10		47.0	100	0	42.0	
	15		47.0		5	42.0	
20	47.0		10		42.0		
25	31.0	20	42.0				
30	15.0	30	42.0				
45	0	402	47.0		40	42.0	
	5		47.0		50	42.0	
	10		47.0		60	42.0	
	15		47.0		70	39.0	
	20		47.0		80	15.0	
	25		47.0	120	0		
	30		40.0		5		
35	16.0	10					
50	0	416	47.0		20		
	5		47.0		30		
	10		47.0		40		
	15		47.0		50		
	20		47.0		60		
	25		47.0		70		
	30		44.0		80		
35	27.0	90					
40	6.0	100					

Mazzei Injector Corporation - Injector Performance Table							
Injector Model				4091			
Operating Pressure kg/cm2		Water Suction		Operating Pressure kg/cm2		Water Suction	
Injector Inlet	Injector Outlet	Motive Flow l/min	Water Suction LPM	Injector Inlet	Injector Outlet	Motive Flow l/min	Water Suction LPM
0.35	0.00	643	132.5	4.22	0.00	1741	177.9
	0.07		94.6		0.35		177.9
	0.14		75.7		0.70		177.9
	0.21		53.0		1.05		177.9
	0.28		22.7		1.41		177.9
0.70	0.00	810	177.9		2.11		177.9
	0.14		177.9		2.46		174.1
	0.35		117.3		2.81		159.0
	0.49		49.2		3.16		106.0
	0.56		15.1		0.00		174.1
1.05	0.00	950	177.9	0.35	174.1		
	0.35		177.9	0.70	174.1		
	0.49		143.8	1.05	174.1		
	0.70		45.4	1.41	174.1		
	0.84		22.7	2.11	174.1		
1.41	0.00	1030	177.9	2.81	174.1		
	0.35		177.9	3.16	174.1		
	0.70		170.3	3.52	117.3		
	0.84		113.6	3.87	60.6		
	1.05		45.4	0.00	170.3		
1.76	0.00	1162	177.9	0.35	170.3		
	0.35		177.9	0.70	170.3		
	0.70		177.9	1.05	170.3		
	1.05		124.9	1.41	170.3		
	1.41		26.5	2.11	170.3		
2.11	0.00	1257	177.9	2.81	170.3		
	0.35		177.9	3.52	170.3		
	0.70		177.9	4.22	113.6		
	1.05		162.8	4.57	53.0		
	1.41		87.1	0.00	159.0		
2.46	0.00	1363	177.9	0.35	159.0		
	0.35		177.9	0.70	159.0		
	0.70		177.9	1.41	159.0		
	1.05		177.9	2.11	159.0		
	1.41		166.5	2.81	159.0		
2.81	0.00	1446	177.9	3.52	151.4		
	0.35		177.9	4.22	147.6		
	0.70		177.9	4.92	106.0		
	1.05		177.9	5.27	53.0		
	1.41		177.9	0.00	159.0		
3.16	0.00	1522	177.9	0.35	159.0		
	0.35		177.9	0.70	159.0		
	0.70		177.9	1.41	159.0		
	1.05		177.9	2.11	159.0		
	1.41		177.9	2.81	159.0		
3.52	0.00	1575	177.9	3.52	159.0		
	0.35		177.9	4.22	147.6		
	0.70		177.9	4.92	56.8		
	1.05		177.9	5.62			
	1.41		177.9	0.00			
3.52	0.00	1575	177.9	0.35			
	0.35		177.9	0.70			
	0.70		177.9	1.41			
	1.05		177.9	2.11			
	1.41		177.9	2.81			
3.52	0.00	1575	177.9	3.52			
	0.35		177.9	4.22			
	0.70		177.9	4.92			
	1.05		177.9	5.62			
	1.41		177.9	7.03			
3.52	0.00	1575	177.9	0.00			
	0.35		177.9	0.35			
	0.70		177.9	0.70			
	1.05		177.9	1.41			
	1.41		177.9	2.11			
3.52	0.00	1575	177.9	2.81			
	0.35		177.9	3.52			
	0.70		177.9	4.22			
	1.05		177.9	4.92			
	1.41		177.9	5.62			
3.52	0.00	1575	177.9	6.33			
	0.35		177.9	7.03			
	0.70		177.9				
	1.05		177.9				
	1.41		177.9				

<b>Mazzei Injector Corporation, Injector Performance</b>											
<b>Injector Model</b>				<b>4091</b>							
Operating Pressure PSIG		Air Suction		Operating Pressure PSIG		Air Suction					
Injector Inlet	Injector Outlet	Motive Flow GPM	Air Suction SCFM	Injector Inlet	Injector Outlet	Motive Flow GPM	Air Suction SCFM				
5	1	131	19.2	40	1	371	47.6				
	2		17.4		5		40.4				
	3		15.7		10		31.6				
	4		10.3		15		21.8				
0 Suction	4.5	0.0	20		15.5						
10	1	186	30.5		0 Suction		25		11.3		
	2		21.8	30		9.0					
	5		15.8	35		0.0					
	7		14.5	45		1	394		51.9		
8	12.1	5	43.7								
0 Suction	8.8	0.0	10		37.1						
15	1	227	39.3		45	15		394	26.9		
	5		21.7	20		19.8					
	7		18.6	25		14.2					
	10		10.6	30		11.7					
20	12	263	6.5	0 Suction	35		10.0				
	13.1		0.0		38.9		0.0				
	25		1		294		37.9	50	1	415	52.3
			5				26.2		10		43.5
10		13.4	15	30.9							
12		11.7	20	22.2							
25	15	294	8.9	0 Suction	25		17.8				
	17.5		0.0		30		13.8				
	1		39.8		35		10.1				
	5		28.2		40		7.5				
30	10	322	19.4	60	43.1	455	0.0				
	15		10.6		1		65.4				
	20		7.9		10		57.3				
	25		7.3		20		38.4				
35	21.7	347	0.0	0 Suction	25		27.4				
	30		1		42.7		30	23.6			
			5		29.7		35	17.8			
			10		21.1		40	12.0			
15		15.4	45	8.6							
35	20	347	10.5	7/26/2004	51		0.0				
	25		7.3		<b>Copyright Mazzei Injector Corporation</b> <b>500 Rooster Dr Bakersfield CA USA</b> <b>661-363-6500 FAX 661-363-7500</b>						
	45.8										
	5		37.6								
10	29.9										
35	15	347	20.1	<b>Copyright Mazzei Injector Corporation</b> <b>500 Rooster Dr Bakersfield CA USA</b> <b>661-363-6500 FAX 661-363-7500</b>							
	20		13.1								
	25		10.3								
	30.5		0.0								
0 Suction	30.5		0.0	<b>Copyright Mazzei Injector Corporation</b> <b>500 Rooster Dr Bakersfield CA USA</b> <b>661-363-6500 FAX 661-363-7500</b>							

<b>Mazzei Injector Corporation, Injector Performance</b>										
<b>Injector Model</b>				<b>4091</b>						
Operating Pressure Kg/cm2		Air Suction		Operating Pressure Kg/cm2		Air Suction				
Injector Inlet	Injector Outlet	Motive Flow l/min	Air Suction l/min	Injector Inlet	Injector Outlet	Motive Flow l/min	Air Suction l/min			
0.352	0.070	497	543	2.812	0.070	1406	1349			
	0.141		494		0.352		1144			
	0.211		444		0.703		894			
	0.281		292		1.055		618			
0 Suction	0.316	0	1.406		439					
0.703	0.070	703	864		0 Suction		1.758	0	319	
	0.141		616	2.109		256				
	0.352		446	3.164	0.070	1491	1470			
	0.492		410				0.352	1236		
0 Suction	0.562	342	0.703	1051						
1.055	0.070	861	1112	0 Suction	2.735	0	761			
	0.352		614				1.055	562		
	0.492		528				1.406	403		
	0.703		301				1.758	331		
	0.844		183				2.109	283		
0 Suction	0.921	0	2.461	285						
1.406	0.070	994	1073	3.515	1572	0	1482			
	0.352		743				0.070	1232		
	0.703		380				0.703	874		
	0.844		331				1.055	630		
	1.055		251				1.406	505		
0 Suction	1.230	0	1.758	389						
1.758	0.070	1111	1128	0 Suction	3.030	0	285			
	0.352		798				2.812	212		
	0.703		550				4.219	1722	0.070	1852
	1.055		299						0.703	1621
	1.406		224						1.406	1087
0 Suction	1.526	0	1.758	777						
2.109	0.070	1217	1210	0 Suction	3.586	0	668			
	0.352		842				2.109	503		
	0.703		598				2.461	340		
	1.055		435				2.812	242		
	1.406		297				3.164			
	1.758		206							
0 Suction	1.828	0	<b>Copyright Mazzei Injector Corporation</b> <b>500 Rooster Dr Bakersfield CA USA</b> <b>661-363-6500 FAX 661-363-7500</b> 7/26/2004							
2.461	0.070	1315					1296			
	0.352						1064			
	0.703						847			
	1.055						568			
	1.406						372			
1.758	292									
0 Suction	2.144	0								