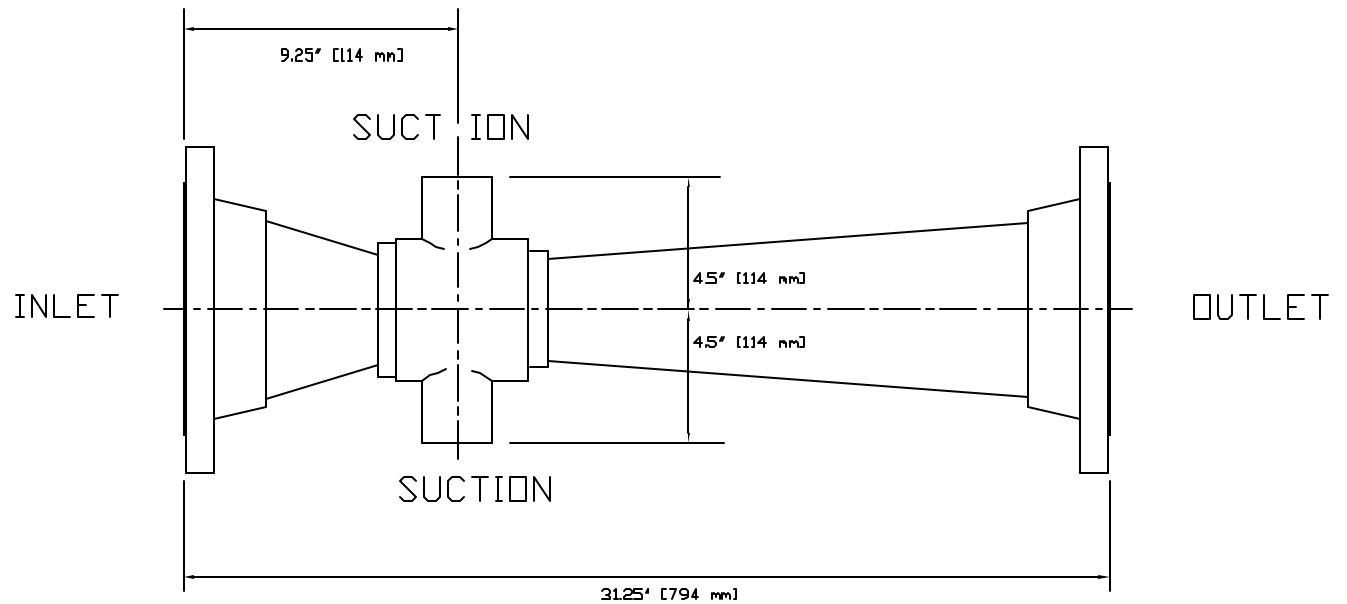
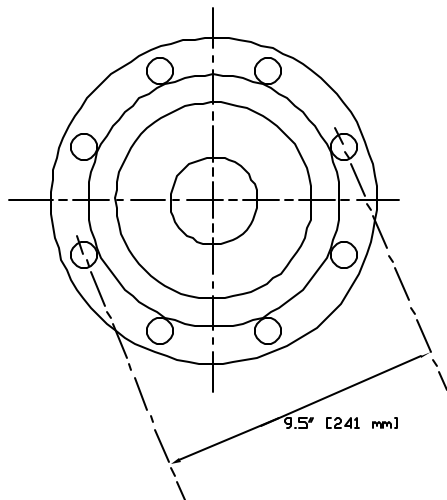
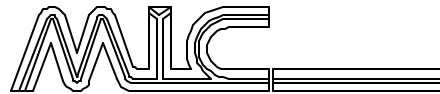


NOTES:

1. INLET AND OUTLET: 6" FLANGE 150# B16.5
2. DUAL SUCTION PORTS: 2" FEMALE NPT [50.8 mm]
3. MATERIAL OF CONSTRUCTION: TYPE 316L STAINLESS STEEL
4. BOLT HOLES: EIGHT (8) - 3/4" [19.1 mm]



Mazzei Injector Co. products are manufactured and sold under one or more of the following U.S. Patents: 6,193,893; 6,173,526; 5,951,922; 5894,995; 5,863,128; 5,674,312; 5,338,341; 4,917,304; 4,123,800 and corresponding foreign patents. Other U.S. and foreign patents pending.



mazzei injector corporation
Bakersfield, California, USA

DATE	12-21-00	TITLE	
DRAWN BY	JRM	MODEL 6094-SS INJECTOR	
REVISED	6-4-03	NUMBER	SIZE
REVISED BY	JRM	JRM-26	REV.
SCALE	NONE	MATERIALS: SEE NOTES	PAGE (1) OF (1)

Mazzei Injector Corporation			
Model 6094 Injector			
7/27/2004			
Operating Pressure		Performance	
Injector Inlet PSIG	Injector Outlet PSIG	Motive Flow GPM	Air Suction SCFM
10	0	516	71
	2		34.6
	3		23.6
	4		15.6
	5		8
	7.5		0
12	0	565	82.6
	2		46.6
	3		36.4
	4		23.6
	5		18.8
	7		2.4
	8.5		0
15	0	632	85.4
	2		67.4
	3		54
	4		42.4
	5		30.6
	7		17.2
	10		5.4
	12.5		0
20	0	729	95
	2		92.8
	3		83.8
	4		73.8
	5		69.2
	7		39.2
	10		17.4
	15		7.2
	16.5		0
25	1	815	123
	3		107
	5		90.2
	10		38.4
	15		22
	20		3.8
	22		0
30	1.5	893	135
	5		107
	10		60.2
	15		31.4
	20		15.6
	25		0
35	2.5	965	153
	5		131
	10		92.8
	15		53.2
	20		28.8
	25		13.4
	28		0

Copyright Mazzei Injector Corporation
500 Rooster Dr. Bakersfield CA 93307
ph 661-363-6500 FAX 661-363-7500