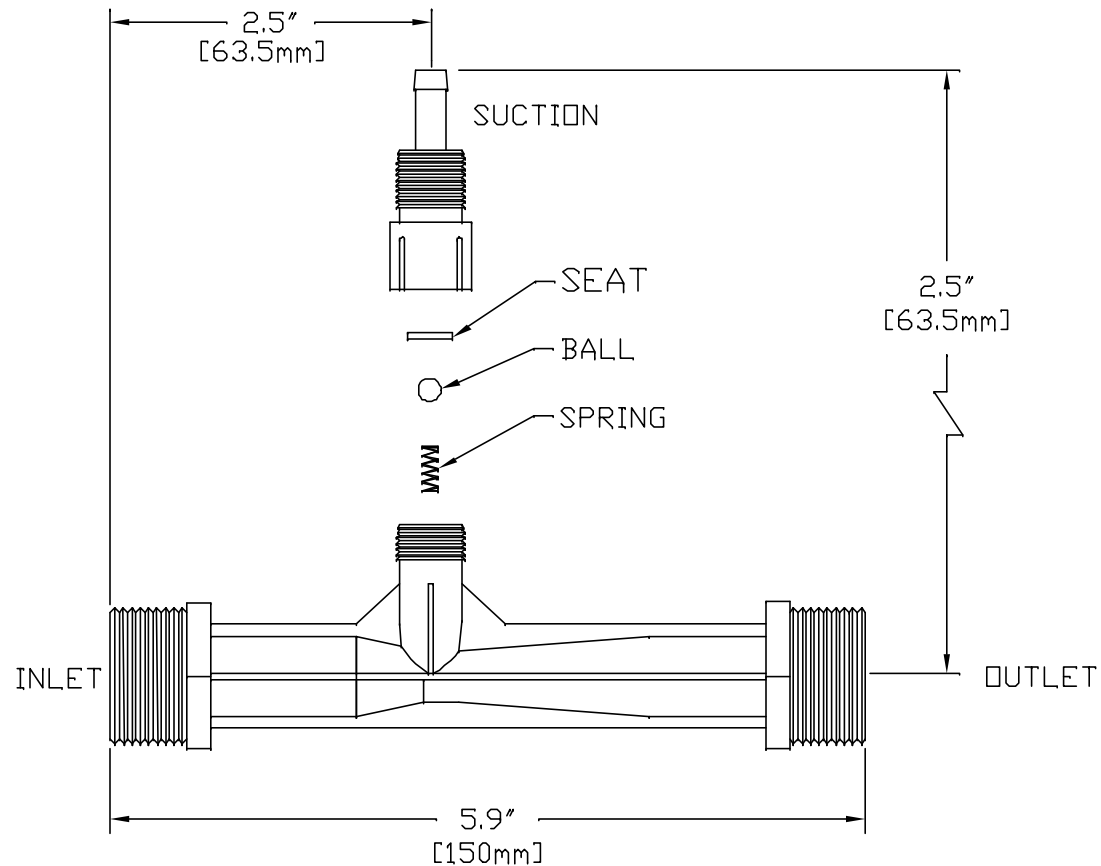


NOTES:

1. INLET AND OUTLET: 3/4" MNPT
2. SUCTION PORT: 1/4" (ID) TUBING BARB SHANK OR 1/4" MNPT
3. MATERIAL OF CONSTRUCTION: GLASS REINFORCED POLYPROPYLENE OR PVDF (KYNAR)
4. MAXIMUM TEMPERATURE RATING:
 - POLYPROPYLENE: 150 F. (65.5 C.)
 - PVDF: 200 F. (93.3 C.)
5. MAXIMUM PRESSURE RATING AT 68 F. (20 C.)
 - POLYPROPYLENE: 150 PSIG (10.3 BAR)
 - PVDF: 200 PSIG (13.8 BAR)



Covered By United States Patent No. 5,863,128
International Patents Pending

MLC
mazzei injector corporation
Bakersfield, California, USA

DATE	12-15-00	TITLE	
DRAWN BY	JRM	MODEL 784 INJECTOR	
REVIEWED BY	RST	NUMBER	REV.
SCALE	NONE	JRM-13	
MATERIALS: SEE NOTES		PAGE (1) OF (1)	

Mazzei Injector Corporation - Injector Performance Table							
Injector Model				784		7/23/04	
Operating Pressure PSIG		Water Suction		Operating Pressure PSIG		Water Suction	
Injector Inlet	Injector Outlet	Motive Flow GPM	Water Suction GPH	Injector Inlet	Injector Outlet	Motive Flow GPM	Water Suction GPH
5	0	4.5	35.9	60	0	15.6	31.3
	1		27.4		5		31.3
	2		19.3		10		31.2
	3		12.9		15		31.2
	4		2.1		20		31.3
10	0	6.4	35.1		30		31.2
	2		34.9		35		31.1
	5		23.7		40		30.8
	7		13.1		45		12.1
	8		5.0		70		0
15	0	7.8	34.0	5		31.1	
	5		33.7	10		31.2	
	7		33.3	15		31.2	
	10		19.5	20		31.3	
	12		2.3	30		31.2	
20	0	9.0	33.0	40		31.2	
	5		33.1	45		31.1	
	10		32.9	50		25.1	
	12		28.3	55		8.3	
	15		17.4	80	0	31.2	
25	0	10.1	32.3		5	31.2	
	5		32.2		10	31.0	
	10		32.2		15	31.1	
	15		32.3		20	31.1	
	20		0.0		30	31.1	
30	0	11.0	31.7		40	30.8	
	5		31.6		50	31.1	
	10		31.9		60	29.1	
	15		31.8		65	25.2	
	20		29.2	90	0	31.5	
25	0.0	5	31.5				
35	0	11.9	31.4		10	31.5	
	5		31.5		20	31.4	
	10		31.5		30	31.4	
	15		31.5		40	31.7	
	20		31.4		50	31.4	
40	25	15.9	60		31.1		
	0	12.8	31.2		70	30.2	
	5		31.4		75	19.1	
	10		31.4	100	0	31.0	
	15		31.4		5	30.4	
	20		31.5		10	30.4	
25	31.3		20		31.0		
30	12.1	30	31.0				
45	0	13.5	31.1		40	31.0	
	5		31.3	50	30.4		
	10		31.2	60	31.0		
	15		31.4	70	30.4		
	20		31.5	80	18.0		
	25		31.3	120	0	31.9	
	30		30.8		5	31.9	
35	7.5	10	31.9				
50	0	14.3	31.2		20	31.9	
	5		31.2		30	31.9	
	10		31.3		40	31.9	
	15		31.3		50	31.7	
	20		31.1	60	31.7		
	25		31.5	70	31.7		
	30		31.5	80	31.8		
	35		22.2	90	14.9		
40	9.1	100					

Mazzei Injector Corporation - Injector Performance Table							
Injector Model				784		7/23/04	
Operating Pressure kg/cm2		Water Suction		Operating Pressure kg/cm2		Water Suction	
Injector Inlet	Injector Outlet	Motive Flow l/min	Water Suction LPH	Injector Inlet	Injector Outlet	Motive Flow l/min	Water Suction LPH
0.35	0.00	17.1	136.0	4.22	0.00	59.1	118.4
	0.07		103.7		0.35		118.4
	0.14		73.1		0.70		118.2
	0.21		48.7		1.05		118.2
	0.28		7.9		1.41		118.4
0.70	0.00	24.1	132.7		2.11		118.2
	0.14		132.0		2.46		117.8
	0.35		89.7		2.81		116.5
	0.49		49.7		3.16		45.7
	0.56		19.0		0.00		117.6
1.05	0.00	29.6	128.8	0.35	117.6		
	0.35		127.7	0.70	118.0		
	0.49		126.0	1.05	118.0		
	0.70		74.0	1.41	118.4		
	0.84		8.8	2.11	118.0		
1.41	0.00	34.1	124.8	2.81	117.9		
	0.35		125.3	3.16	117.7		
	0.70		124.5	3.52	94.9		
	0.84		107.1	3.87	31.3		
	1.05		65.9	0.00	117.9		
1.76	0.00	38.2	122.3	0.35	118.0		
	0.35		121.8	0.70	117.3		
	0.70		121.9	1.05	117.6		
	1.05		122.2	1.41	117.6		
	1.41		0.0	2.11	117.6		
2.11	0.00	41.8	119.8	2.81	116.4		
	0.35		119.7	3.52	117.6		
	0.70		120.7	4.22	110.0		
	1.05		120.3	4.57	95.5		
	1.41		110.5	0.00	119.4		
2.46	0.00	45.2	118.8	0.35	119.4		
	0.35		119.3	0.70	118.8		
	0.70		119.1	1.41	118.8		
	1.05		119.4	2.11	120.0		
	1.41		118.9	2.81	118.8		
2.81	0.00	48.3	118.1	3.52	117.6		
	0.35		119.0	4.22	117.6		
	0.70		119.0	4.92	114.4		
	1.05		118.9	5.27	72.3		
	1.41		119.3	0.00	117.4		
3.16	0.00	51.2	117.7	0.35	115.1		
	0.35		118.4	0.70	115.1		
	0.70		118.2	1.41	117.4		
	1.05		118.7	2.11	117.4		
	1.41		119.1	2.81	117.4		
3.52	0.00	54.0	117.9	3.52	115.1		
	0.35		118.4	4.22	117.4		
	0.70		118.2	4.92	115.1		
	1.05		118.6	5.62	68.0		
	1.41		119.1	0.00	120.6		
4.22	0.00	59.1	132.7	0.35	120.6		
	0.14		132.0	0.70	120.6		
	0.35		89.7	1.41	120.6		
	0.49		49.7	2.11	120.6		
	0.56		19.0	2.81	120.0		
	0.00		128.8	3.52	120.0		
	0.35		127.7	4.22	119.9		
	0.49		126.0	4.92	119.9		
	0.70		74.0	5.62	120.5		
4.92	0.00	63.9	124.8	6.33	56.3		
	0.35		125.3	7.03	0.0		
	0.70		124.5				
	0.84		107.1				
	1.05		65.9				
	0.00		122.3				
	0.35		121.8				
	0.70		121.9				
	1.05		122.2				
5.62	0.00	68.3	119.8				
	0.35		119.7				
	0.70		120.7				
	1.05		120.3				
	1.41		110.5				
	0.00		118.8				
	0.35		119.3				
	0.70		119.1				
	1.05		119.4				
6.33	0.00	72.4	118.9				
	0.35		118.9				
	0.70		118.9				
	1.05		118.9				
	1.41		118.9				
	1.76		60.1				
	0.00		118.1				
	0.35		119.0				
	0.70		119.0				
7.03	0.00	76.3	118.1				
	0.35		119.0				
	0.70		119.0				
	1.05		118.9				
	1.41		119.3				
	1.76		118.4				
	2.11		45.8				
	0.00		117.7				
	0.35		118.4				
7.73	0.00	83.6	117.7				
	0.35		118.4				
	0.70		118.2				
	1.05		118.7				
	1.41		119.1				
	1.76		118.4				
	2.11		116.8				
	2.46		28.3				
	0.00		117.9				
8.44	0.00	83.6	117.9				
	0.35		117.9				
	0.70		118.3				
	1.05		118.6				
	1.41		117.7				
	1.76		119.0				
	2.11		119.3				
	2.46		84.1				
	2.81		34.3				

Mazzei Injector Corporation - Injector Performance Table							
Injector Model				784			
Operating Pressure PSIG		Air Suction		Operating Pressure PSIG		Air Suction	
Injector Inlet	Injector Outlet	Motive Flow GPM	Air Suction SCFH	Injector Inlet	Injector Outlet	Motive Flow GPM	Air Suction SCFH
5	0	4.3	11.7	60	0	14.9	59.4
	1		9.9		5		57.5
	2		4.8		10		49.4
	3		2.2		15		44.1
	4		1.0		20		35.0
10	0	6.1	19.4		30		15.5
	2		15.7		35		10.4
	5		5.7		40		8.1
	7		2.0		45		4.9
	8		0.9		0		60.0
15	0	7.5	28.9	5	59.8		
	5		16.5	10	54.7		
	7		8.8	15	49.7		
	10		4.1	20	46.4		
	12		1.9	30	22.3		
20	0	8.6	33.8	40	13.5		
	5		21.3	45	9.8		
	10		8.1	50	7.6		
	12		5.0	55	4.2		
	15		2.4	0	61.0		
25	0	9.6	40.1	5	60.1		
	5		29.1	10	58.0		
	10		14.0	15	54.1		
	15		3.3	20	51.7		
	20		0.0	30	34.1		
30	0	10.6	48.2	40	18.4		
	5		32.6	50	11.7		
	10		20.3	60	6.3		
	15		9.6	65	3.5		
	20		4.2	0	62.0		
35	0	11.4	46.5	5	62.0		
	5		38.1	10	61.7		
	10		29.8	20	56.2		
	15		15.2	30	48.2		
	20		8.2	40	25.3		
40	0	12.2	53.0	50	16.5		
	5		44.9	60	11.0		
	10		35.9	70	5.7		
	15		20.5	75	3.6		
	20		11.5	0	62.0		
45	0	12.9	56.5	5	62.9		
	5		48.2	10	61.5		
	10		38.6	20	58.3		
	15		29.1	30	52.7		
	20		15.0	40	35.7		
50	0	13.6	58.2	50	20.9		
	5		52.0	60	14.6		
	10		43.1	70	9.6		
	15		35.8	80	5.0		
	20		20.4	0	63.4		
50	25	13.6	13.6	5	63.6		
	30		9.3	10	63.2		
	35		6.0	20	62.6		
	40		2.8	30	57.3		
	50		0	13.6	58.2	40	55.1
			5		52.0	50	34.5
			10		43.1	60	22.6
			15		35.8	70	16.7
20		20.4	80		11.8		
25		13.6	90		7.3		
30		9.3	100		0.0		
35		6.0					

Mazzei Injector Corporation - Injector Performance Table							
Injector Model				784			
Operating Pressure kg/cm2		Air Suction		Operating Pressure kg/cm2		Air Suction	
Injector Inlet	Injector Outlet	Motive Flow l/min	Air Suction l/min	Injector Inlet	Injector Outlet	Motive Flow l/min	Air Suction l/min
0.35	0.00	16.3	5.5	4.22	0.00	56.6	28.0
	0.07		4.7		0.35		27.1
	0.14		2.3		0.70		23.3
	0.21		1.0		1.05		20.8
	0.28		0.5		1.41		16.5
0.70	0.00	23.1	9.2		2.11		7.3
	0.14		7.4		2.46		4.9
	0.35		2.7		2.81		3.8
	0.49		0.9		3.16		2.3
	0.56		0.4		0.00		28.3
1.05	0.00	28.3	13.6	0.35	28.2		
	0.35		7.8	0.70	25.8		
	0.49		4.2	1.05	23.4		
	0.70		2.0	1.41	21.9		
	0.84		0.9	2.11	10.5		
1.41	0.00	32.7	16.0	2.81	6.4		
	0.35		10.1	3.16	4.6		
	0.70		3.8	3.52	3.6		
	0.84		2.3	3.87	2.0		
	1.05		1.1	0.00	28.8		
1.76	0.00	36.5	18.9	0.35	28.4		
	0.35		13.8	0.70	27.4		
	0.70		6.6	1.05	25.5		
	1.05		1.6	1.41	24.4		
	1.41		0.0	2.11	16.1		
2.11	0.00	40.0	22.8	2.81	8.7		
	0.35		15.4	3.52	5.5		
	0.70		9.6	4.22	3.0		
	1.05		4.5	4.57	1.7		
	1.41		2.0	0.00	29.3		
2.46	0.00	43.2	21.9	0.35	29.3		
	0.35		18.0	0.70	29.1		
	0.70		14.1	1.41	26.5		
	1.05		7.2	2.11	22.8		
	1.41		3.9	2.81	11.9		
2.81	0.00	46.2	25.0	3.52	7.8		
	0.35		21.2	4.22	5.2		
	0.70		16.9	4.92	2.7		
	1.05		9.7	5.27	1.7		
	1.41		5.4	0.00	29.3		
3.16	0.00	49.0	26.7	0.35	29.7		
	0.35		22.7	0.70	29.0		
	0.70		18.2	1.41	27.5		
	1.05		13.7	2.11	24.9		
	1.41		7.1	2.81	16.9		
3.52	0.00	51.6	27.5	3.52	9.8		
	0.35		24.5	4.22	6.9		
	0.70		20.3	4.92	4.5		
	1.05		16.9	5.62	2.3		
	1.41		9.6	0.00	29.9		
4.22	0.00	56.6	9.2	0.35	30.0		
	0.14		7.4	0.70	29.8		
	0.35		2.7	1.41	29.6		
	0.49		0.9	2.11	27.0		
	0.56		0.4	2.81	26.0		
	0.70		0.0	3.52	16.3		
	0.84		0.0	4.22	10.7		
	1.05		0.0	4.92	7.9		
4.92	0.00	61.1	13.6	5.62	5.6		
	0.35		7.8	6.33	3.5		
	0.49		4.2	7.03	0.0		
	0.70		2.0	8.44			
	0.84		0.9				
	1.05		0.0				
	1.41		0.0				
	1.76		0.0				
5.62	0.00	65.3	18.9	0.00	28.3		
	0.35		13.8	0.35	28.2		
	0.70		6.6	0.70	25.8		
	1.05		1.6	1.05	23.4		
	1.41		0.0	1.41	21.9		
	0.00		22.8	2.11	10.5		
	0.35		15.4	2.81	6.4		
	0.70		9.6	3.52	4.6		
6.33	0.00	43.2	21.9	4.22	3.6		
	0.35		18.0	4.92	2.0		
	0.70		14.1	5.27			
	1.05		7.2	0.00	28.8		
	1.41		3.9	0.35	28.4		
	1.76		1.9	0.70	27.4		
	0.00		25.0	1.41	25.5		
	0.35		21.2	2.11	24.4		
7.03	0.00	46.2	25.0	2.81	8.7		
	0.35		21.2	3.52	5.5		
	0.70		16.9	4.22	3.0		
	1.05		9.7	4.57	1.7		
	1.41		5.4	0.00	29.3		
	1.76		3.4	0.35	29.3		
	2.11		1.5	0.70	29.1		
	0.00		26.7	1.41	26.5		
8.44	0.00	49.0	26.7	2.11	22.8		
	0.35		22.7	2.81	11.9		
	0.70		18.2	3.52	7.8		
	1.05		13.7	4.22	5.2		
	1.41		7.1	4.92	2.7		
	1.76		4.5	5.27	1.7		
	2.11		2.9	0.00	29.3		
	2.46		1.2	0.35	29.7		
8.44	0.00	51.6	27.5	0.70	29.0		
	0.35		24.5	1.41	27.5		
	0.70		20.3	2.11	24.9		
	1.05		16.9	2.81	16.9		
	1.41		9.6	3.52	9.8		
	1.76		6.4	4.22	6.9		
	2.11		4.4	4.92	4.5		
	2.46		2.8	5.62	2.3		
8.44	0.00	51.6	27.5	0.00	29.9		
	0.35		24.5	0.35	30.0		
	0.70		20.3	0.70	29.8		
	1.05		16.9	1.41	29.6		
	1.41		9.6	2.11	27.0		
	1.76		6.4	2.81	26.0		
	2.11		4.4	3.52	16.3		
	2.46		2.8	4.22	10.7		
8.44	0.00	51.6	27.5	4.92	7.9		
	0.35		24.5	5.62	5.6		
	0.70		20.3	6.33	3.5		
	1.05		16.9	7.03	0.0		
	1.41		9.6				
	1.76		6.4				
	2.11		4.4				
	2.46		2.8				
2.81	1.3						