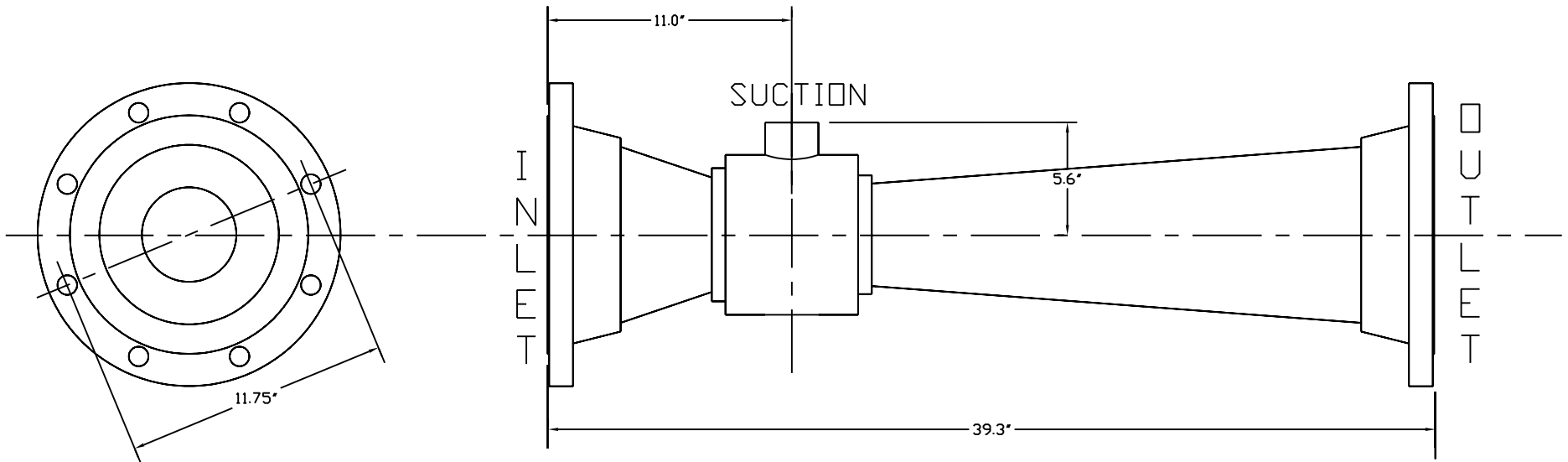


NOTES:

1. INLET AND OUTLET: 8" FLANGE 150 B16.5
2. SINGLE SUCTION PORT: 3" MNPT
3. MATERIALS OF CONSTRUCTION: TYPE 316L STAINLESS STEEL
4. BOLT HOLES: EIGHT (8) - 3/4"
5. INJECTOR WEIGHT: 118 LBS

NEW STYLE



Covered By United States Patent No. 5,863,128
international Patents Pending



mazzei injector corporation
Bakersfield, California, USA

DATE		TITLE	MODEL 8095-SS INJECTOR NEW STYLE	
DRAWN BY		NUMBER		SIZE
REVIEWED BY				REV.
SCALE	NONE			
MATERIALS: SEE NOTES		PAGE (1) OF (1)		

Mazzei Injector Corporation - Injector Performance Table							
Injector Model				8095			
Operating Pressure PSIG		Air Suction		Operating Pressure PSIG		Air Suction	
Injector Inlet	Injector Outlet	Motive Flow GPM	Air Suction CFM	Injector Inlet	Injector Outlet	Motive Flow GPM	Air Suction CFM
5	1	600	42	50	1	1899	207
	2		22		5		239
	3		10		10		173
	4.2		0		15		46
10	1	849	73		20		32
	3		28		25		21
	5		13		30		18
	7		7		35		15
	8.5		0		40		11
15	1	1040	112		42		0
	3		102		1		230
	5		32		5		266
	10		10		10		238
	12		7		15		66
20	1	1201	157		20		45
	3		129		25		32
	5		44	30	26		
	7		29	35	20		
	10		16	40	17		
	12		11	45	15		
	15		9	50	0		
	17		0	1	300		
25	1	1343	178	5	288		
	3		160	10	271		
	5		140	15	113		
	10		27	20	58		
	15		15	25	43		
	20		9	30	33		
	21.5		0	35	29		
30	1	1471	182	40	22		
	5		157	45	19		
	10		33	50	19		
	15		18	55	14		
	20		12	56	0		
	25.5		0	1	356		
35	1	1588	210	5	313		
	5		187	10	292		
	10		43	15	258		
	15		25	20	76		
	20		16	25	66		
	25		11	30	41		
	30		0	35	33		
40	0	1698	223	40	28		
	5		205	45	25		
	10		56	50	20		
	15		31	55	21		
	20		21	60	17		
	25		15	65	0		
	30		11	1	379		
45	1	1801	212	5	327		
	5		232	10	305		
	10		78	15	280		
	15		44	20	100		
	20		27	25	65		
	25		19	30	52		
	30		16	35	43		
	35		12	40	36		
	37		0	45	31		
					50	26	
			55	23			
			60	22			
			65	20			
			70	16			
			72	0			