

HUMIDITY TRANSMITTERS

- Please read these instructions before you begin installation.

TECHNICAL DATA

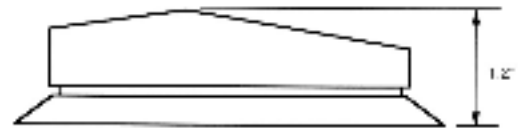
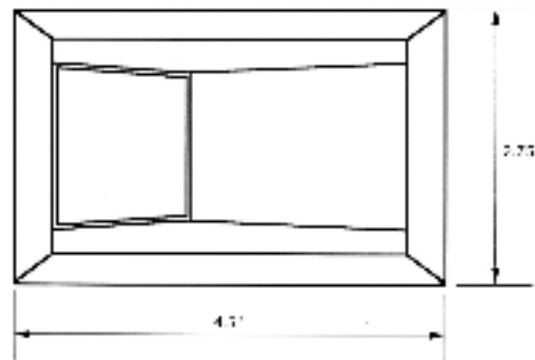
Range
 operating: 5 - 98% or 10 - 90% rH
 calibration: 0 - 100% rH
Accuracy
 2% or 3% at 25 degrees C or per certificate
Temperature Dependence
 0.2% rH per degree C
Response Time
 1 minute from 90% to 10% rH
Output
 4 to 20mA in 2-wire technology
Load
 250/500 ohms at 12 /24 VDC supply
Power Supply
 24 VDC +/- 15%
Operating/Storage Temperature
 0 to +60 C/-20 to +70 C for 0-100%rH, non-condensing
Medium
 Do not expose to vapors that attack plastic such as acetone

MODELS

HTC-D-420	3% duct humidity transmitter
HTC-S-420	3% space humidity transmitter
HTC-D-598	2% duct humidity transmitter
HTC-S-598	2% space humidity transmitter
HTTC-. . .-598	humidity and temperature transmitter
-10K	with 10K thermistor option
-100	with 100 ohm platinum RTD option

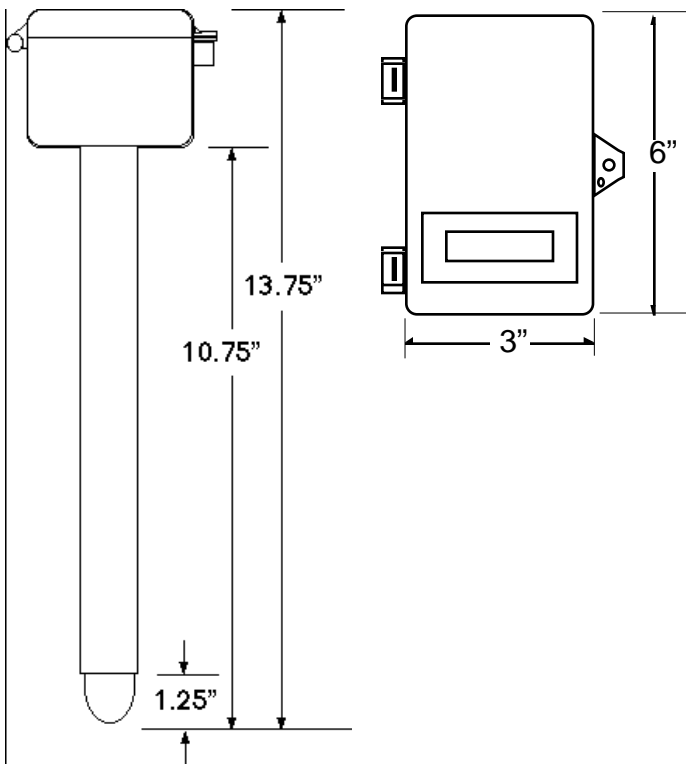
DIMENSIONS SPACE TRANSMITTER

TOP VIEW

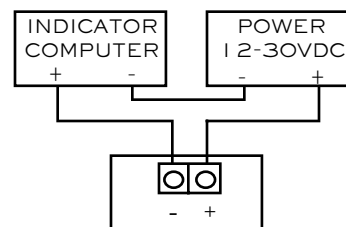


SIDE VIEW

DIMENSIONS DUCT TRANSMITTER



WIRING



INSTALLATION OPERATION