

6700 1/16 DIN Limit Alarm Unit



The FUZYPRO 6700 provides a programmable safety cut out with optional outputs for annunciators and alarms.

A latched relay cuts power to the process if it exceeds the safe value.

The unit must be reset before the process can continue. - High or low trip-

Exceed & relay indicators- 5 amp latched relay- Configuration via PC-

Remote reset option- RS485 comms 2 Annunciators or alarms PV retransmit option

Technical Data

Features

Output Configuration Up to 3 Total. 1 latching trip relay, max 2 alarms relays,

max 1 DC linear retransmit (PV or limit value) Alarm 1 & 2 Types Process high, process low, setpoint deviation, band, logical OR alarms or trip annunciator. Limit Action Latching relay output when PV exceeds set value. Selectable for high or low trip activation. Output Reset

ActionLimit output can be reset only when exceed condition is absent. Local or remote reset options. Annunciator Reset Action Annunciator output can be reset at any time. Local or remote reset options. Human Interface 4 button operation, dual 4 digit 10mm & 8mm high LED displays. Exceed, output & alarm indicators PC Configuration Off-line configuration from serial port to dedicated config socket (comms option not required)

Input

Thermocouple J, K, R, S, T, B, L, & N. RTD3 Wire PT100, 50W per lead maximum

DC Linear 0-20/4-20mA, 0-50/10-50mV, 0-5/1-5/0-10/2-10V. Scaleable -1999 to 9999, dec point available Impedance >100MW for Thermocouple and mV ranges,

47KW for V ranges and 4.7W for mA ranges Accuracy +/- 0.25% of input span +/- 1 LSD (T/C CJC better than 0.7°C) Sampling 4 per second,

14 bit resolution approximately Sensor Break Detection <2 secs (except zero based DC ranges), control O/P's turn off, high alarms activate for T/C and mV ranges, low alarms activate for RTD, mA or V ranges.

Outputs & Options

Limit Trip Relay Contacts SPDT 5Amp resistive at 240V AC, >100,000 operations Alarm

Relays Contacts SPDT 2Amp resistive at 240V AC, >500,000 operations Retransmit Outputs 0-20/4-20mA into 500W max, 0-10/0-5V into 500W min. Accuracy typically +/- 0.25%

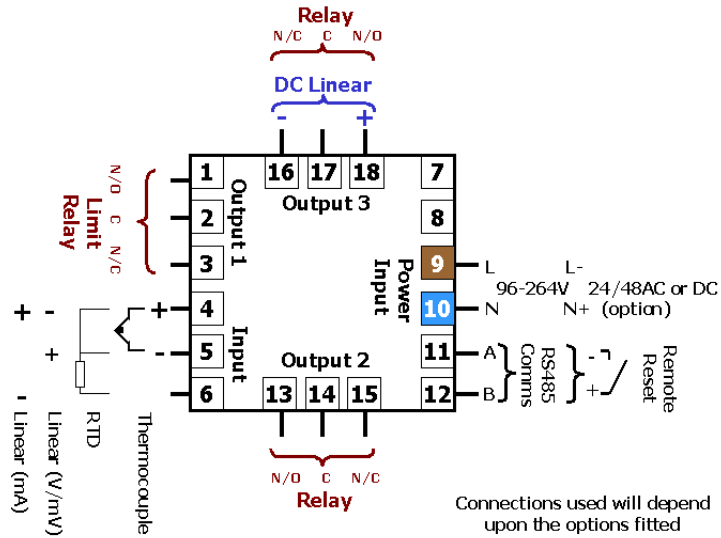
Communications 2 Wire RS485, 1200 to 9600 Baud, West ASCII Remote reset option

Allows remote latched relay and annunciator reset, using volt free or TTL input (Reset = 0.6 to 0.8V, or contact closure)

Operating & Environmental Temperature & RH 0 to 55°C (-20 to 80°C storage),

20% to 95%RH non-condensing Power Supply 100 to 240V 50/60Hz (optional

20 to 55V AC/22 to 65V DC), approx 4 Watts Front Panel Protection IEC IP66 (Behind panel protection is IP20) Approvals and Certification CE, UL & ULc & FM



6700-x-x-x-x-xx
Input type Options and Power Supply
 3 Wire RTD or DC mV
 100 No Options/
 100-240V AC line supply
 Thermocouple
 202 No Options/
 24-48V AC or DC line supply
 DC mA
 310 RS485 Comms/
 100-240V AC line supply
 DC Voltage
 412 RS485 Comms/
 24-48V AC or DC supply
 30 Remote Reset/
 100-240V AC line supply
 32 Remote Reset /
 24-48V AC or DC supply
Output 1 Output 3
 Limit Relay
 10 Not fitted
 1 Relay Alarm
 1 or Annunciator
 3 DC 0-10V Re-Transmit
 PV or SP
Output 2 4 DC 0-20mA
 Re-Transmit PV or SP
 Not fitted
 05 DC 0-5V Re-Transmit
 PV or SP
 Relay Alarm 2 or Annunciator
 17 DC 4-20mA Re-Transmit
 PV or SP

In accordance with our policy of continuous improvement, we reserve the right to change specifications from those shown in this document.