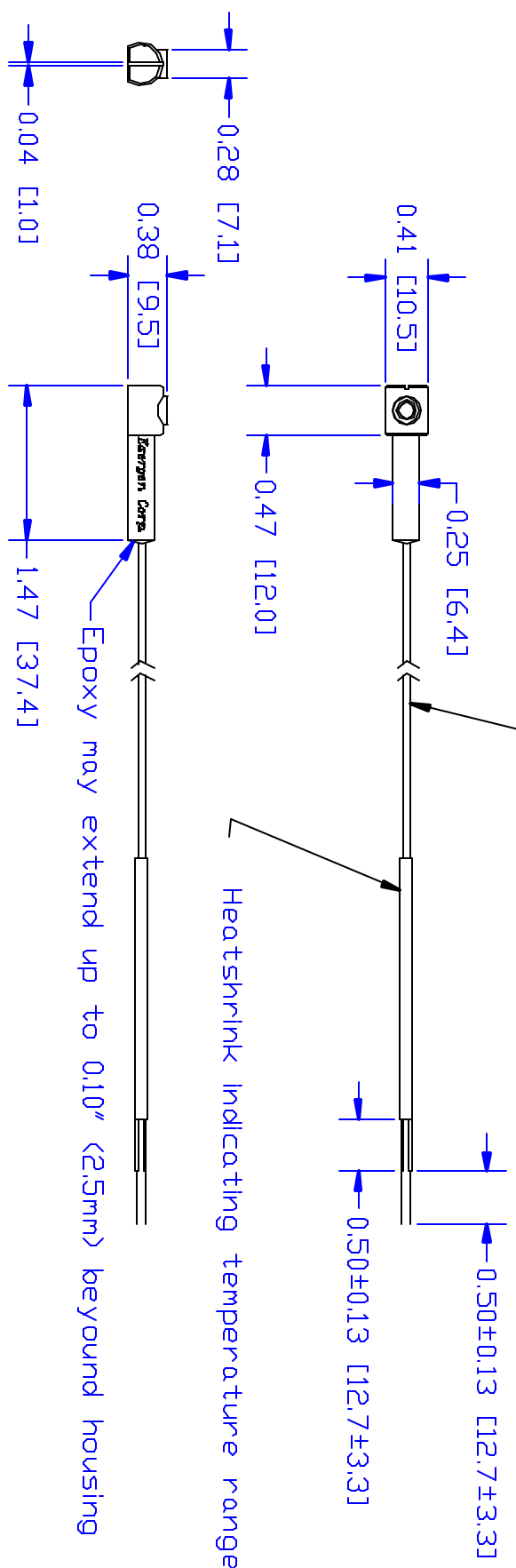


THE INFORMATION CONTAINED HEREIN IS THE PROPERTY OF EXERGEN CORPORATION. IT IS TO BE KEPT CONFIDENTIAL AND NOT TO BE REPRODUCED, COPIED, DISSEMINATED, OR TRANSMITTED IN ANY FORM OR BY ANY MEANS, ELECTRONIC OR MECHANICAL, INCLUDING PHOTOCOPYING, RECORDING, OR BY ANY INFORMATION STORAGE AND RETRIEVAL SYSTEM, WITHOUT THE WRITTEN PERMISSION OF EXERGEN CORPORATION.

All dimensions are typical



Standard cable length is 3 feet (0.91 meters)
 Custom lengths are available upon request.
 See note 2.

Heatshrink indicating temperature range

Epoxy may extend up to 0.10" (2.5mm) beyond housing

- Notes:
1. Wire Typically K type thermocouple wire, Teflon Neoflon PFA insulation (both inner and outer) 24 AWG, 7 x 32 AWG strands. Nominally sized 0.063 x 0.102 (1.6 x 2.6 mm)

REVISIONS					
REV	ZONE	DESCRIPTION	ECO	DATE	APPROVED
1		Release	2/18/4	3/9/03	

USER'S OFFERING NUMBER DRAWING NUMBER IN HOUSE		EXERGEN CORPORATION	
TITLE: Outline micro SV	CHK: DR B. Duron	SIZE: B	DRAWING NO.: 900100
MATERIAL: NA	APPD: APPD:	SCALE: 1:1	REV.: 1
FINISH: NA		SHEET: 1	OF 1